



Switch Your Swivel!

STAINLESS STEEL

Hydraulic Live Swivels



Inline & 90° Swivels

304 & 440c Stainless Steel

Heavy Duty Ball Bearing, Rebuildable Design



Super Swivels® was established in 1986. We manufacture heavy-duty, leak free, live swivels at a competitive price.

We maintain a large inventory, which allows us to provide exceptional service. Our heat treating process allows us to offer higher working pressure ratings. Super Swivels® are manufactured from Carbon Steel or 304 and 440c Stainless Steel and we offer a wide variety of seal options.

Super Swivels are used in a wide variety of applications, i.e. hose reels, hydraulic log loaders, paint equipment, automatic car washes, wrecker trucks, horizontal directional drilling, machine tool indexers, hydraulic wheel motors, hot tar applicators, robotics, power line equipment, railroad equipment, and mining equipment, to mention a few.



Automatic Car Wash Industry

Inline and 90° Swivels
Heavy Duty Rebuildable Swivels
Ball Bearing Design



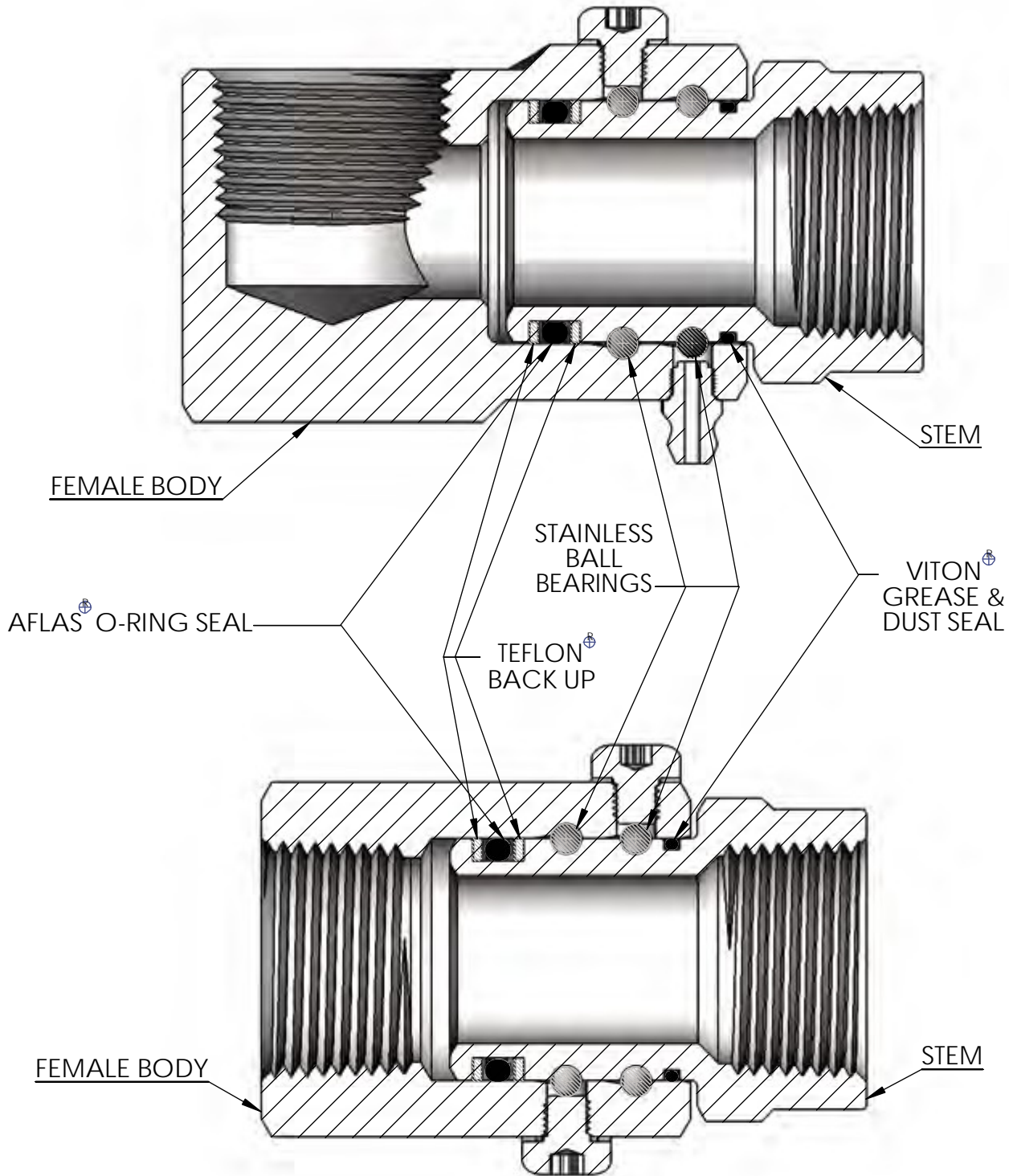
SWITCH YOUR SWIVEL!®



304 & 440c Stainless Steel Inline & 90° Hydraulic Swivels

Cross Sectional Drawings	Page 2-4
How To Order	Page 5
Options	Page 6
Seal Compatibility Chart	Page 7
Pressure Drop Charts	Page 8-9
Rotating Torque Verses Pressure Chart	Page 10
R.P.M. Verses P.S.I. Chart	Page 10
Inline Swivels	Page 11-15
Female Pipe (N.P.T.F.) x Female Pipe (N.P.T.F.)	Page 12-13
Male Pipe (N.P.T.F.) x Female Pipe (N.P.T.F.)	Page 14-15
90° Swivels	Page 17-21
Female Pipe (N.P.T.F.) x Female Pipe (N.P.T.F.)	Page 18-19
Male Pipe (N.P.T.F.) x Female Pipe (N.P.T.F.)	Page 20-21
Rebuilding Kits	Page 22
Description/Item Cross Reference List.....	Page 23
Warranty	Page 25

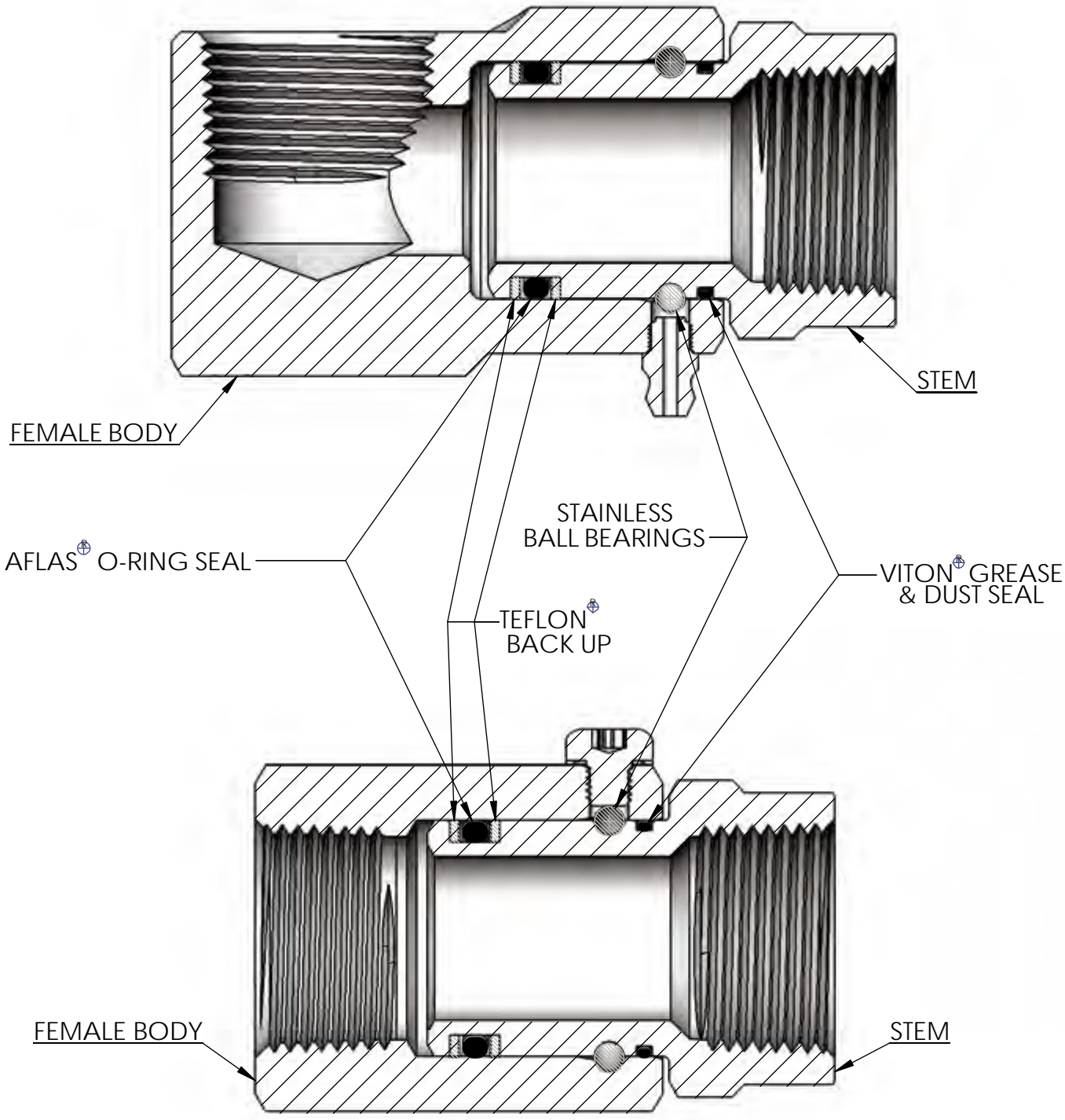
Cross Sectional Drawings



304 Stainless Steel for Corrosive Media Applications

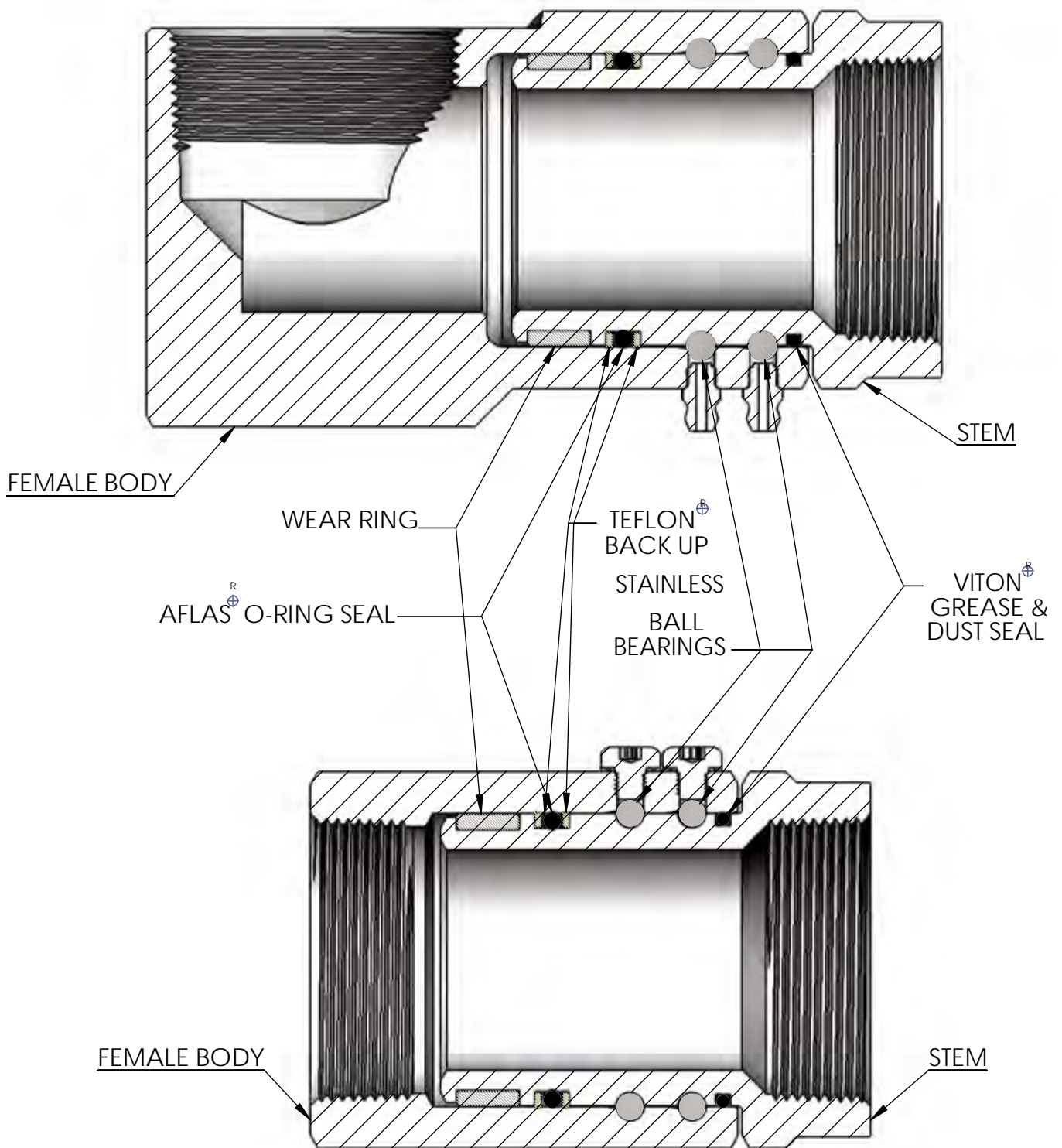
- Size #4 Uses a Single Ball Bearing
- Sizes #8 Through #20 Uses a Double Ball Bearing
- Sizes #24 and #32 Uses a Triple Ball Bearing

Cross Sectional Drawings



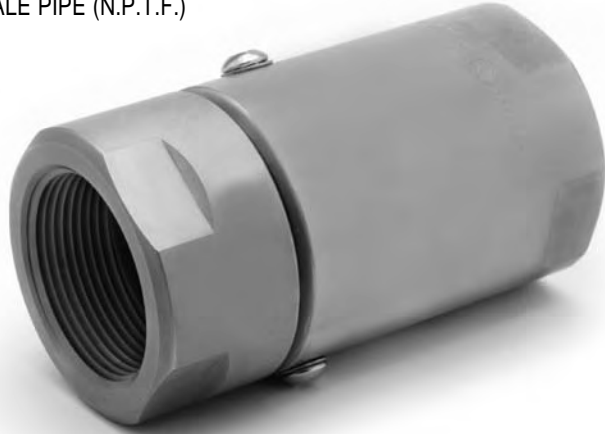
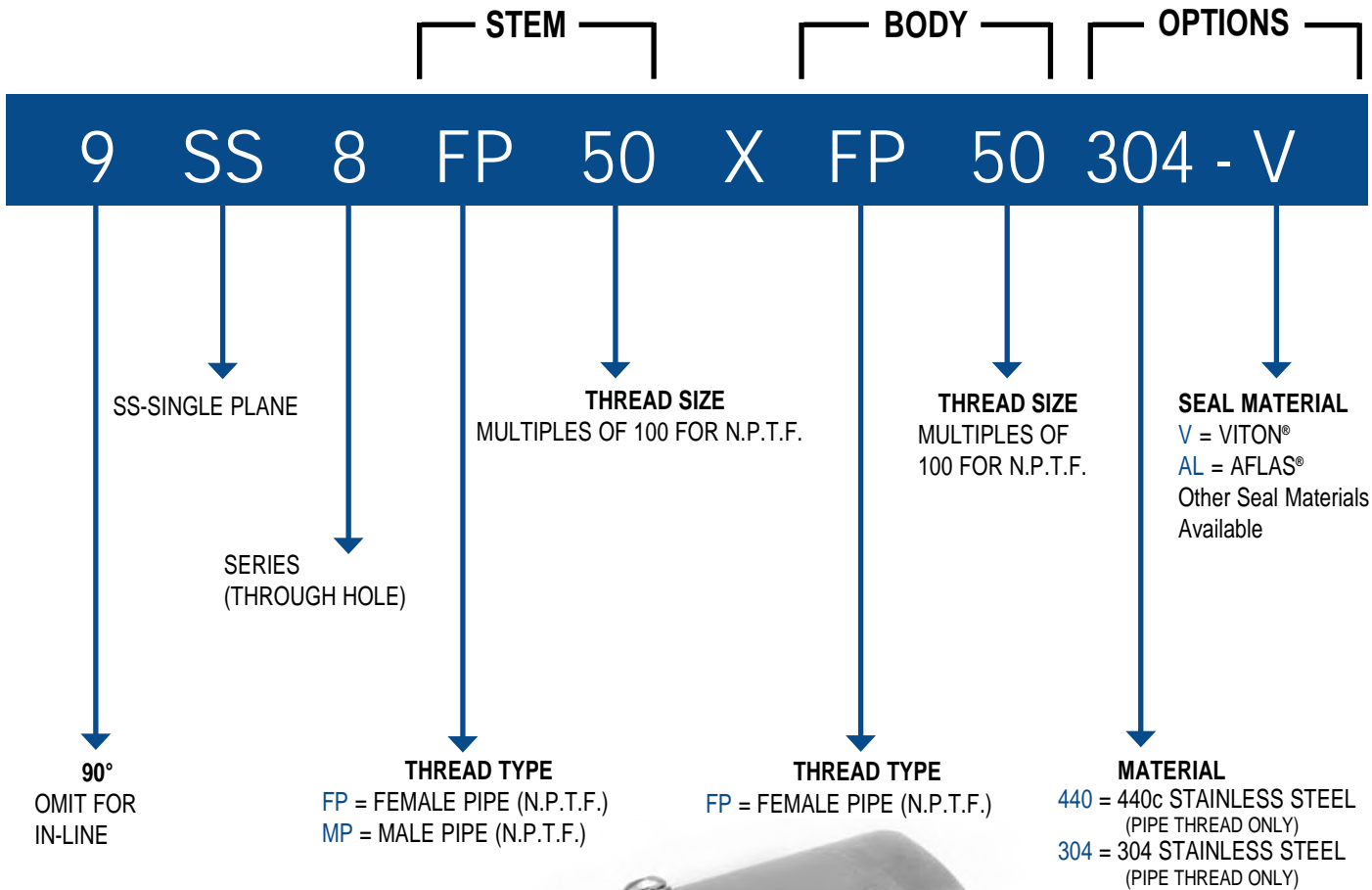
440c Stainless Steel for Mild Corrosive Media Applications
Sizes 4 through 16

Cross Sectional Drawings



440c Stainless Steel for Mild Corrosive Media Applications
Sizes 20 through 32

HOW TO ORDER



REBUILDING KITS ARE AVAILABLE FOR ALL SWIVELS. SEE WEB SITE.

WHEN ORDERING PLEASE SPECIFY PRESSURE, TYPE OF MEDIA, OR OXYGEN USE.

SUPER SWIVELS® ARE NOT RECOMMENDED FOR BREATHING AIR OR STEAM.

ALL STAINLESS STEEL SWIVELS HAVE A 4 TO 1 PROOF PRESSURE.

Options

Base Material

Super Swivels are manufactured from Carbon Steel or 304 and 440c Stainless Steel.

304 Stainless Steel (304) is recommended for low pressure corrosive environments.

440c Stainless Steel (SS) is a martensitic, high carbon, magnetic stainless steel, heat-treated to maintain a high-pressure rating. Not as corrosion resistant as 300 Series Stainless Steel.

Seal Material

(V) Viton® (Fluorocarbon) – For most petroleum based applications. (-15°F to 250°F)

(AL) Aflas® (Tetrafluoroethylene-propylene copolymer)

– Better resistance to many individual chemicals.

For service in high temperature environments.

(Low temperature limitations.)

(+32°F to 400°F)

Other seals available upon request:

Buna, EPR, Neoprene and Kalrez®.

Please specify oxygen use when ordering. Super Swivels are not recommended for breathing air or steam.



Seal Compatibility Chart

FLUIDS	VITON® (HYTREL® back-up) 25 in/Hg-5000 P.S.I. MAX* -15°F TO 250°F	AFLAS® (TEFLON® back-up) 25 in/Hg-5000 P.S.I. MAX* +32°F TO 400°F
automatic transmission fluids	A	A
acetone	C	C
air	A	A
asphalt	B	A
benzene	A	B
brake fluid (glycol)	C	A
brake fluid (mineral)	C	A
brake fluid (silicone)	C	A
carbon tetrachloride	A	C
engine oil (sf, sf cd)	A	A
ethylene glycol	A	A
FREON®	C	C
hydraulic fluids (petroleum)	A	A
hydrochloric acid	B	A
methyl ethyl ketone	C	C
naphtha	A	A
oxygen ¹ (gaseous)	A	A
power steering fluid	C	A
salt water	B	A
SKYDROL 500 B4®	C	B
soap solutions	C	A
sulfuric acid	A	A
toluene	A	C
trichlorethylene	A	C
urethane	C	A
water	C	A

A=Satisfactory
B=Fair
C=Unsatisfactory



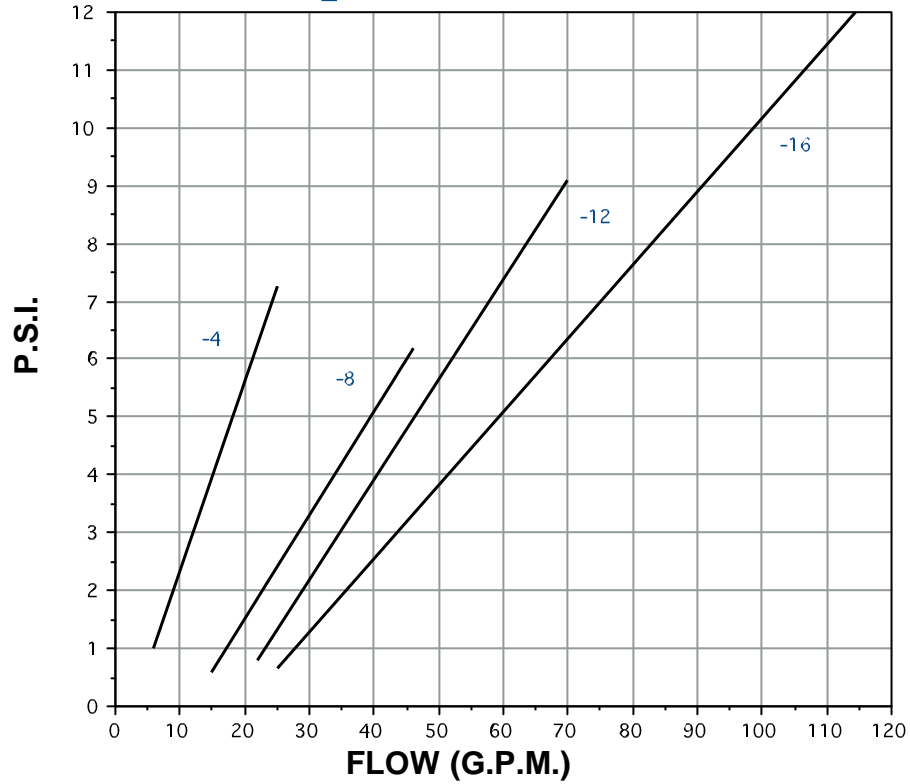
*2500 P.S.I. MAX PNEUMATIC

This chart is only a guide, several factors should be considered when selecting a sealing compound.

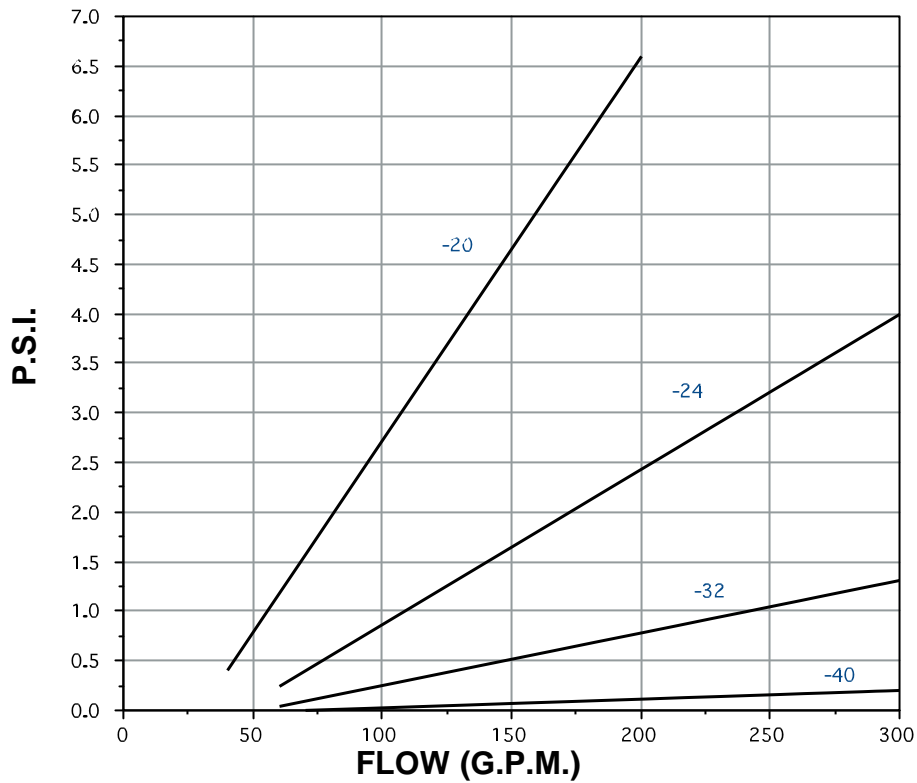
Note 1. Please specify oxygen use when ordering. Super Swivels® are not recommended for breathing air.

Not recommended for steam.

Pressure Drop "SS" Inline #4 - #16

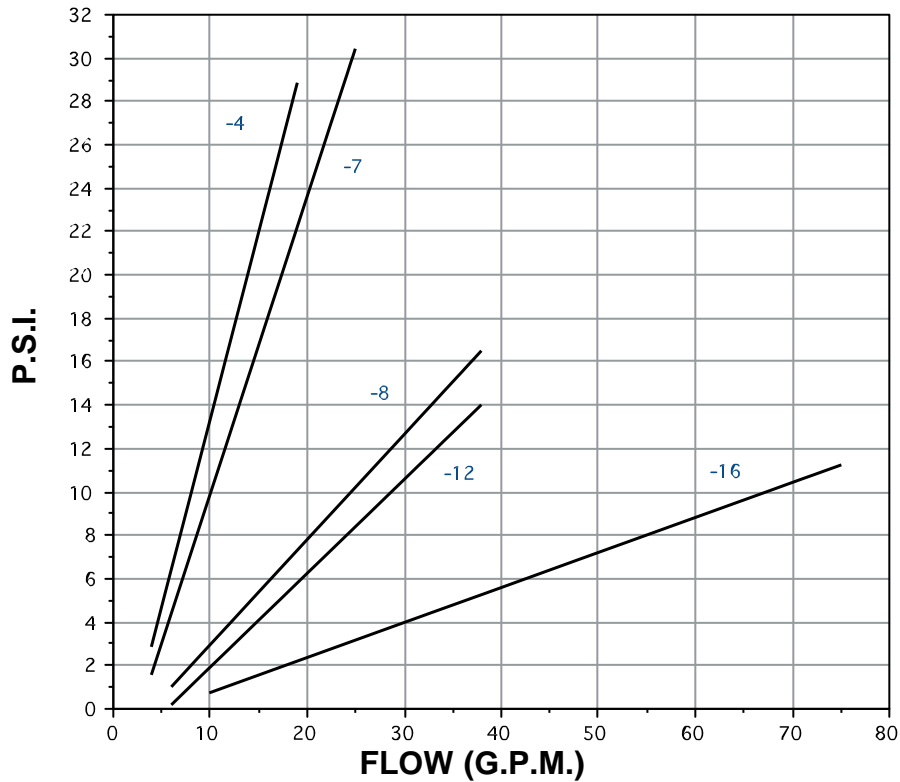


Pressure Drop "SS" Inline #20 - #40

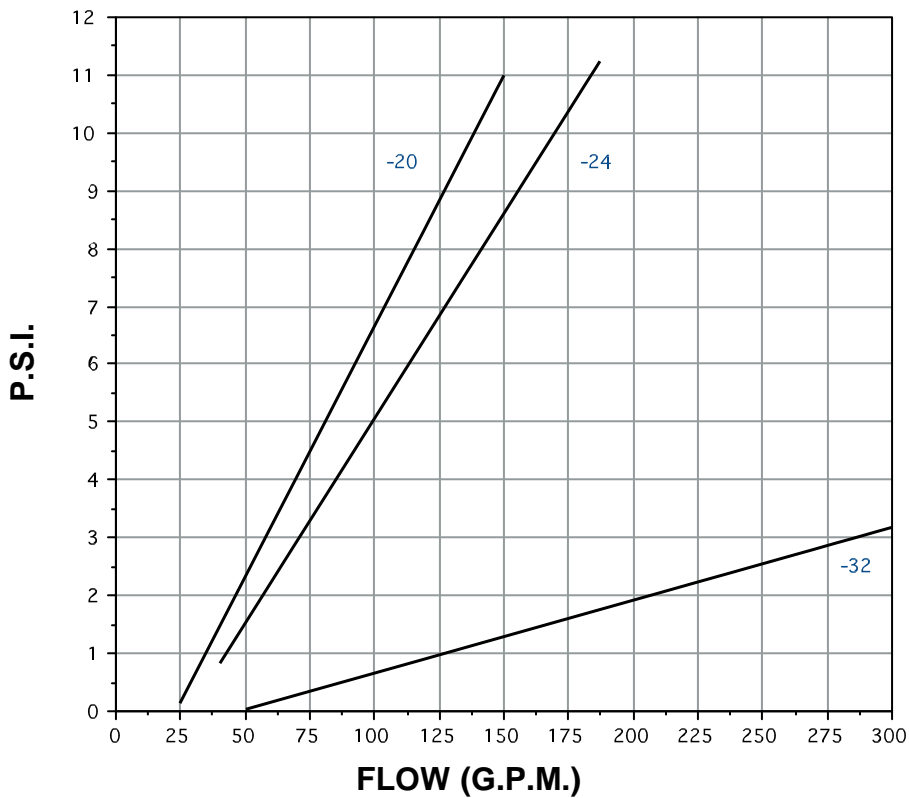


Tests conducted with 150 SUS oil at 100°F with Female Pipe (FP) X Female Pipe (FP)

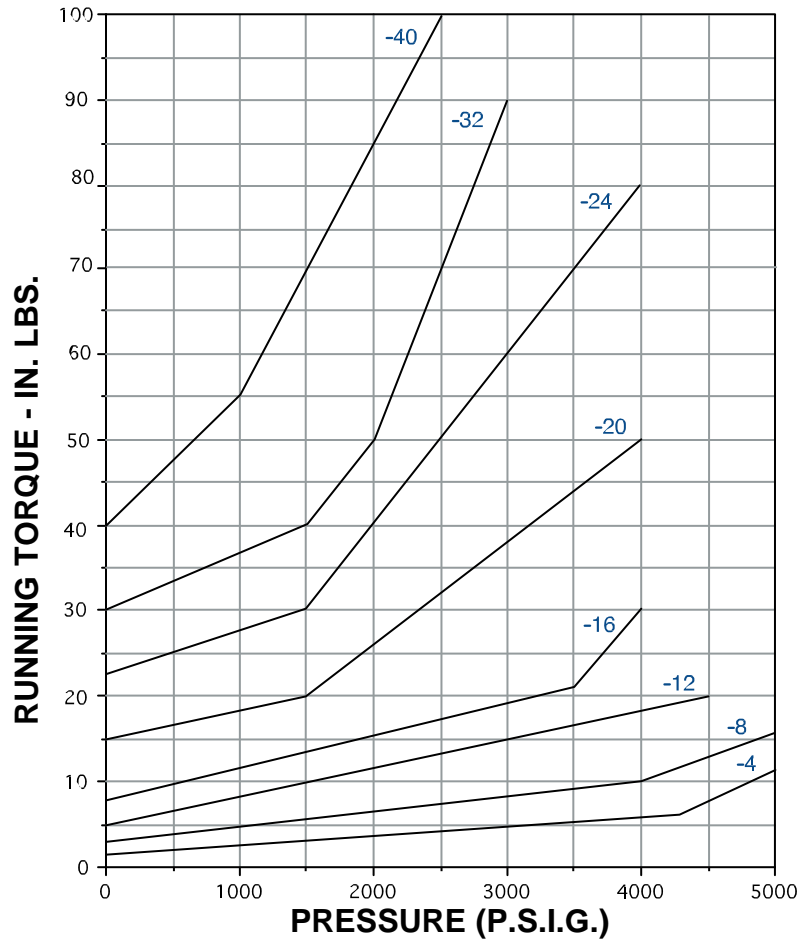
Pressure Drop "9SS" 90° #4 - #16



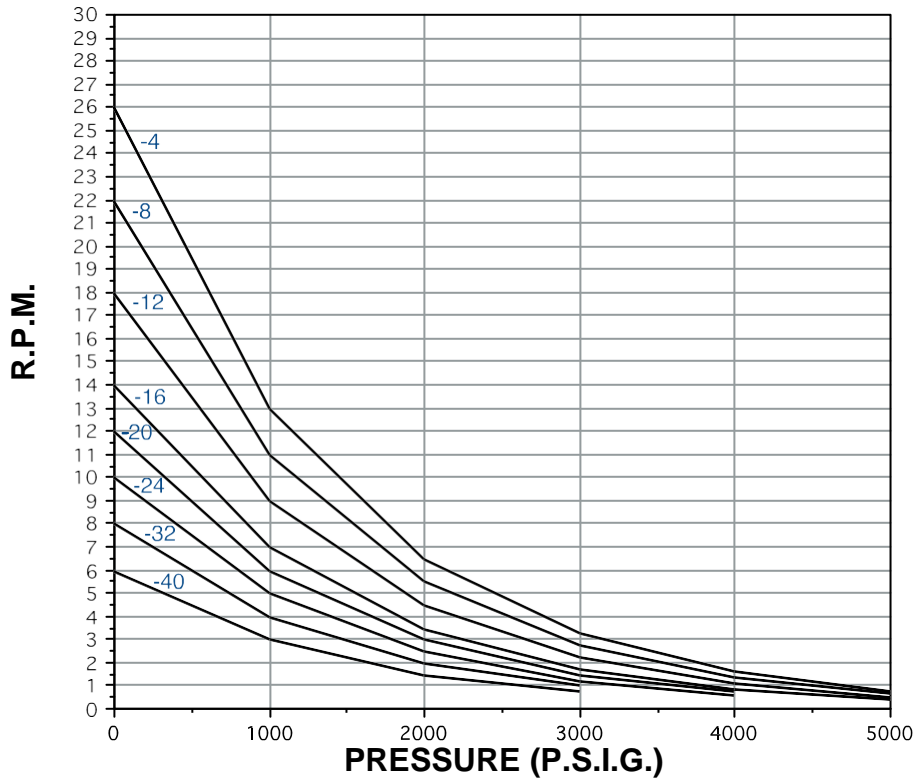
Pressure Drop "9SS" 90° #20 - #32



Rotating Torque vs. Pressure



R.P.M. vs. P.S.I.



Note: For specific pressure see charts with diagrams.

Inline Swivels

STAINLESS STEEL

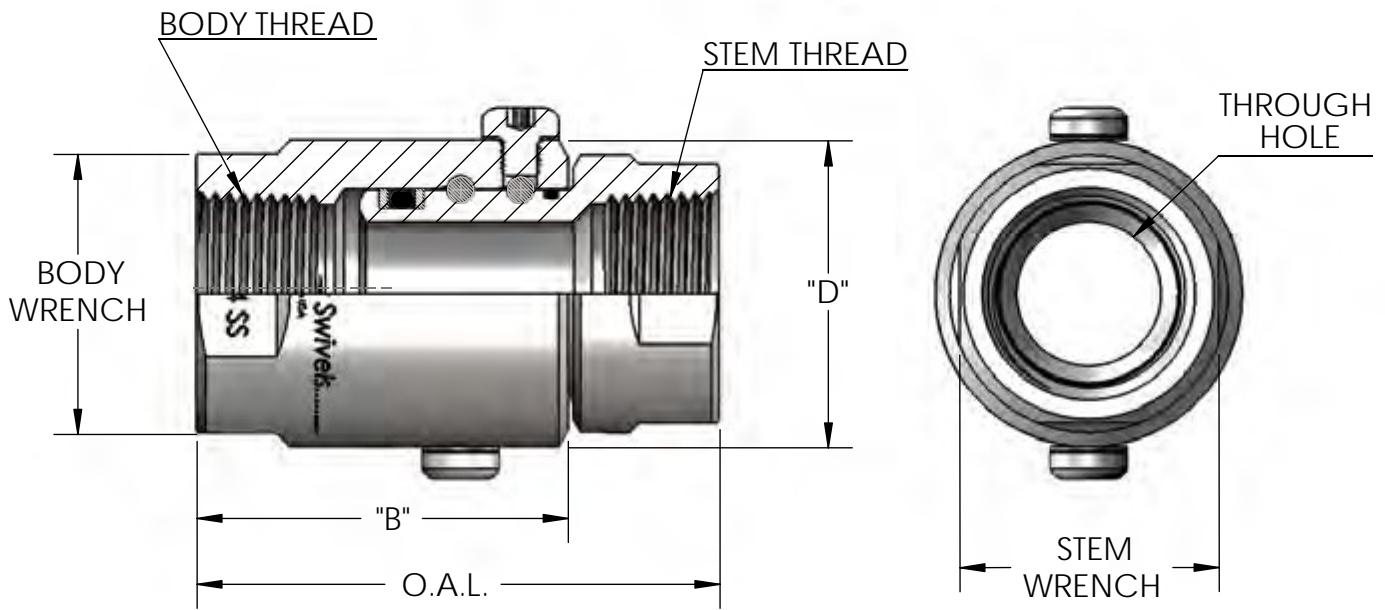


Switch Your Swivel![®]

Female Pipe (N.P.T.F.) X Female Pipe (N.P.T.F.)



304 STAINLESS
STEEL

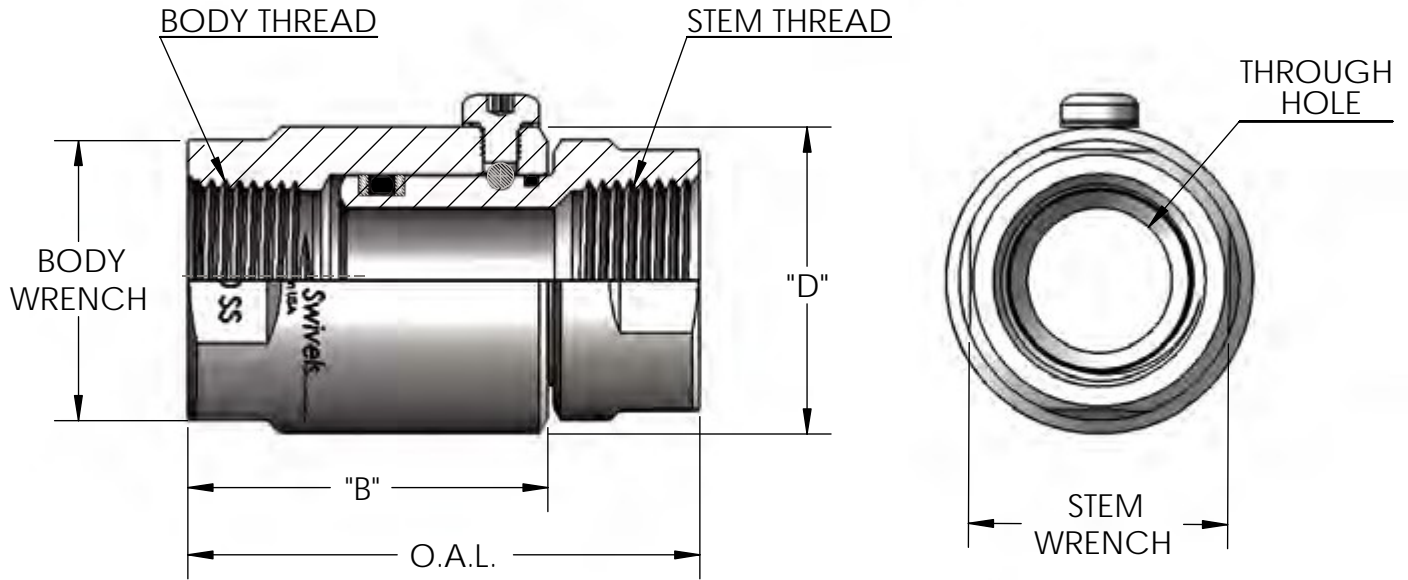


SS 4 FP 25 X FP 25-304	2.225	1.570	.975	1/4-18 N.P.T.F.	1/4-18 N.P.T.F.	.875	.750	3000	Ø.250
SS 8 DB FP 38 X FP 38-304	2.555	1.800	1.290	3/8-18 N.P.T.F.	3/8-18 N.P.T.F.	1.125	1.125	3000	Ø.530
SS 8 DB FP 50 X FP 50-304	2.730	1.950	1.480	1/2-14 N.P.T.F.	1/2-14 N.P.T.F.	1.250	1.125	3000	Ø.530
SS 12 DB FP 75 X FP 75-304	2.800	1.950	1.675	3/4-14 N.P.T.F.	3/4-14 N.P.T.F.	1.500	1.375	2250	Ø.689
SS 16 DB FP 100 X FP 100-304	3.270	2.320	1.918	1-11.5 N.P.T.F.	1-11.5 N.P.T.F.	1.750	1.625	2000	Ø.906
SS 20 FP 125 X FP 125-304	3.500	2.500	2.358	1 1/4-11.5 N.P.T.F.	1 1/4-11.5 N.P.T.F.	2.125	2.000	2000	Ø1.181
SS 24 FP 150 X FP 150-304	3.930	2.850	2.548	1 1/2-11.5 N.P.T.F.	1 1/2-11.5 N.P.T.F.	2.375	2.375	1500	Ø1.312
SS 32 FP 200 X FP 200-304	4.350	3.250	3.052	2-11.5 N.P.T.F.	2-11.5 N.P.T.F.	2.875	2.875	1000	Ø1.781

Female Pipe (N.P.T.F.) X Female Pipe (N.P.T.F.)

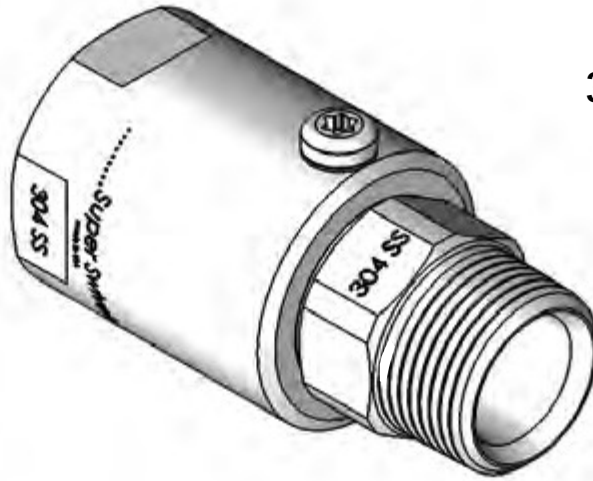


440c STAINLESS
STEEL

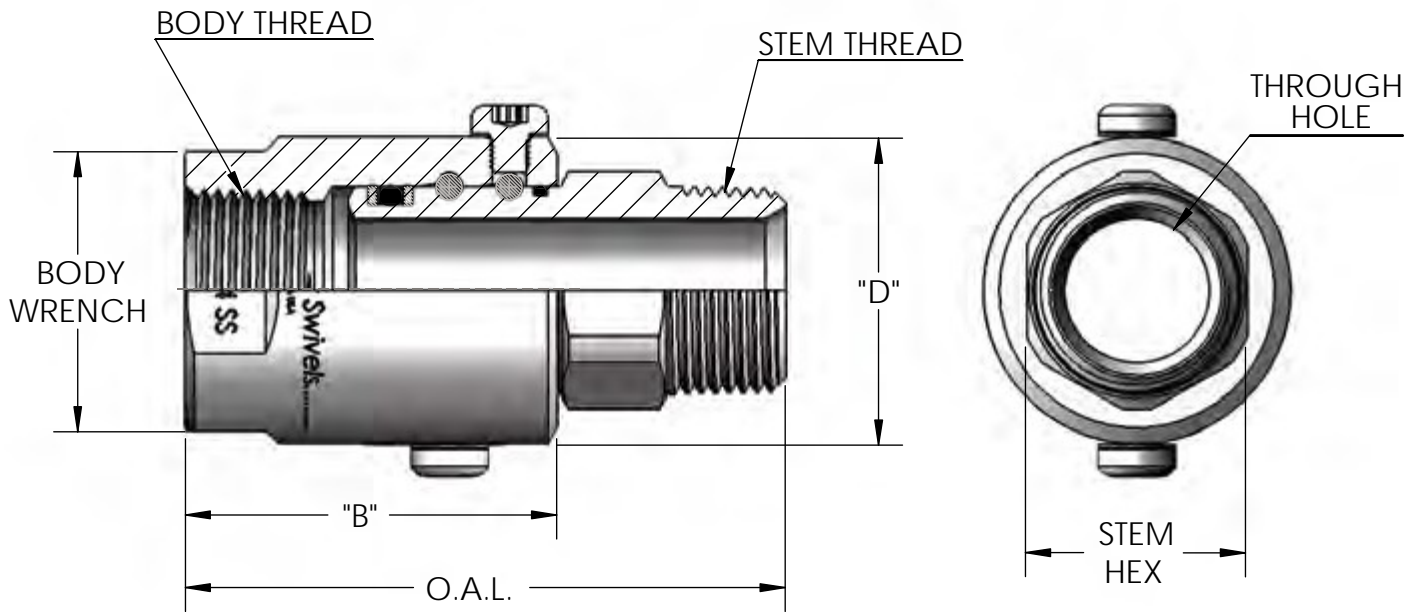


SS 4 FP 25 X FP 25-440	2.225	1.570	.975	1/4-18 N.P.T.F.	1/4-18 N.P.T.F.	.875	.750	5000	Ø.250
SS 8 FP 38 X FP 38-440	2.260	1.570	1.290	3/8-18 N.P.T.F.	3/8-18 N.P.T.F.	1.125	.875	5000	Ø.530
SS 8 FP 50 X FP 50-440	2.490	1.650	1.480	1/2-14 N.P.T.F.	1/2-14 N.P.T.F.	1.250	1.125	5000	Ø.530
SS 12 FP 75 X FP 75-440	2.510	1.670	1.675	3/4-14 N.P.T.F.	3/4-14 N.P.T.F.	1.500	1.375	4500	Ø.689
SS 16 FP 100 X FP 100-440	3.200	2.250	1.918	1-11.5 N.P.T.F.	1-11.5 N.P.T.F.	1.750	1.625	4000	Ø.906
SS 20 FP 125 X FP 125-440	3.400	2.400	2.358	1 1/4-11.5 N.P.T.F.	1 1/4-11.5 N.P.T.F.	2.125	2.000	4000	Ø1.181
SS 24 FP 150 X FP 150-440	4.050	2.950	2.548	1 1/2-11.5 N.P.T.F.	1 1/2-11.5 N.P.T.F.	2.375	2.375	4000	Ø1.312
SS 32 FP 200 X FP 200-440	4.525	3.450	3.052	2-11.5 N.P.T.F.	2-11.5 N.P.T.F.	2.875	2.875	3000	Ø1.781

Male Pipe (N.P.T.F.) X Female Pipe (N.P.T.F.)

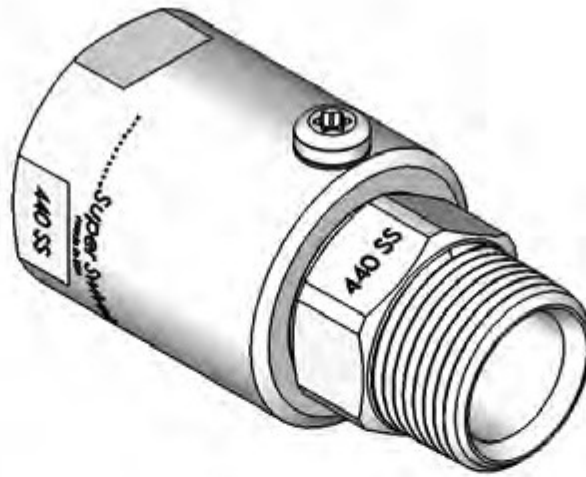


304 STAINLESS
STEEL

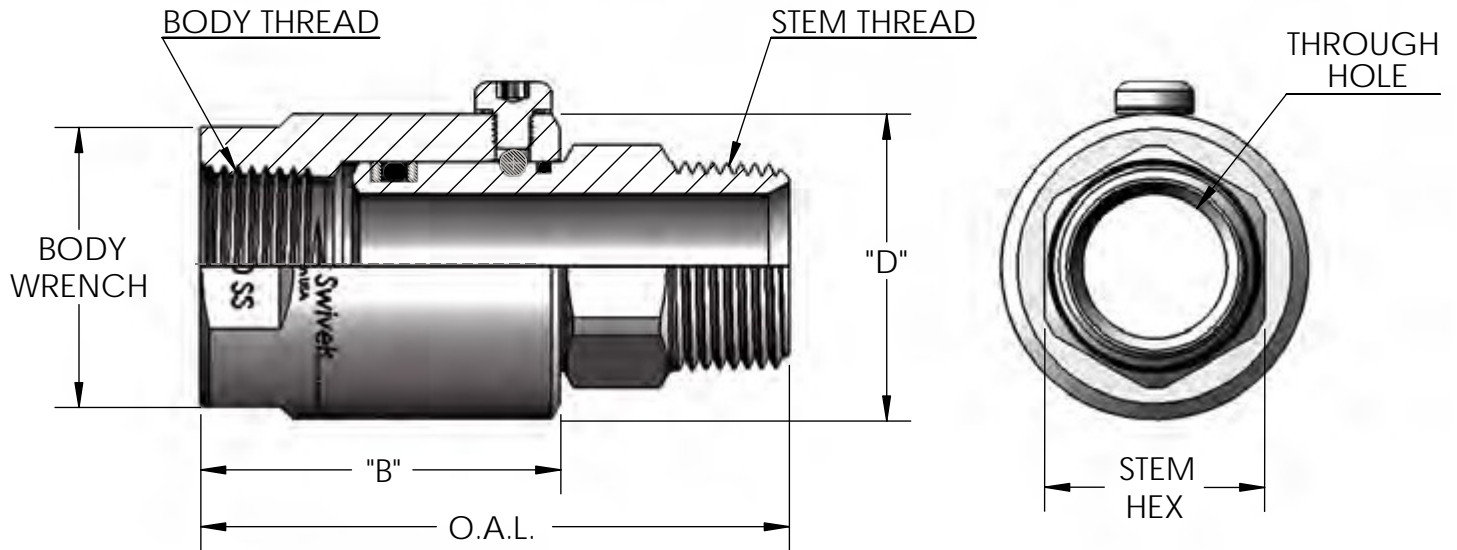


SS 4 MP 25 X FP 25-304	2.550	1.570	.975	1/4-18 N.P.T.F.	1/4-18 N.P.T.F.	.875	.625	3000	∅.250
SS 8 DB MP 38 X FP 38-304	2.925	1.800	1.290	3/8-18 N.P.T.F.	3/8-18 N.P.T.F.	1.125	1.000	3000	∅.406
SS 8 DB MP 50 X FP 50-304	3.130	1.950	1.480	1/2-14 N.P.T.F.	1/2-14 N.P.T.F.	1.250	1.000	3000	∅.530
SS 12 DB MP 75 X FP 75-304	3.190	1.950	1.675	3/4-14 N.P.T.F.	3/4-14 N.P.T.F.	1.500	1.125	2250	∅.689
SS 16 DB MP 100 X FP 100-304	3.750	2.320	1.918	1-11.5 N.P.T.F.	1-11.5 N.P.T.F.	1.750	1.375	2000	∅.906
SS 20 MP 125 X FP 125-304	4.010	2.500	2.358	1 1/4-11.5 N.P.T.F.	1 1/4-11.5 N.P.T.F.	2.125	1.750	2000	∅1.181
SS 24 MP 150 X FP 150-304	4.400	2.850	2.548	1 1/2-11.5 N.P.T.F.	1 1/2-11.5 N.P.T.F.	2.375	2.000	1500	∅1.312
SS 32 MP 200 X FP 200-304	4.910	3.250	3.052	2-11.5 N.P.T.F.	2-11.5 N.P.T.F.	2.875	2.500	1000	∅1.781

Male Pipe (N.P.T.F.) X Female Pipe (N.P.T.F.)



440c STAINLESS
STEEL



SS 4 MP 25 X FP 25-440	2.550	1.570	.975	1/4-18 N.P.T.F.	1/4-18 N.P.T.F.	.875	.625	5000	Ø.250
SS 8 MP 38 X FP 38-440	2.610	1.570	1.290	3/8-18 N.P.T.F.	3/8-18 N.P.T.F.	1.125	1.000	5000	Ø.406
SS 8 MP 50 X FP 50-440	2.890	1.650	1.480	1/2-14 N.P.T.F.	1/2-14 N.P.T.F.	1.250	1.000	5000	Ø.530
SS 12 MP 75 X FP 75-440	2.910	1.670	1.675	3/4-14 N.P.T.F.	3/4-14 N.P.T.F.	1.500	1.125	4500	Ø.689
SS 16 MP 100 X FP 100-440	3.680	2.250	1.918	1-11.5 N.P.T.F.	1-11.5 N.P.T.F.	1.750	1.375	4000	Ø.906
SS 20 MP 125 X FP 125-440	3.910	2.400	2.358	1 1/4-11.5 N.P.T.F.	1 1/4-11.5 N.P.T.F.	2.125	1.750	4000	Ø1.181
SS 24 MP 150 X FP 150-440	4.430	2.950	2.548	1 1/2-11.5 N.P.T.F.	1 1/2-11.5 N.P.T.F.	2.375	2.000	4000	Ø1.312
SS 32 MP 200 X FP 200-440	5.050	3.450	3.052	2-11.5 N.P.T.F.	2-11.5 N.P.T.F.	2.875	2.500	3000	Ø1.781



Super Swivels[®] is a leader in the design and manufacture of hydraulic live swivels.

Our catalogs and web site illustrate the most common choices, many of which are in stock and ready to ship. Please contact us if you don't see what you want and we will work with you to fulfill those needs. Zinc and nickel plated carbon steel swivels are featured in our standard catalog, available to view at our web site.



Also available is our catalog of swivels for the Car Wash Industry.



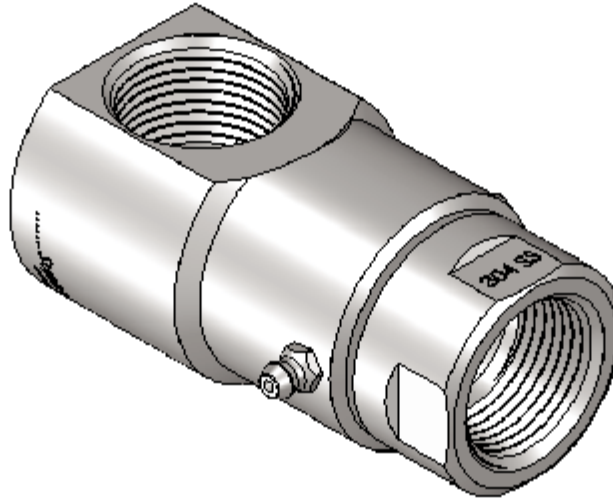
90° Swivels

STAINLESS STEEL

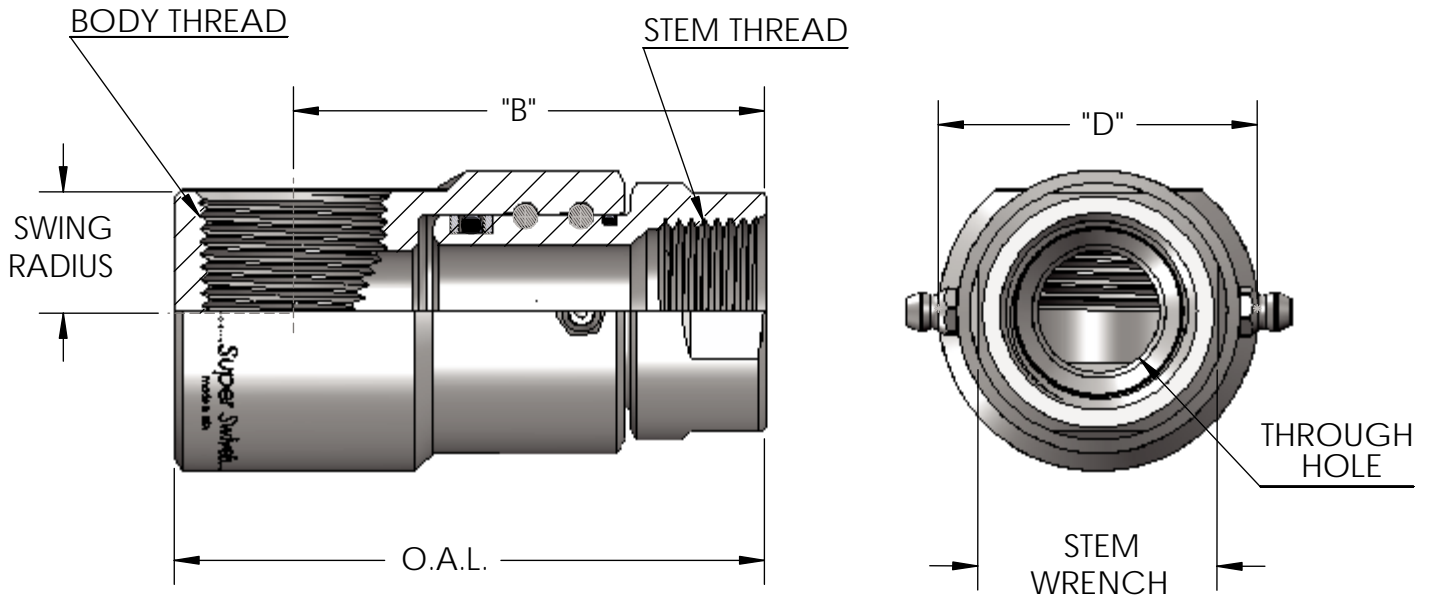


Switch Your Swivel![®]

Female Pipe (N.P.T.F.) X Female Pipe (N.P.T.F.)

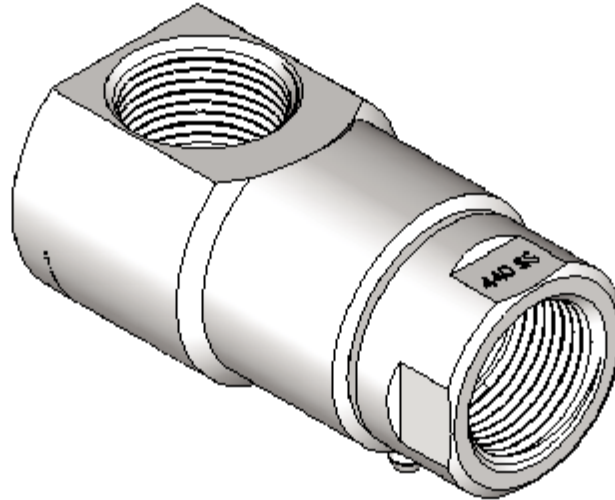


304 STAINLESS
STEEL

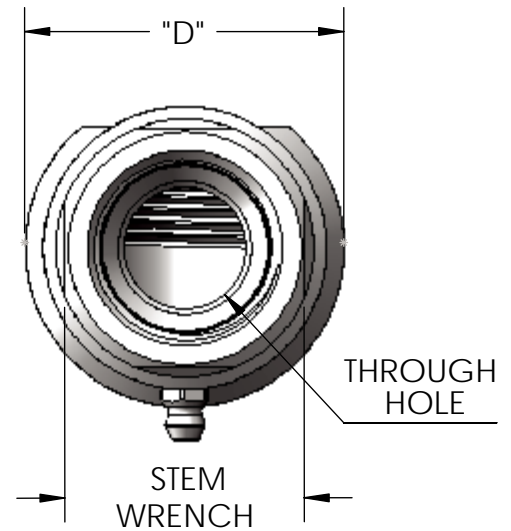
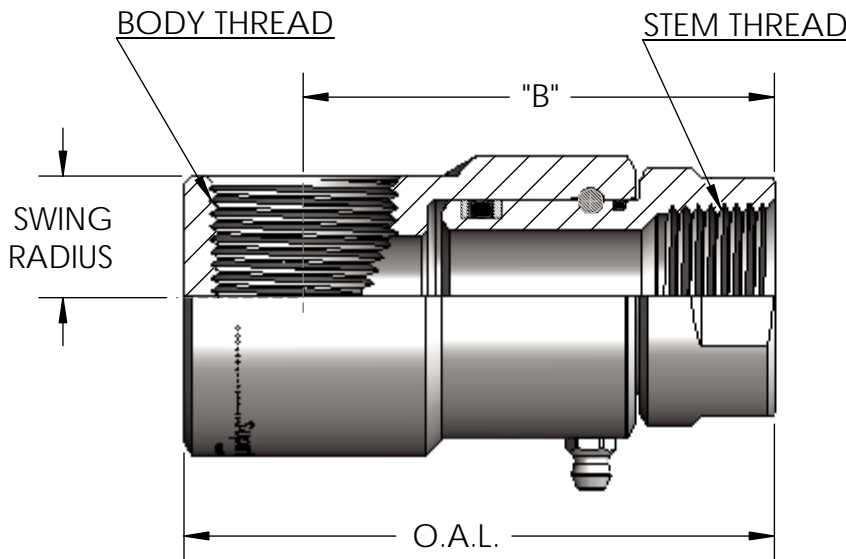


9 SS 4 FP 25 X FP 25-304	2.335	1.965	1.190	1/4-18 N.P.T.F.	1/4-18 N.P.T.F.	.750	.525	3000	∅.250
9 SS 8 DB FP 38 X FP 38-304	3.145	2.515	1.500	3/8-18 N.P.T.F.	3/8-18 N.P.T.F.	1.125	.650	3000	∅.530
9 SS 8 DB FP 50 X FP 50-304	3.170	2.540	1.500	1/2-14 N.P.T.F.	1/2-14 N.P.T.F.	1.125	.585	3000	∅.530
9 SS 12 DB FP 75 X FP 75-304	3.300	2.640	1.710	3/4-14 N.P.T.F.	3/4-14 N.P.T.F.	1.375	.645	2250	∅.610
9 SS 16 DB FP 100 X FP 100-304	4.000	3.190	2.162	1-11.5 N.P.T.F.	1-11.5 N.P.T.F.	1.625	.825	2000	∅.827
9 SS 20 FP 125 X FP 125-304	4.370	3.400	2.702	1 1/4-11.5 N.P.T.F.	1 1/4-11.5 N.P.T.F.	2.000	1.050	2000	∅1.181
9 SS 24 FP 150 X FP 150-304	5.590	4.360	2.918	1 1/2-11.5 N.P.T.F.	1 1/2-11.5 N.P.T.F.	2.375	1.070	1500	∅1.260
9 SS 32 FP 200 X FP 200-304	6.450	5.110	3.668	2-11.5 N.P.T.F.	2-11.5 N.P.T.F.	2.875	1.385	1000	∅1.781

Female Pipe (N.P.T.F.) X Female Pipe (N.P.T.F.)

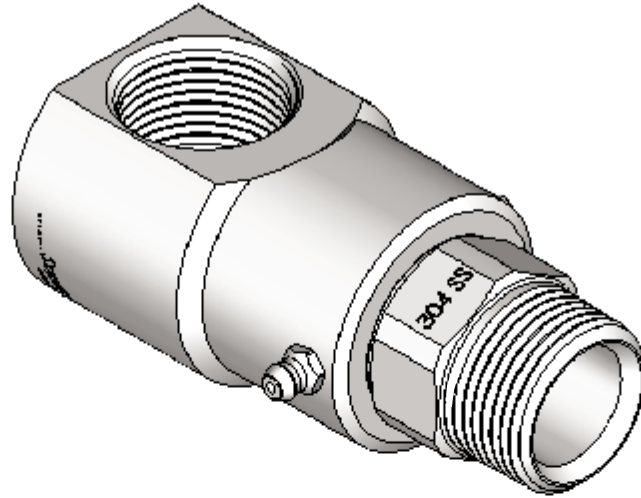


440c STAINLESS
STEEL

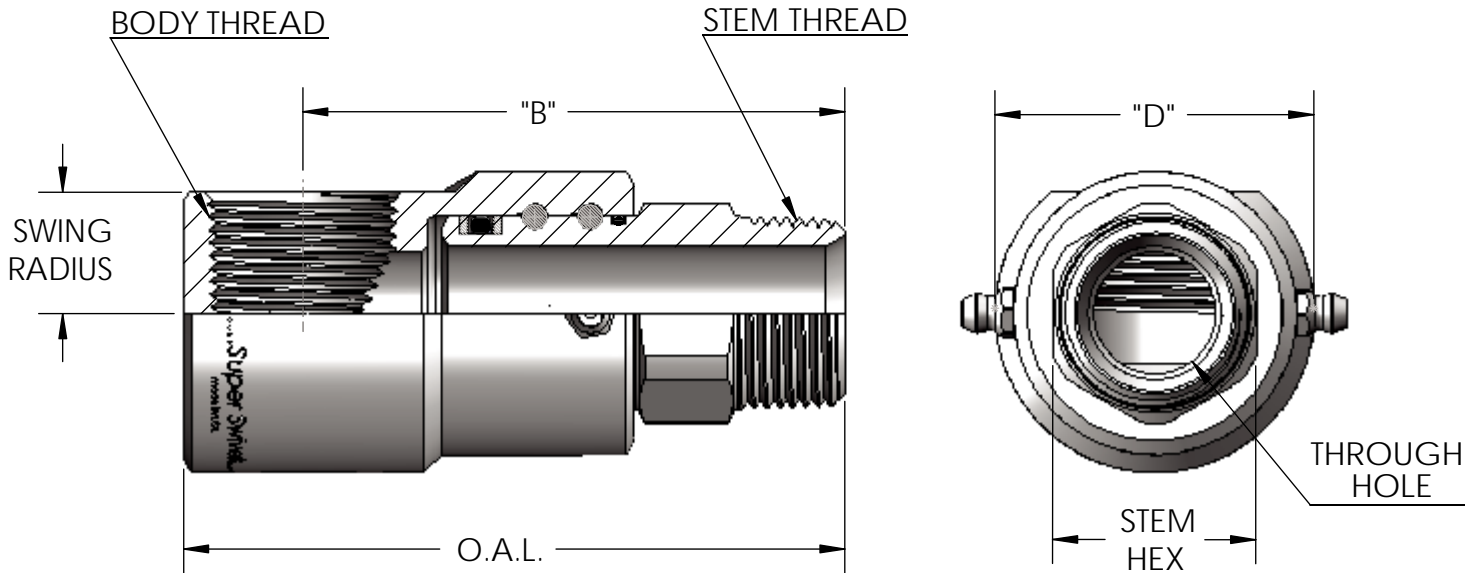


9 SS 4 FP 25 X FP 25-440	2.335	1.965	1.190	1/4-18 N.P.T.F.	1/4-18 N.P.T.F.	.750	.525	5000	Ø.250
9 SS 8 FP 38 X FP 38-440	2.540	2.060	1.500	3/8-18 N.P.T.F.	3/8-18 N.P.T.F.	.875	.650	5000	Ø.530
9 SS 8 FP 50 X FP 50-440	2.825	2.280	1.500	1/2-14 N.P.T.F.	1/2-14 N.P.T.F.	1.125	.585	5000	Ø.530
9 SS 12 FP 75 X FP 75-440	3.035	2.370	1.710	3/4-14 N.P.T.F.	3/4-14 N.P.T.F.	1.375	.645	4500	Ø.610
9 SS 16 FP 100 X FP 100-440	4.000	3.190	2.162	1-11.5 N.P.T.F.	1-11.5 N.P.T.F.	1.625	.825	4000	Ø.827
9 SS 20 FP 125 X FP 125-440	4.370	3.400	2.598	1 1/4-11.5 N.P.T.F.	1 1/4-11.5 N.P.T.F.	2.000	.982	4000	Ø1.181
9 SS 24 FP 150 X FP 150-440	5.610	4.380	2.918	1 1/2-11.5 N.P.T.F.	1 1/2-11.5 N.P.T.F.	2.375	1.070	4000	Ø1.312
9 SS 32 FP 200 X FP 200-440	6.425	5.085	3.668	2-11.5 N.P.T.F.	2-11.5 N.P.T.F.	2.875	1.385	3000	Ø1.781

Male Pipe (N.P.T.F.) X Female Pipe (N.P.T.F.)

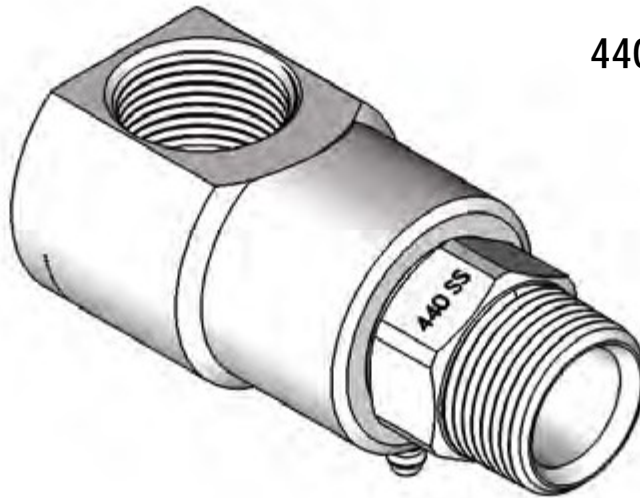


**304 STAINLESS
STEEL**

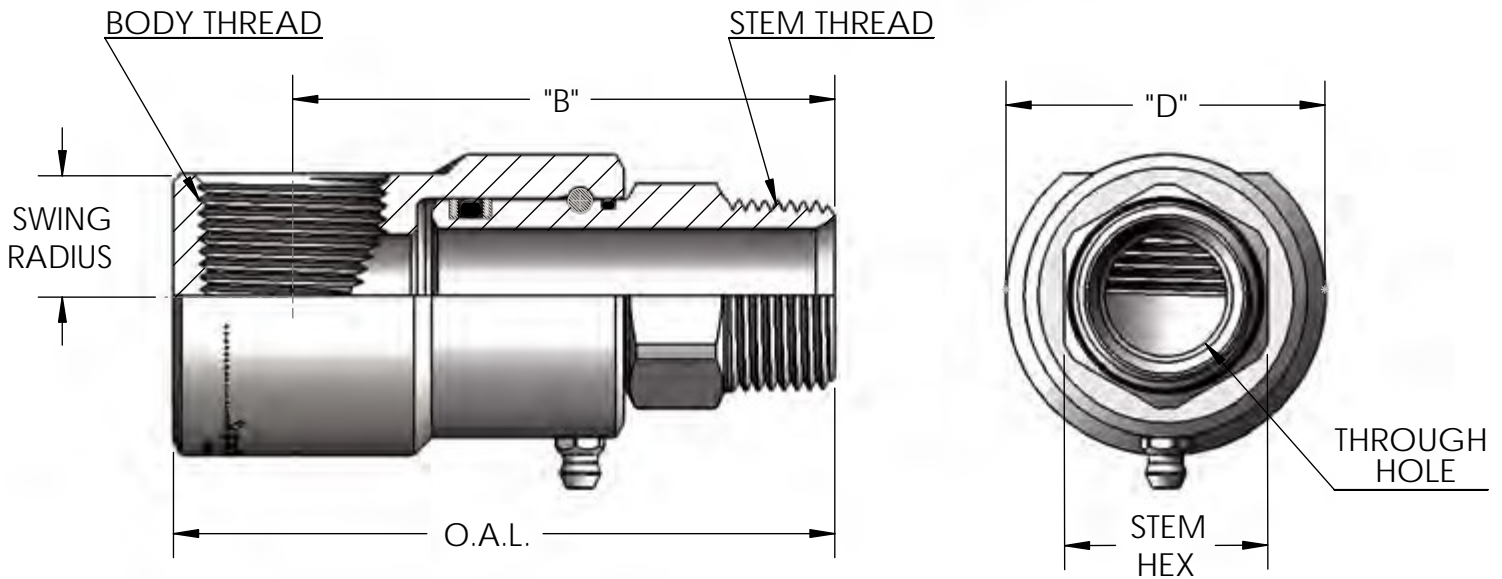


9 SS 4 MP 25 X FP 25-304	2.660	2.290	1.190	1/4-18 N.P.T.F.	1/4-18 N.P.T.F.	.625	.525	3000	Ø.250
9 SS 8 DB MP 38 X FP 38-304	3.510	2.885	1.500	3/8-18 N.P.T.F.	3/8-18 N.P.T.F.	1.000	.650	3000	Ø.406
9 SS 8 DB MP 50 X FP 50-304	3.570	2.940	1.500	1/2-14 N.P.T.F.	1/2-14 N.P.T.F.	1.000	.585	3000	Ø.530
9 SS 12 DB MP 75 X FP 75-304	3.690	3.025	1.710	3/4-14 N.P.T.F.	3/4-14 N.P.T.F.	1.125	.645	2250	Ø.610
9 SS 16 DB MP 100 X FP 100-304	4.480	3.670	2.162	1-11.5 N.P.T.F.	1-11.5 N.P.T.F.	1.375	.825	2000	Ø.827
9 SS 20 MP 125 X FP 125-304	4.875	3.910	2.702	1 1/4-11.5 N.P.T.F.	1 1/4-11.5 N.P.T.F.	1.750	1.050	2000	Ø1.181
9 SS 24 MP 150 X FP 150-304	6.060	4.830	2.918	1 1/2-11.5 N.P.T.F.	1 1/2-11.5 N.P.T.F.	2.000	1.070	1500	Ø1.260
9 SS 32 MP 200 X FP 200-304	7.010	5.670	3.668	2-11.5 N.P.T.F.	2-11.5 N.P.T.F.	2.500	1.385	1000	Ø1.781

Male Pipe (N.P.T.F.) X Female Pipe (N.P.T.F.)

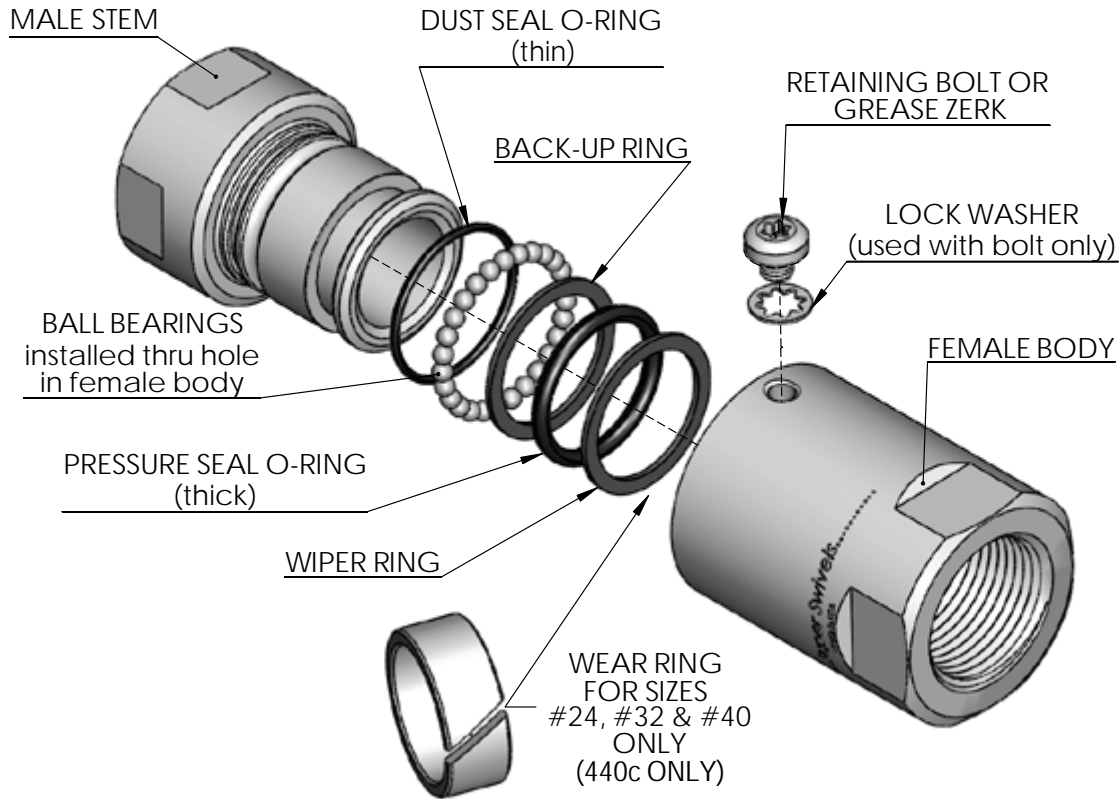


440c STAINLESS
STEEL



9 SS 4 MP 25 X FP 25-440	2.660	2.290	1.190	1/4-18 N.P.T.F.	1/4-18 N.P.T.F.	.625	.525	5000	Ø.250
9 SS 8 MP 38 X FP 38-440	2.890	2.410	1.500	3/8-18 N.P.T.F.	3/8-18 N.P.T.F.	1.000	.650	5000	Ø.406
9 SS 8 MP 50 X FP 50-440	3.225	2.680	1.500	1/2-14 N.P.T.F.	1/2-14 N.P.T.F.	1.000	.585	5000	Ø.530
9 SS 12 MP 75 X FP 75-440	3.435	2.770	1.710	3/4-14 N.P.T.F.	3/4-14 N.P.T.F.	1.125	.645	4500	Ø.610
9 SS 16 MP 100 X FP 100-440	4.480	3.670	2.162	1-11.5 N.P.T.F.	1-11.5 N.P.T.F.	1.375	.825	4000	Ø.827
9 SS 20 MP 125 X FP 125-440	4.880	3.910	2.598	1 1/4-11.5 N.P.T.F.	1 1/4-11.5 N.P.T.F.	1.750	.982	4000	Ø1.181
9 SS 24 MP 150 X FP 150-440	5.990	4.760	2.918	1 1/2-11.5 N.P.T.F.	1 1/2-11.5 N.P.T.F.	2.000	1.070	4000	Ø1.312
9 SS 32 MP 200 X FP 200-440	6.950	5.610	3.668	2-11.5 N.P.T.F.	2-11.5 N.P.T.F.	2.500	1.385	3000	Ø1.781

Hydraulic Inline and 90° Live Swivels Seal Rebuilding Kit Instructions



1. Remove retaining bolt or grease zerk (some models have a permanent grease zerk).
2. Wash swivel in solvent and rotate while immersed to remove grease from the ball bearing groove.
3. Remove ball bearings by rotating swivel with ball loading hole pointed downward. If remaining grease in ball groove prevents balls from falling free when centered over loading hole, tap swivel on work bench with loading hole facing down on bench.
4. With all ball bearings removed (check by rotating while looking into ball loading hole), pull the two halves apart and discard old rings, ball bearings and seals.
5. Clean and dry swivel thoroughly, install new seal and wear rings when required, and lubricate the female bore and male outside diameter before assembly. Load retainer ball bearings and install grease zerk (a temporary zerk is provided for models with a retaining bolt). Use lithium based grease with moly (do not over grease).

Note: The temporary grease zerk must be removed and replaced with the original retaining bolt and new lock washer on swivels which didn't originally have a permanent grease zerk.

Switch Your Swivel![®]



304 & 440c STAINLESS STEEL CROSS REFERENCE LIST

DESCRIPTION ~ ITEM	DESCRIPTION ~ ITEM	DESCRIPTION ~ ITEM	DESCRIPTION ~ ITEM
<p>— Size ¼"</p>			
SS4FP25XFP25-304-AL ~ 11034 SS4FP25XFP25-304-V ~ 11035 SS4FP25XFP25-440-AL ~ 1006 SS4FP25XFP25-440-V ~ 12008	SS8DBFP50XFP50-304-AL ~ 14110 SS8DBFP50XFP50+304-V ~ 14111 SS8FP50XFP50-440-AL ~ 1026 SS8FP50XFP50-440-V ~ 14002	SS16DBFP100XFP100-304-AL ~ 16095 SS16DBFP100XFP100-304-V ~ 16096 SS16FP100XFP100-440-AL ~ 1046 SS16FP100XFP100-440-V ~ 16021	SS24FP150XFP150-304-AL ~ 18027 SS24FP150XFP150-304-V ~ 18028 SS24FP150XFP150-440-AL ~ 1066 SS24FP150XFP150-440-V ~ 18009
SS4MP25XFP25-304-AL ~ 11036 SS4MP25XFP25-304-V ~ 11037 SS4MP25XFP25-440-AL ~ 1206 SS4MP25XFP25-440-V ~ 12012	SS8DBMP50XFP50-304-AL ~ 14112 SS8DBMP50XFP50-304-V ~ 14113 SS8MP50XFP50-440-AL ~ 1226 SS08MP50XFP50-440-V ~ 14022	SS16DBMP100XFP100-304-AL ~ 16097 SS16DBMP100XFP100-304-V ~ 16098 SS16MP100XFP100-440-AL ~ 1246 SS16MP100XFP100-440-V ~ 16003	SS24MP150XFP150-304-AL ~ 18029 SS24MP150XFP150-304-V ~ 18030 SS24MP150XFP150-440-AL ~ 1266 SS24MP150XFP150-440-V ~ 18011
9SS4FP25XFP25-304-AL ~ 21098 9SS4FP25XFP25-304-V ~ 21099 9SS4FP25XFP25-440-AL ~ 5006 9SS4FP25XFP25-440-V ~ 21035	9SS8DBFP50XFP50-304-AL ~ 23111 9SS8DBFP50XFP50-304-V ~ 23095 9SS8FP50XFP50-440-AL ~ 5026 9SS8FP50XFP50-440-V ~ 23052	9SS16DBFP100XFP100-304-AL ~ 25010 9SS16DBFP100XFP100-304-V ~ 25143 9SS16FP100XFP100-440-AL ~ 5046 9SS16FP100XFP100-440-V ~ 25057	9SS24FP150XFP150-304-AL ~ 27027 9SS24FP150XFP150-304-V ~ 27028 9SS24FP150XFP150-440-AL ~ 5066 9SS24FP150XFP150-440-V ~ 27034
9SS4MP25XFP25-304-AL ~ 21100 9SS4MP25XFP25-304-V ~ 21101 9SS4MP25XFP25-440-AL ~ 5106 9SS4MP25XFP25-440-V ~ 21015	9SS8DBMP50XFP50-304-AL ~ 23053 9SS8DBMP50XFP50-304-V ~ 23079 9SS8MP50XFP50-440-AL ~ 5126 9SS8MP50XFP50-440-V ~ 23006	9SS16DBMP100XFP100-304-AL ~ 25144 9SS16DBMP100XFP100-304-V ~ 25145 9SS16MP100XFP100-440-AL ~ 5146 9SS16MP100XFP100-440-V ~ 25024	9SS24MP150XFP150-304-AL ~ 27029 9SS24MP150XFP150-304-V ~ 27030 9SS24MP150XFP150-440-AL ~ 5166 9SS24MP150XFP150-440-V ~ 27032
<p>— Size ⅜"</p>			
SS8DBFP38XFP38-304-AL ~ 11034 SS8DPFP38XFP38-304-V ~ 11035 SS8FP38XFP38-440-AL ~ 1016 SS8FP38XFP38-440-V ~ 13014	SS12DBFP75XFP75-304-AL ~ 15098 SS12DBFP75XFP75-304-V ~ 15099 SS12FP75XFP75-440-AL ~ 1036 SS12FP75XFP75-440-V ~ 15017	SS20FP125XFP125-304-AL ~ 17019 SS20FP125XFP125-304-V ~ 17020 SS20FP125XFP125-440-AL ~ 1056 SS20FP125XFP125-440-V ~ 17004	SS32FP200XFP200-304-AL ~ 19004 SS32FP200XFP200-304-V ~ 19005 SS32FP200XFP200-440-AL ~ 1076 SS32FP200XFP200-440-V ~ 19014
SS8DBMP38XFP38-304-AL ~ 13036 SS8DBMP38XFP38-304-V ~ 13037 SS8MP38XFP38-440-AL ~ 1216 SS8MP38XFP38-440-V ~ 13016	SS12DBMP75XFP75-304-AL ~ 15100 SS12DBMP75XFP75-304-V ~ 15101 SS12MP75XFP75-440-AL ~ 1236 SS12MP75XFP75-440-V ~ 15012	SS20MP125XFP125-304-AL ~ 17021 SS20MP125XFP125-304-V ~ 17022 SS20MP125XFP125-440-AL ~ 1256 SS20MP125XFP125-440-V ~ 17009	SS32MP200XFP200-304-AL ~ 19006 SS32MP200XFP200-304-V ~ 19007 SS32MP200XFP200-440-AL ~ 1276 SS32MP200XFP200-440-V ~ 19015
9SS8DBFP38XFP38-304-AL ~ 22060 9SS8DBFP38XFP38-304-V ~ 22061 9SS8FP38XFP38-440-AL ~ 5016 9SS8FP38XFP38-440-V ~ 22012	9SS12DBFP75XFP75-304-AL ~ 24119 9SS12DBFP75XFP75-304-V ~ 24120 9SS12FP75XFP75-440-AL ~ 5036 9SS12FP75XFP75-440-V ~ 24038	9SS20FP125XFP125-304-AL ~ 26017 9SS20FP125XFP125-304-V ~ 26018 9SS20FP125XFP125-440-AL ~ 5056 9SS20FP125XFP125-440-V ~ 26024	9SS32FP200XFP200-304-AL ~ 28018 9SS32FP200XFP200-304-V ~ 28019 9SS32FP200XFP200-440-AL ~ 5076 9SS32FP200XFP200-440-V ~ 28010
9SS8DBMP38XFP38-304-AL ~ 22062 9SS8DBMP38XFP38-304-V ~ 22063 9SS8MP38XFP38-440-AL ~ 5116 9SS8MP38XFP38-440-V ~ 22006	9SS12DBMP75XFP75-304-AL ~ 24121 9SS12DBMP75XFP75-304-V ~ 24122 9SS12MP75XFP75-440-AL ~ 5136 9SS12MP75XFP75-440-V ~ 24044	9SS20MP125XFP125-304-AL ~ 26019 9SS20MP125XFP125-304-V ~ 26020 9SS20MP125XFP125-440-AL ~ 5156 9SS20MP125XFP125-440-V ~ 26011	9SS32MP200XFP200-304-AL ~ 28020 9SS32MP200XFP200-304-V ~ 28021 9SS32MP200XFP200-440-AL ~ 5176 9SS32MP200XFP200-440-V ~ 28013

Notes

Switch Your Swivel![®]



WARRANTY & LIMITATION OF LIABILITY

Super Swivels® products are warranted for a period of **twelve (12) months** from date of shipment from seller's plant to be free from defects in material and workmanship under correct use, normal operating conditions, and proper application.

CAR WASH / CORROSIVE MEDIA APPLICATIONS. SEALS WILL BE WARRANTED **FOR SIX (6) MONTHS** WHEN USED WITH FRESH, CLEAN, SOFT, FLUIDS WITH A pH BETWEEN 8 -11.5. SEALS WILL BE WARRANTED **FOR THREE (3) MONTHS** WHEN USED WITH ANY RECLAIMED FLUIDS. MINIMUM FILTRATION REQUIREMENTS, 10 MICRONS. WARRANTY VOIDED IF SPECIFIED R.P.M. EXCEEDED.

Seller's obligation under this warranty shall be limited to the repair or exchange, at seller's option, F.O.B. seller's factory, of any Super Swivels® product or part which proves to be defective as provided herein. Seller reserves the right to either inspect the product at buyer's location or require it to be returned to the factory for inspection. The above warranty does not extend to goods damaged, or subjected to accident, abuse, or misuse after shipment from seller's factory, nor to goods altered or repaired by anyone other than authorized Super Swivels® representatives.

SELLER MAKES NO EXPRESS WARRANTIES OTHER THAN THOSE WHICH ARE SPECIFICALLY DESCRIBED HEREIN. Any description of the goods sold hereunder, including any references to buyer's specifications and any descriptions in catalogs, circulars and other written material published by Seller is for the sole purpose of identifying such goods and shall not create an express warranty that the goods shall conform to such description. Any sample or model is for illustrative purposes only and shall not create any express warranty that the goods shall conform to the sample or model. BUYER IS SOLELY RESPONSIBLE FOR DETERMINING THE SUITABILITY OF GOODS SOLD HEREUNDER FOR USE BY BUYER.

THE SUITABILITY OF GOODS SOLD HEREUNDER FOR USE BY BUYER. THIS WARRANTY IS EXPRESSLY IN LIEU OF ALL OTHER WARRANTIES EXPRESSED OR IMPLIED. THERE ARE NO IMPLIED WARRANTIES OF MERCHANTABILITY OR FITNESS FOR A PARTICULAR PURPOSE. THIS WARRANTY STATES SELLERS ENTIRE AND EXCLUSIVE LIABILITY AND BUYERS EXCLUSIVE REMEDY FOR ANY CLAIM FOR DAMAGES IN CONNECTION WITH THE SALE OF FURNISHINGS OF SUPER SWIVELS® PRODUCTS, THEIR DESIGN, SUITABILITY FOR USE, INSTALLATION OR OPERATION, OR FOR ANY CLAIMED DEFECTS HEREIN. SELLER WILL IN NO EVENT BE LIABLE FOR ANY INCIDENTAL OR CONSEQUENTIAL DAMAGES WHATSOEVER, NOR FOR ANY SUM IN EXCESS OF THE PRICE RECEIVED FOR THE GOODS FOR WHICH LIABILITY IS CLAIMED.

SUPER SWIVELS® ARE NOT DESIGNED FOR AND SHOULD NOT BE USED AS A STRUCTURAL OR LOAD BEARING COMPONENT. ALL DIMENSIONAL INFORMATION SUBJECT TO CHANGE WITHOUT NOTICE.



304 & 440c Stainless Steel

Inline & 90° Hydraulic Live Swivels

Stainless Steel Super Swivels are available in 304 or 440c.

- **304** is a nickel/chrome alloy, non-hardening, Austenitic, Non-magnetic stainless steel.
- **304** offers excellent resistance to chemical corrodents.
- **304** swivels have a medium pressure rating.
- **440c** is a high carbon – chrome, hardening, Martensitic, magnetic Stainless Steel.
- **440c** offers resistance to chemical corrodents.
- **440c** swivels have a high pressure rating.
- Size range from ¼" NPT to 2" NPT.
- Rated up to 5,000 P.S.I.
- Seal options, Viton®, Aflas®, Kalrez®, Buna, EPDM, call for other seal options.

