



Inline and 90° Swivels



Hydraulic Live Swivels

Heavy Duty Ball Bearing, Rebuildable Design



Super Swivels® was established in 1986. Our goal is to manufacture heavy-duty, leak free, live swivels at a competitive price.

We maintain a large inventory, which allows us to provide exceptional service. Our heat treating process allows us to offer higher working pressure ratings. Super Swivels® are available in several different materials, plating options and a wide variety of seal options.

Super Swivels are used in a wide variety of applications, i.e. hose reels, paint equipment, hydraulic log loaders, automatic car washes, wrecker trucks, horizontal directional drilling, machine tool indexers, hydraulic wheel motors, hot tar applicators, robotics, power line equipment, railroad equipment, and mining equipment, to mention a few.

Super Swivels®
Switch Your Swivel!
STAINLESS STEEL
Hydraulic Live Swivels

Inline & 90° Swivels
304 & 440c Stainless Steel
Heavy Duty Ball Bearing, Rebuildable Design

www.SuperSwivels.com 763-784-5531
Email: sales@superswivels.com Fax: 763-784-7423

Super Swivels®
Automatic Car Wash Industry
Inline & 90° Live Swivels
Heavy Duty Ball Bearing, Rebuildable Design

Switch Your Swivel!

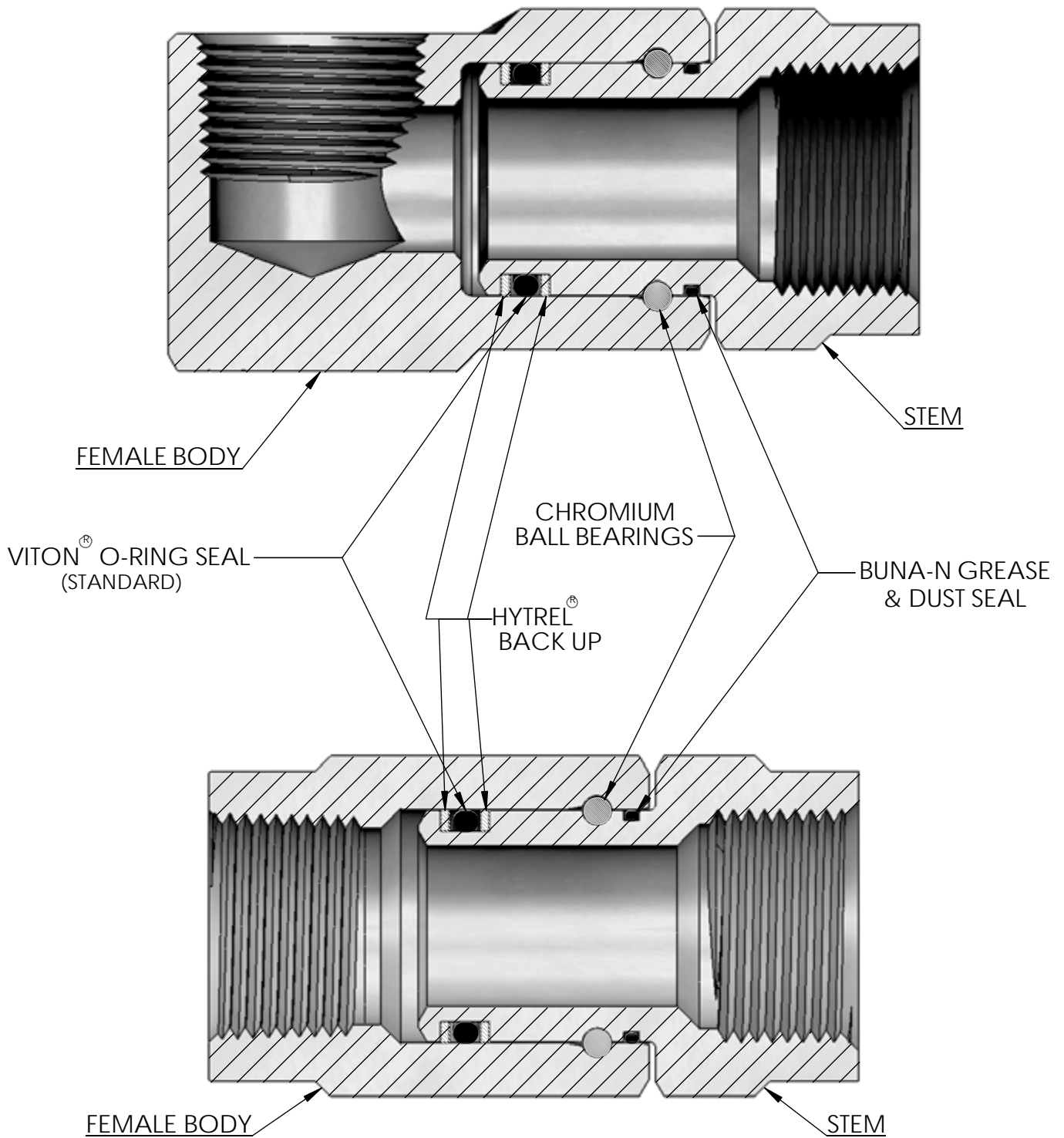
www.SuperSwivels.com 763-784-5531
Email: sales@superswivels.com Fax: 763-784-7423



Inline And 90° Hydraulic Swivels

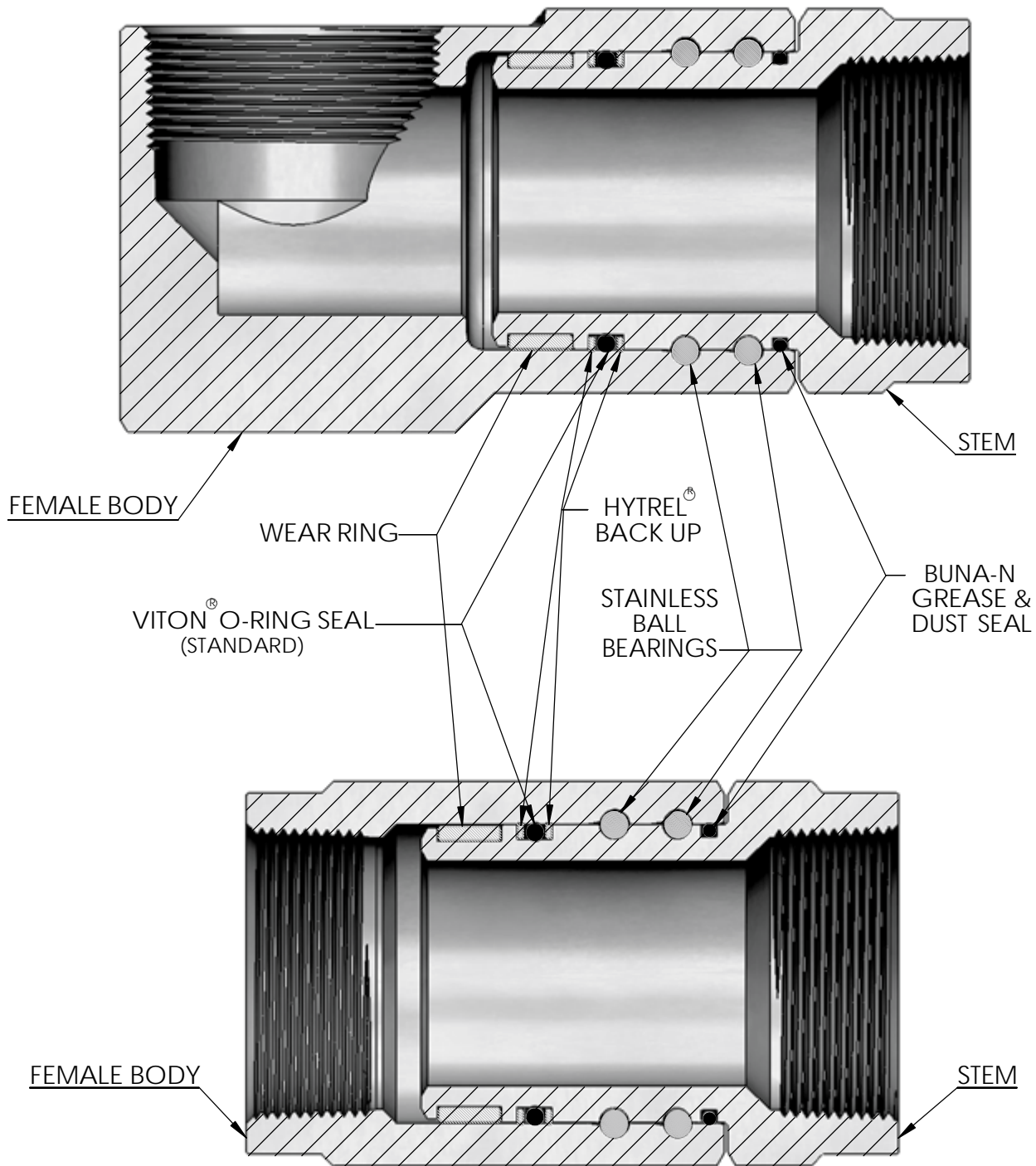
Cross Sectional Drawings	Page 2-5
How To Order	Page 6
Options	Page 7
Seal Compatibility Chart	Page 8
Pressure Drop Charts	Page 9-10
Rotating Torque Verses Pressure Chart	Page 11
R.P.M. Verses P.S.I. Chart	Page 11
Super Swivels' Advantages	Page 12
Inline Swivels	Page 13-21
High Pressure Inline Swivels (10,000 P.S.I.)	Page 22
90° Swivels	Page 23-42
90° High Pressure Swivels (10,000 P.S.I.)	Page 43
Dual Plane Swivels.....	Page 44-48
BSPP Inline And 90° Swivels.....	Page 49-51
Rebuilding Kits Item Number	Page 54
Item Number, Part Number Cross Reference Guide	Page 52-63
Seal Rebuilding Kit (List – Page 54) Instructions	Page 64

Cross Sectional Drawings



Zinc Plated for Hydraulic Oil Applications
Sizes 4 through 16

Cross Sectional Drawings

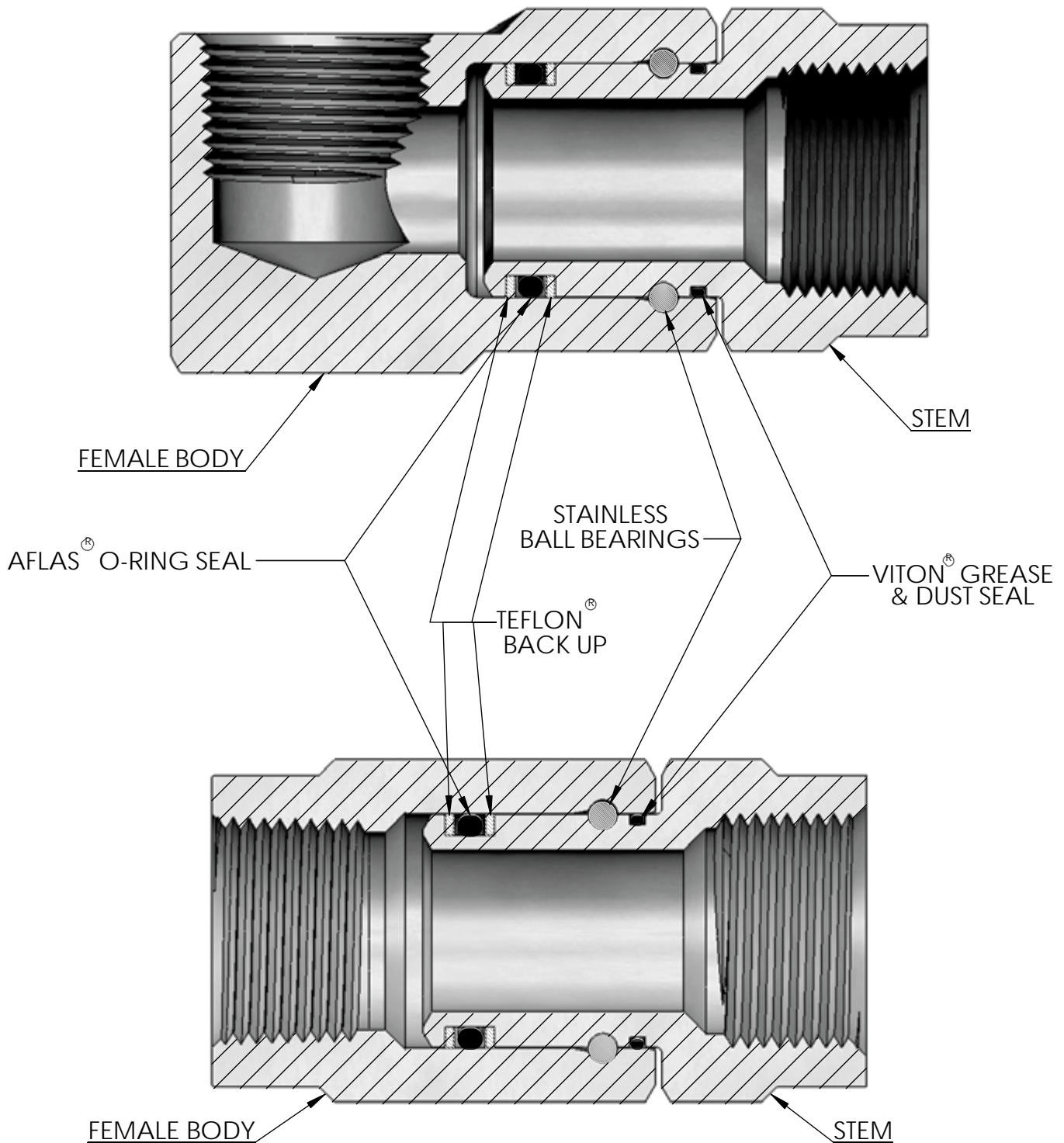


Nickel Plated for Hydraulic Oil Applications Sizes 20 through 40

(Size 20 No Wear Ring)

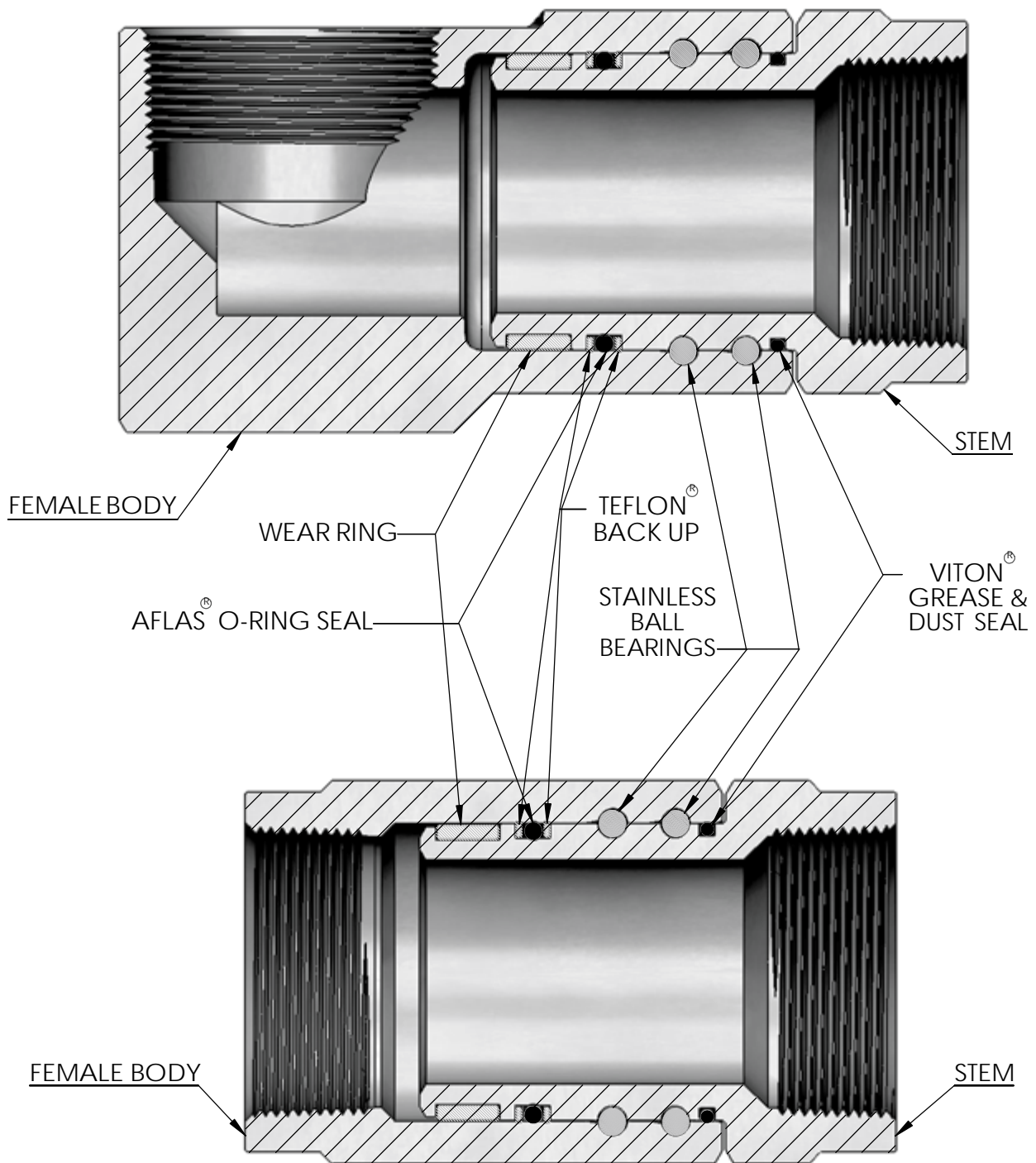
Nickel Plating Standard on Size 24 and Larger

Cross Sectional Drawings



**Nickel Plated for Corrosive Media Applications
Sizes 4 through 16**

Cross Sectional Drawings

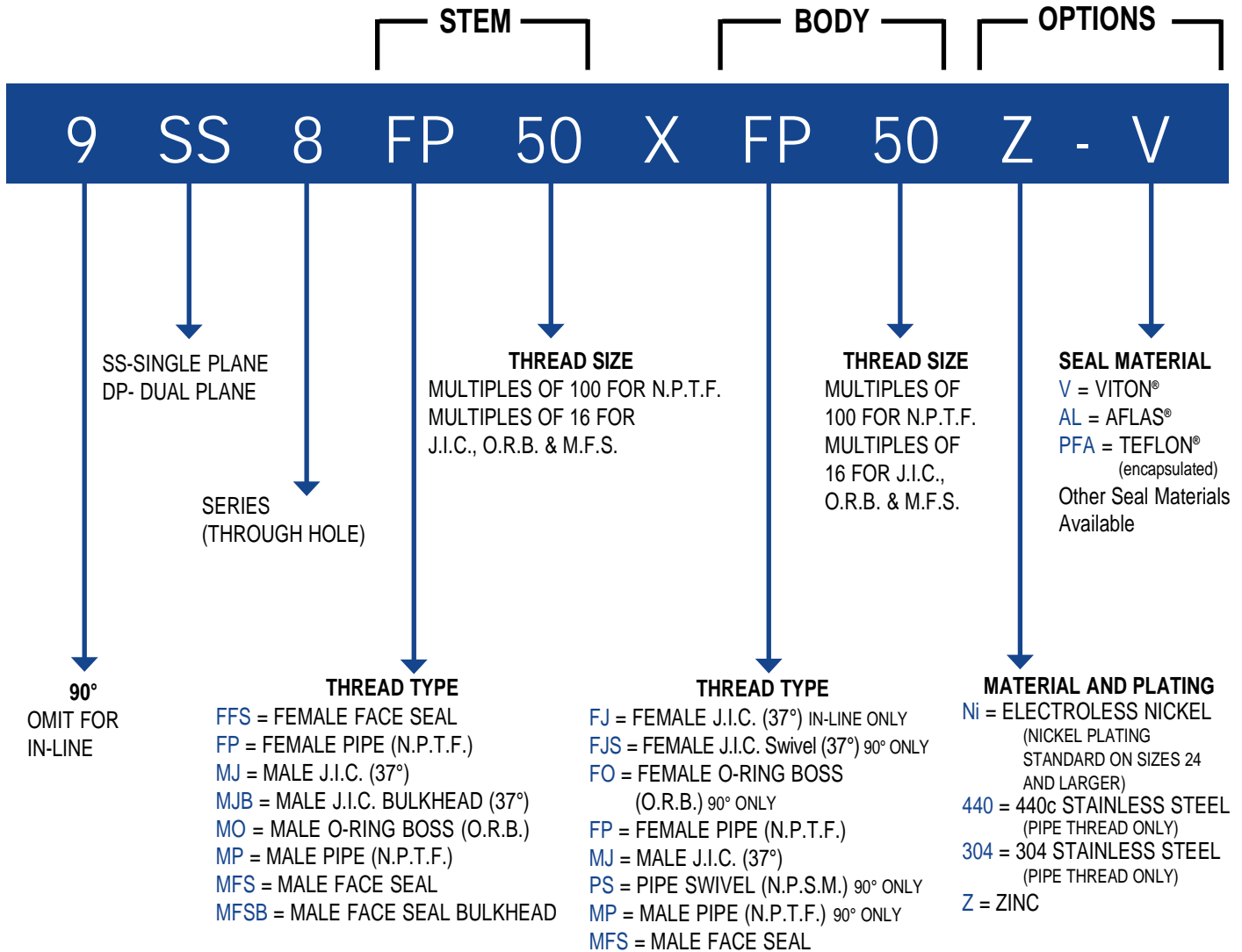


Nickel Plated for Corrosive Media Applications Sizes 20 through 40

(Size 20 No Wear Ring)

Nickel Plating Standard on Size 24 and Larger

HOW TO ORDER



REBUILDING KITS ARE AVAILABLE FOR ALL SWIVELS. SEE PAGE 54.

WHEN ORDERING PLEASE SPECIFY PRESSURE, TYPE OF MEDIA OR OXYGEN USE.

SUPER SWIVELS® ARE NOT RECOMMENDED FOR BREATHING AIR OR STEAM.

ALL SWIVELS HAVE 4 TO 1 PROOF PRESSURE, EXCEPT 10,000 P.S.I. 3 TO 1 PROOF PRESSURE

SUPER SWIVELS® MAY ALSO BE ORDERED BY ITEM NUMBER. SEE PAGES 52-62.

ANY SERIES STEM WILL FIT WITH THE SAME SERIES BODY. THEREFORE THERE ARE MANY COMBINATIONS THAT DO NOT APPEAR IN THIS CATALOG.

CALL, FAX OR E-MAIL YOUR SPECIAL REQUIREMENTS.

Options

Base Material and Plating

Super Swivels are manufactured from Carbon Steel or 304 and 440c Stainless Steel.

Carbon Steel Zinc (Z) Plating is recommended for non-corrosive applications, i.e. hydraulic, pneumatic, etc.

Carbon Steel Nickel (NI) Plating is recommended for mildly corrosive environments, i.e. water, mild chemicals, solvents, etc.

304 Stainless Steel (304) is recommended for low pressure corrosive environments.

440c Stainless Steel (440) is a martensitic, high carbon, magnetic stainless steel, heat-treated to maintain a high-pressure rating. Not as corrosion resistant as 300 Series Stainless Steel.

Seal Material

(V) Viton® (Fluorocarbon) – For most petroleum based applications. (-15°F to 250°F)

(AL) Aflas® (Tetrafluoroethylene-propylene copolymer) – Better resistance to many individual chemicals. For service in high temperature environments. (Low temperature limitations.) (+32°F to 400°F)

(PFA) PFA Teflon® – High resistance to many individual chemicals where Teflon seals are required. (1,500 max psi) (-15°F to 400°F)

Other seals available upon request include:

Buna, EPR, Neoprene and Kalrez®.

Please specify oxygen use when ordering. Super Swivels are not recommended for breathing air or steam.

• Viton and Kalrez are registered trademarks of DuPont Dow® Elastomers. • Teflon, Freon, and Hytel are registered trademarks of the DuPont® Company.
• Aflas is a registered trademark of Asahi® Glass Co LTD. • Skydrol and Pydraul are registered trademarks of Monsanto® Chemical Co. All other ® and ™s are the property of their respective owners.

Seal Compatibility Chart

FLUIDS	VITON® (HYTREL® back-up) 25 in/Hg-5000 P.S.I. MAX* -15°F TO 250°F	AFLAS® (TEFLON® back-up) 25 in/Hg-5000 P.S.I. MAX* +32°F TO 400°F	PFA TEFLON(TEFLONback-up) 25 in/Hg-1500 MAX -15°F TO 400°F
automatic transmission fluids	A	A	A
acetone	C	C	C
air	A	A	A
asphalt	B	A	B
benzene	A	B	B
brake fluid (glycol)	C	A	B
brake fluid (mineral)	C	A	B
brake fluid (silicone)	C	A	B
carbon tetrachloride	A	C	A
engine oil (sf, sf cd)	A	A	A
ethylene glycol	A	A	A
FREON®	C	C	C
hydraulic fluids (petroleum)	A	A	A
hydrochloric acid	B	A	A
methyl ethyl ketone	C	C	C
naphtha	A	A	A
oxygen (gaseous)	A	A	A
power steering fluid	C	A	A
salt water	B	A	A
SKYDROL 500 B4®	C	B	C
soap solutions	C	A	A
sulfuric acid	A	A	A
toluene	A	C	B
trichlorethylene	A	C	A
urethane	C	A	C
water	C	A	A

A=Satisfactory
B=Fair
C=Unsatisfactory

*2500 P.S.I. MAX PNEUMATIC

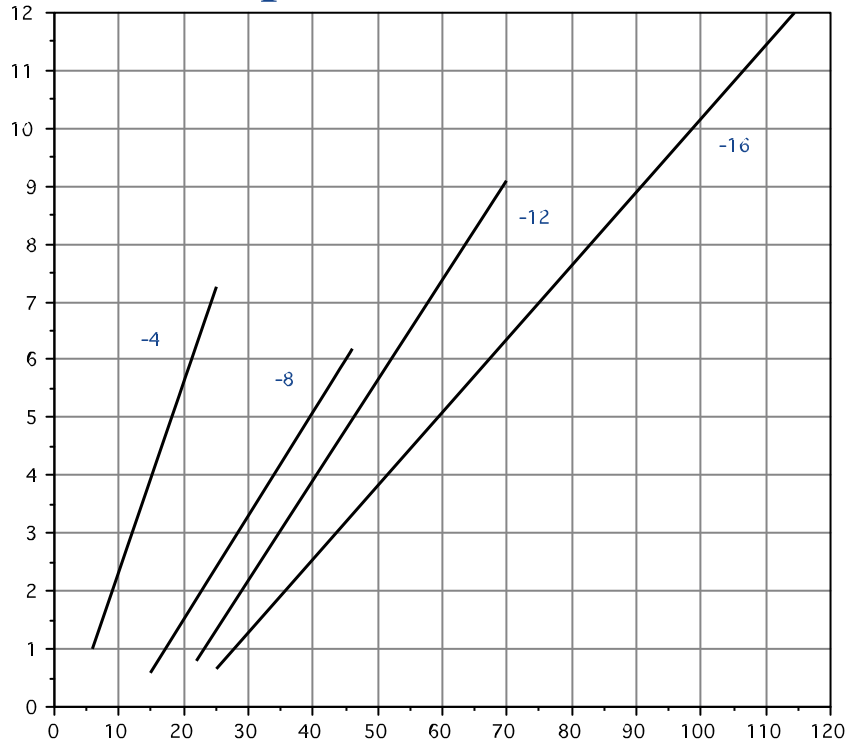
This chart is only a guide, several factors should be considered when selecting a sealing compound, for further information contact Super Swivels®.

Note 1. Please specify oxygen use when ordering. Super Swivels® are not recommended for breathing air.

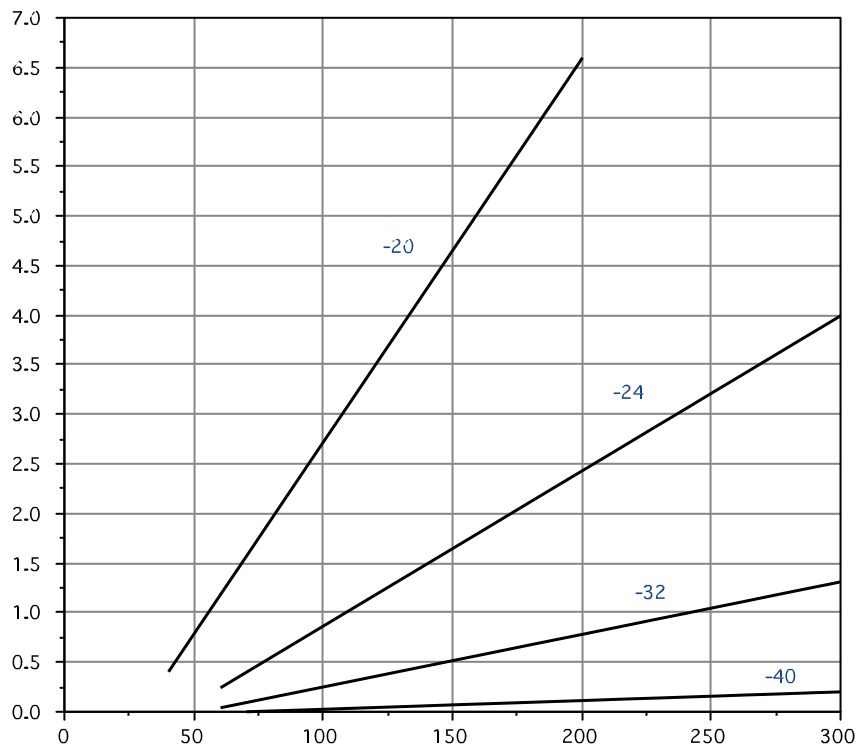
Not recommended for steam.



Pressure Drop "SS" Inline #4 - #16

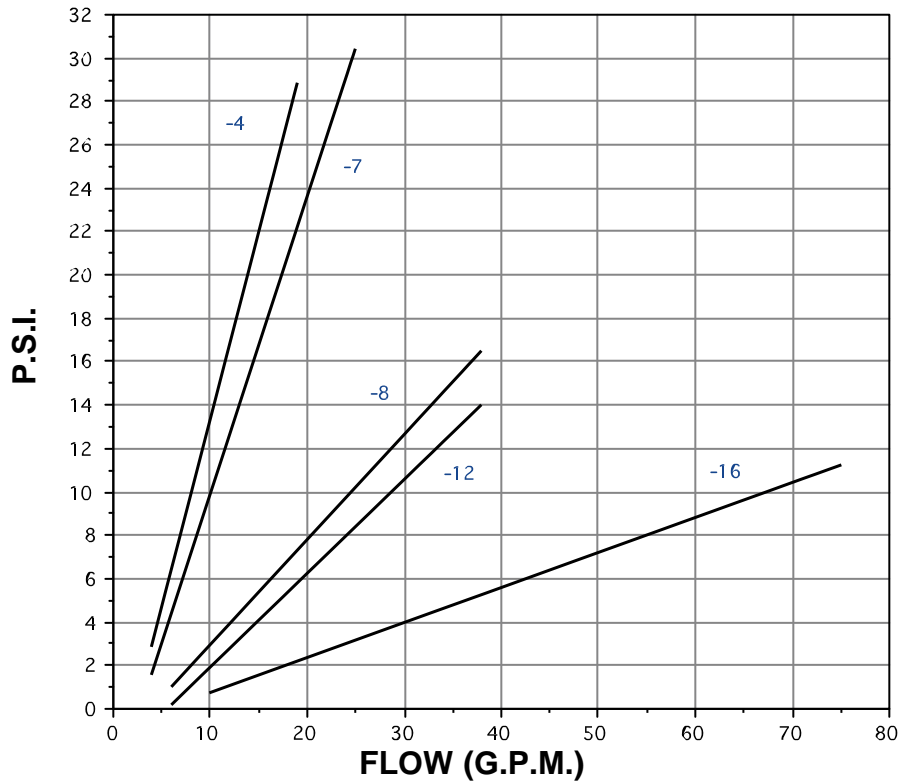


Pressure Drop "SS" Inline #20 - #40

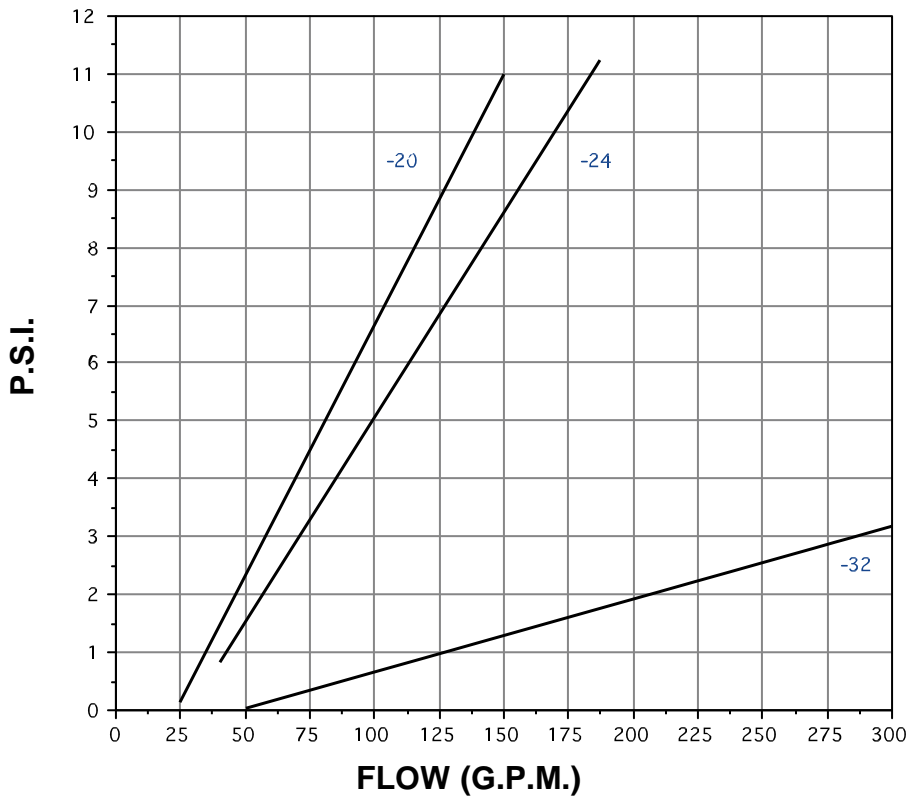




Pressure Drop "9SS" 90° #4 - #16

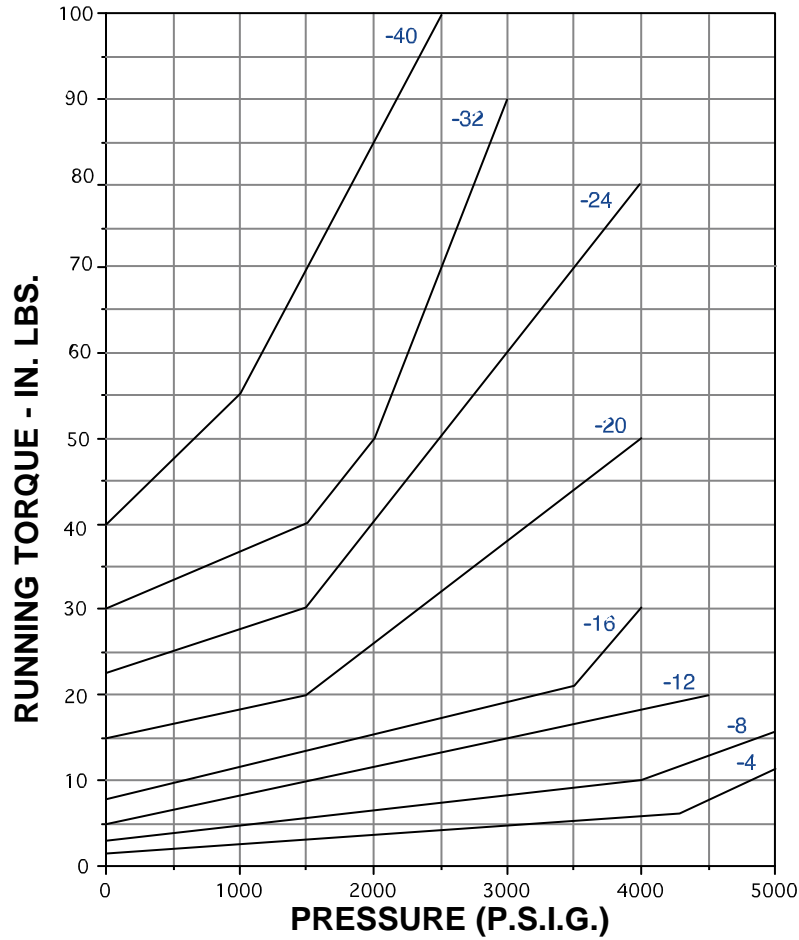


Pressure Drop "9SS" 90° #20 - #32

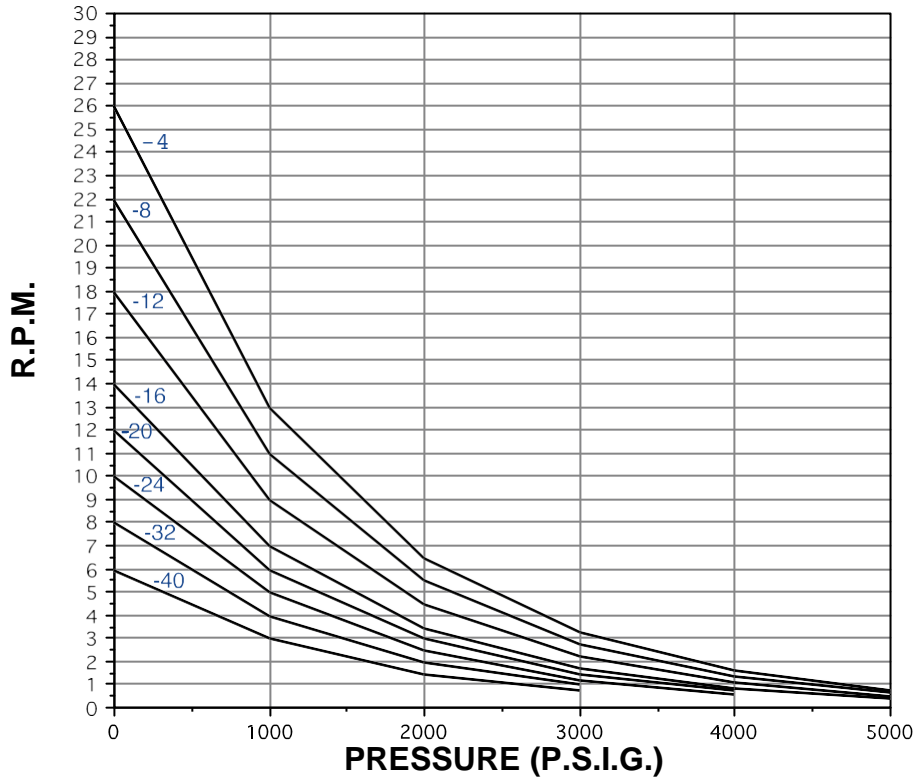




Rotating Torque vs. Pressure



R.P.M. vs. P.S.I.

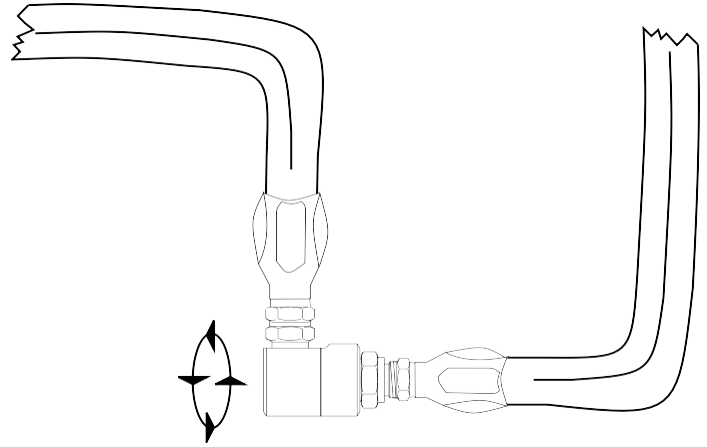


Note: For specific pressure see charts with diagrams.

Super Swivels' Advantages

Simplified Connections:

- Super Swivels can connect directly to hose lines which would do away with adapters.
- Super Swivels reduce the complexity of hose lines for 90° connections.
- Less hose is required with Super Swivels live swivels reducing space needs.



Reduce Maintenance and Downtime:

- Less hydraulic line congestion, hose kinking, shock damage and twisting means lower maintenance costs and less downtime.

Reduced Hose Twisting:

- Super Swivels live swivel action reduces risk of hose twisting and kinking even in 90° angel connections.

Reduced Cost:

Less System Shock:

- The increased hose movement allowed by Super Swivels superior design reduces system rigidity and helps absorb some system impulses.
- Simplified hose configuration, less hose and adapters when combined with reduced repairs and downtime reduce the overall cost of hydraulics.



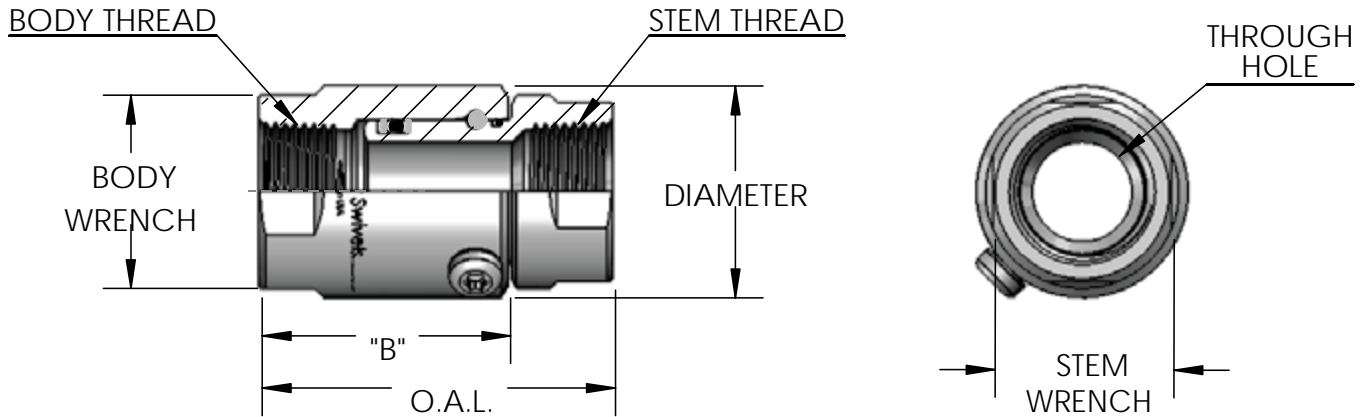
TM

Inline Swivels



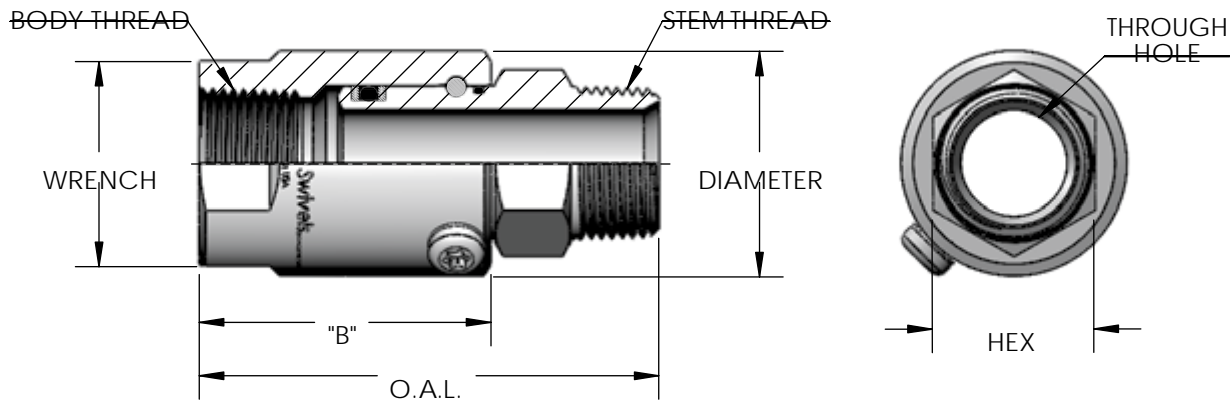
Switch Your Swivel![®]

Female Pipe (N.P.T.F.) X Female Pipe (N.P.T.F.)



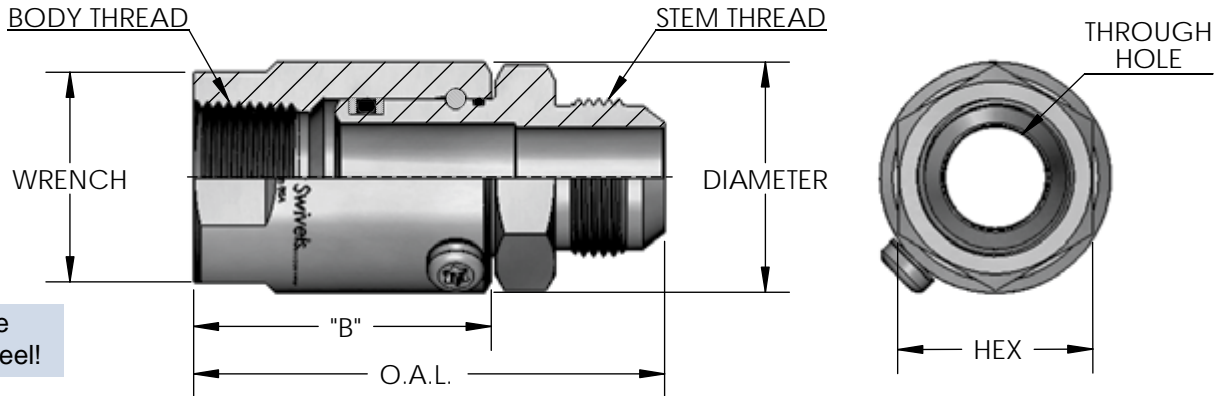
PART NUMBER	O.A.L.	DIM. B	DIAMETER	STEM THREAD	BODY THREAD	BODY WRENCH	STEM WRENCH	MAX P.S.I.G.	THROUGH HOLE
SS 2 FP 12.5 X FP 12.5	1.785	1.225	.734	1/8-27 N.P.T.F.	1/8-27 N.P.T.F.	0.625	0.625	5000	0.157
SS 4 FP 25 X FP 25	2.320	1.720	.992	1/4-18 N.P.T.F.	1/4-18 N.P.T.F.	0.875	0.750	5000	0.250
SS 8 FP 38 X FP 38	2.255	1.550	1.290	3/8-18 N.P.T.F.	3/8-18 N.P.T.F.	1.125	0.875	5000	0.530
SS 8 FP 50 X FP 50	2.480	1.650	1.480	1/2-14 N.P.T.F.	1/2-14 N.P.T.F.	1.250	1.125	5000	0.530
SS 12 FP 75 X FP 75	2.685	1.850	1.675	3/4-14 N.P.T.F.	3/4-14 N.P.T.F.	1.500	1.375	4500	0.689
SS 16 FP 100 X FP 100	3.200	2.685	1.918	1-11 $\frac{1}{2}$ N.P.T.F.	1-11 $\frac{1}{2}$ N.P.T.F.	1.750	1.625	4000	0.906
SS 20 FP 125 X FP 125	3.680	2.685	2.358	1 1/4-11 $\frac{1}{2}$ N.P.T.F.	1 1/4-11 $\frac{1}{2}$ N.P.T.F.	2.125	2.000	4000	1.181
SS 24 FP 150 X FP 150	4.050	2.950	2.548	1 1/2-11 $\frac{1}{2}$ N.P.T.F.	1 1/2-11 $\frac{1}{2}$ N.P.T.F.	2.375	2.375	4000	1.312
SS 32 FP 200 X FP 200	4.520	3.450	3.052	2-11 $\frac{1}{2}$ N.P.T.F.	2-11 $\frac{1}{2}$ N.P.T.F.	2.875	2.875	3000	1.781
SS 40 FP 250 X FP 250	5.165	3.785	3.572	2 1/2-8 N.P.T.F.	2 1/2-8 N.P.T.F.	3.375	3.375	2500	2.125

Male Pipe (N.P.T.F.) X Female Pipe (N.P.T.F.)



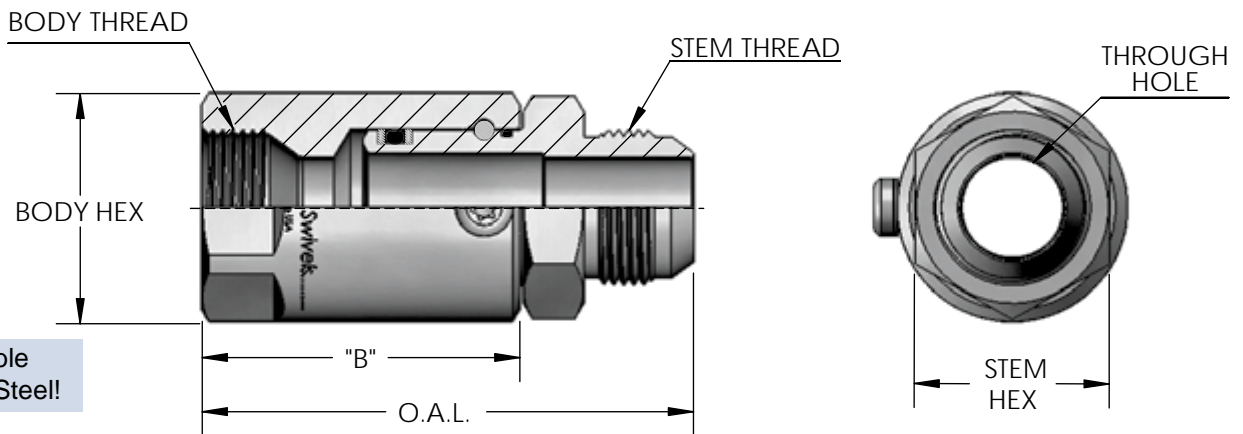
PART NUMBER	O.A.L.	DIM. B	STEM THREAD	BODY THREAD	HEX	DIAMETER	WRENCH	MAX P.S.I.G.	THROUGH HOLE
SS 2 MP 12.5 X FP 12.5	1.855	1.225	1/8-27 N.P.T.F.	1/8-27 N.P.T.F.	0.437	0.734	0.625	5000	0.157
SS 4 MP 25 X FP 25	2.450	1.720	1/4-18 N.P.T.F.	1/4-18 N.P.T.F.	0.625	0.992	0.875	5000	0.250
SS 8 MP 38 X FP 38	2.680	1.570	3/8-18 N.P.T.F.	3/8-18 N.P.T.F.	1.000	1.292	1.125	5000	0.406
SS 8 MP 50 X FP 50	2.840	1.650	1/2-14 N.P.T.F.	1/2-14 N.P.T.F.	1.000	1.480	1.250	5000	0.530
SS 12 MP 75 X FP 75	3.085	1.850	3/4-14 N.P.T.F.	3/4-14 N.P.T.F.	1.125	1.675	1.500	4500	0.689
SS 16 MP 100 X FP 100	3.675	2.480	1-11 $\frac{1}{2}$ N.P.T.F.	1-11 $\frac{1}{2}$ N.P.T.F.	1.375	1.917	1.750	4000	0.906
SS 20 MP 125 X FP 125	4.190	2.685	1 1/4-11 $\frac{1}{2}$ N.P.T.F.	1 1/4-11 $\frac{1}{2}$ N.P.T.F.	1.750	2.357	2.125	4000	1.181
SS 24 MP 150 X FP 150	4.625	2.950	1 1/2-11 $\frac{1}{2}$ N.P.T.F.	1 1/2-11 $\frac{1}{2}$ N.P.T.F.	2.000	2.550	2.375	4000	1.312
SS 32 MP 200 X FP 200	5.050	3.450	2-11 $\frac{1}{2}$ N.P.T.F.	2-11 $\frac{1}{2}$ N.P.T.F.	2.500	3.055	2.875	3000	1.781

Male J.I.C. (37°) X Female Pipe (N.P.T.F.)



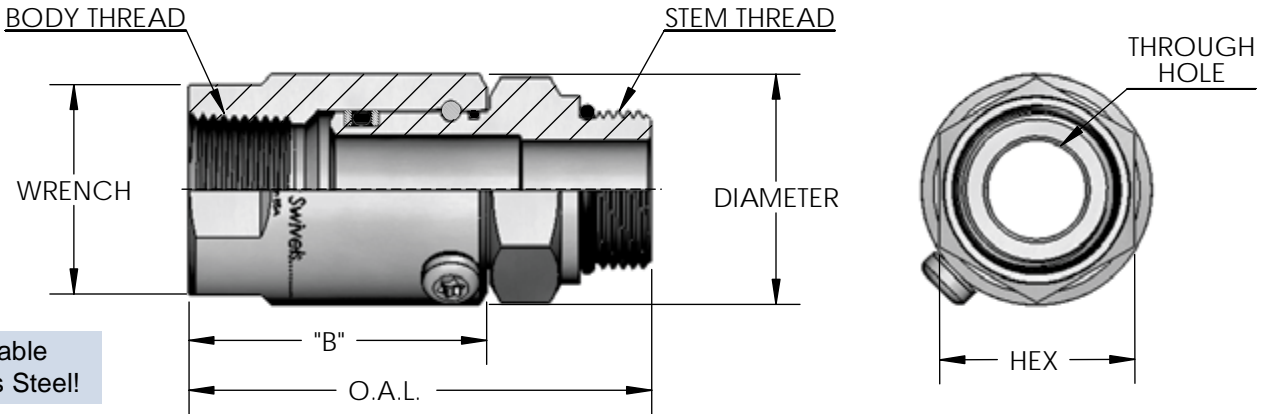
PART NUMBER	O.A.L.	DIM. B	STEM THREAD	BODY THREAD	STEM HEX	DIAMETER	WRENCH	MAX P.S.I.G.	THROUGH HOLE
SS 4 MJ 6 X FP 25	2.670	1.720	9/16-18 U.N.	1/4-18 N.P.T.F.	0.750	0.992	0.875	5000	0.250
SS 8 MJ 8 X FP 38	2.655	1.850	3/4-16 U.N.	3/8-18 N.P.T.F.	1.000	1.292	1.125	5000	0.406
SS 8 MJ 8 X FP 50	2.740	1.650	3/4-16 U.N.	1/2-14 N.P.T.F.	1.000	1.480	1.250	5000	0.406
SS 8 MJ 10 X FP 50	2.840	1.650	7/8-14 U.N.	1/2-14 N.P.T.F.	1.000	1.480	1.250	5000	0.484
SS 12 MJ 12 X FP 75	3.210	1.850	1 1/16-12 U.N.	3/4-14 N.P.T.F.	1.375	1.675	1.500	4500	0.609
SS 16 MJ 16 X FP 100	3.700	2.480	1 5/16-12 U.N.	1-11 1/2 N.P.T.F.	1.625	1.917	1.750	4000	0.844
SS 20 MJ 20 X FP 125	4.230	2.685	1 5/8-12 U.N.	1 1/4-11 1/2 N.P.T.F.	1.750	2.357	2.125	4000	1.078
SS 24 MJ 24 X FP 150	4.715	2.950	1 7/8-12 U.N.	1 1/2-11 1/2 N.P.T.F.	2.125	2.547	2.370	4000	1.312

Male J.I.C. (37°) X Female J.I.C. (37°)



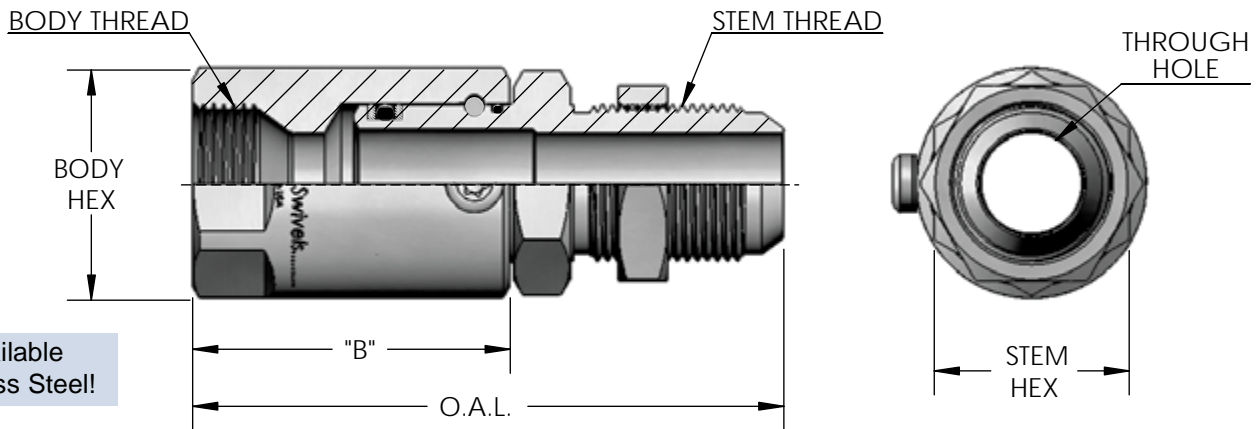
PART NUMBER	O.A.L.	DIM. B	STEM THREAD	BODY THREAD	STEM HEX	BODY HEX/WRENCH	BODY DIA.	MAX P.S.I.G.	THROUGH HOLE
SS 4 MJ 4 X FJ 4	2.578	1.648	7/16-20 U.N.	7/16-20 U.N.	0.750	1.000	HEX	5000	0.172
SS 4 MJ 5 X FJ 5	2.578	1.648	1/2-20 U.N.	1/2-20 U.N.	0.750	1.000	HEX	5000	0.234
SS 4 MJ 6 X FJ 6	2.770	1.820	9/16-18 U.N.	9/16-18 U.N.	0.750	1.000	HEX	5000	0.250
SS 8 MJ 8 X FJ 8	3.035	1.950	3/4-16 U.N.	3/4-16 U.N.	1.000	1.375	1.480	5000	0.406
SS 8 MJ 10 X FJ 10	3.235	2.050	7/8-14 U.N.	7/8-14 U.N.	1.000	1.375	1.480	5000	0.484
SS 12 MJ 12 X FJ 12	3.505	2.145	1 1/16-12 U.N.	1 1/16-12 U.N.	1.375	1.625	1.675	4500	0.609
SS 16 MJ 16 X FJ 16	4.091	2.646	1 5/16-12 U.N.	1 5/16-12 U.N.	1.625	1.750	1.917	4000	0.844
SS 20 MJ 20 X FJ 20	4.395	2.850	1 5/8-12 U.N.	1 5/8-12 U.N.	1.750	2.125	2.357	4000	1.078
SS 24 MJ 24 X FJ 24	5.175	3.410	1 7/8-12 U.N.	1 7/8-12 U.N.	2.125	2.375	2.550	4000	1.312

Male O-Ring (O.R.B.) X Female Pipe (N.P.T.F.)



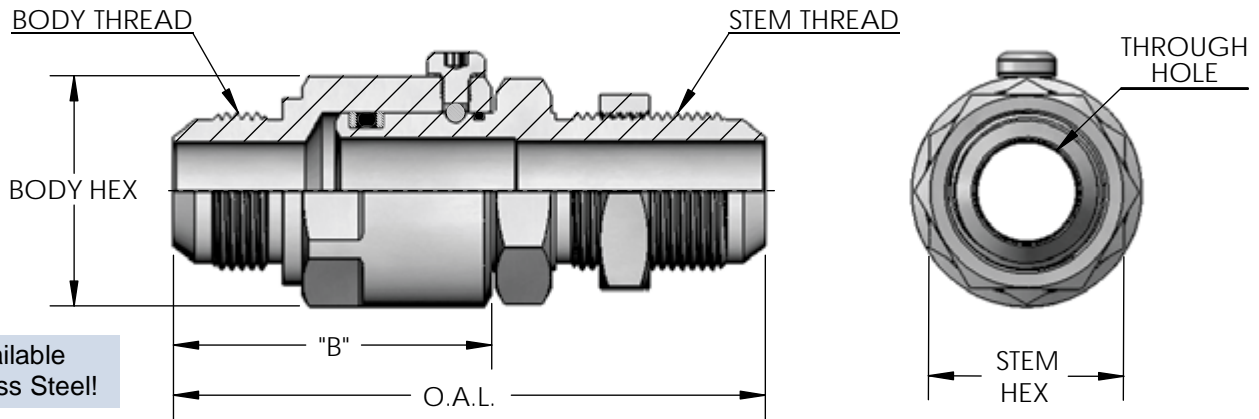
PART NUMBER	O.A.L.	DIM. B	STEM THREAD	BODY THREAD	HEX	DIAMETER	WRENCH	MAX P.S.I.G.	THROUGH HOLE
SS 4 MO 6 X FP 25	2.540	1.720	9/16-18 U.N.	1/4-18 N.P.T.F.	0.750	0.992	0.875	5000	0.250
SS 8 MO 8 X FP 38	2.510	1.550	3/4-16 U.N.	3/8-18 N.P.T.F.	1.000	1.292	1.125	5000	0.406
SS 8 MO 8 X FP 50	2.590	1.650	3/4-16 U.N.	1/2-14 N.P.T.F.	1.000	1.480	1.250	5000	0.406
SS 8 MO 10 X FP 50	2.710	1.650	7/8-14 U.N.	1/2-14 N.P.T.F.	1.000	1.480	1.250	5000	0.484
SS 12 MO 12 X FP 75	3.074	1.850	1 1/16-12 U.N.	3/4-14 N.P.T.F.	1.375	1.675	1.500	4500	0.609
SS 16 MO 16 X FP 100	3.625	2.250	1 5/16-12 U.N.	1-11 1/2 N.P.T.F.	1.625	1.917	1.750	4000	0.827
SS 20 MO 20 X FP 125	4.150	2.685	1 5/8-12 U.N.	1 1/4-11 1/2 N.P.T.F.	1.875	2.357	2.125	4000	1.078
SS 24 MO 24 X FP 150	4.550	2.950	1 7/8-12 U.N.	1 1/2-11 1/2 N.P.T.F.	2.125	2.547	2.375	4000	1.312

Male J.I.C. Bulkhead (37°) X Female J.I.C. (37°)



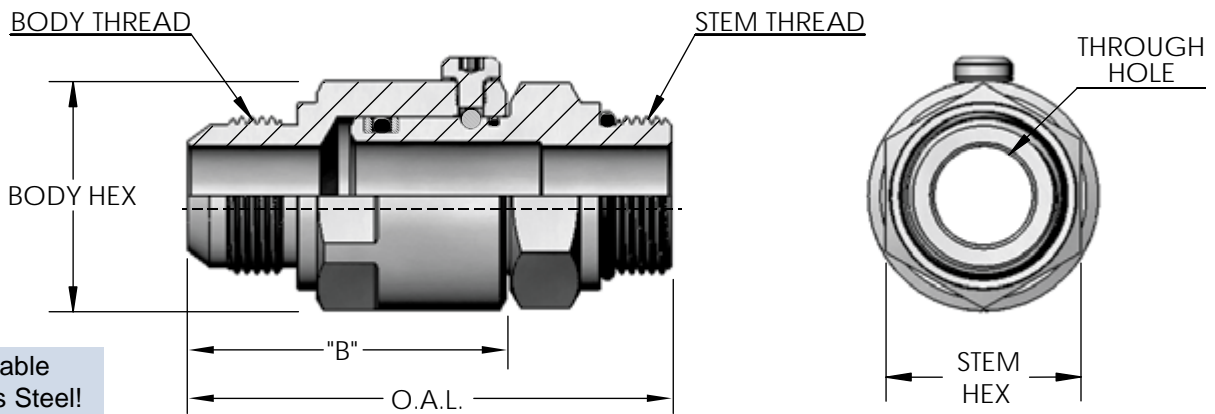
PART NUMBER	O.A.L.	DIM. B	STEM THREAD	BODY THREAD	STEM HEX	BODY HEX/WRENCH	BODY DIA.	MAX P.S.I.G.	THROUGH HOLE
SS 4 MJB 6 X FJ 6	3.410	1.820	9/16-18 U.N.	9/16-18 U.N.	.812	1.000	1.100	5000	0.250
SS 8 MJB 8 X FJ 8	3.770	1.950	3/4-16 U.N.	3/4-16 U.N.	1.000	1.375	1.480	5000	0.406
SS 8 MJB 10 X FJ 10	4.090	2.050	7/8-14 U.N.	7/8-14 U.N.	1.125	1.375	1.480	5000	0.484
SS 12 MJB 12 X FJ 12	4.425	2.145	1 1/16-12 U.N.	1 1/16-12 U.N.	1.375	1.625	1.675	4500	0.609
SS 16 MJB 16 X FJ 16	4.926	2.646	1 5/16-12 U.N.	1 5/16-12 U.N.	1.625	1.750	1.917	4000	0.844
SS 20 MJB 20 X FJ 20	5.290	2.850	1 5/8-12 U.N.	1 5/8-12 U.N.	1.875	2.125	2.357	4000	1.078

Male J.I.C. Bulkhead (37°) X Male J.I.C. (37°)



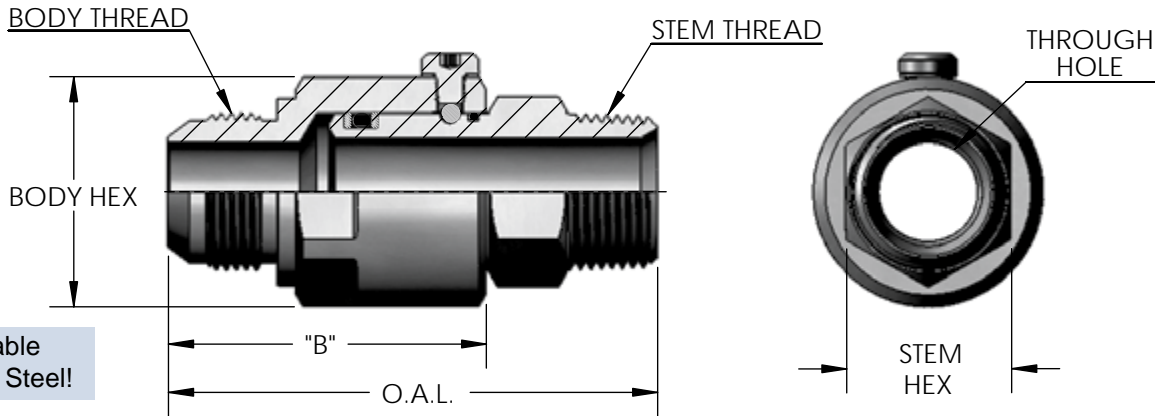
PART NUMBER	O.A.L	DIM. B	STEM THREAD	BODY THREAD	STEM HEX	BODY HEX/WRENCH	BODY DIA.	MAX P.S.I.G.	THROUGH HOLE
SS 4 MJB 6 X MJ 6	3.310	1.720	9/16-18 U.N.	9/16-18 U.N.	.812	1.000	1.100	5000	0.250
SS 8 MJB 8 X MJ 8	3.720	1.900	3/4-16 U.N.	3/4-16 U.N.	1.000	1.375	1.480	5000	0.406
SS 8 MJB 10 X MJ 10	4.090	2.050	7/8-14 U.N.	7/8-14 U.N.	1.125	1.375	1.480	5000	0.484
SS 12 MJB 12 X MJ 12	4.405	2.125	1 ¹ / ₁₆ -12 U.N.	1 ¹ / ₁₆ -12 U.N.	1.375	1.500	1.675	4500	0.609
SS 16 MJB 16 X MJ 16	4.930	2.650	1 ⁵ / ₁₆ -12U.N.	1 ⁵ / ₁₆ -12U.N.	1.625	1.750	1.917	4000	0.827
SS 20 MJB 20 X MJ 20	5.290	2.850	1 ⁵ / ₈ -12 U.N.	1 ⁵ / ₈ -12 U.N.	1.875	2.125	2.357	4000	1.078

Male O-Ring (O.R.B.) X Male J.I.C. (37°)



PART NUMBER	O.A.L	DIM. B	STEM THREAD	BODY THREAD	STEM HEX	BODY HEX/WRENCH	BODY DIA.	MAX P.S.I.G.	THROUGH HOLE
SS 4 MO 4 X MJ 4	2.540	1.720	7/16-20 U.N.	7/16-20 U.N.	0.625	1.000	HEX	5000	0.172
SS 4 MO 6 X MJ 6	2.540	1.720	9/16-18 U.N.	9/16-18 U.N.	0.750	1.000	HEX	5000	0.250
SS 8 MO 8 X MJ 8	2.838	1.900	3/4-16 U.N.	3/4-16 U.N.	1.000	1.375	1.480	5000	0.406
SS 8 MO 10 X MJ 8	2.960	1.900	7/8-14 U.N.	3/4-16 U.N.	1.000	1.375	1.480	5000	0.406
SS 8 MO 10 X MJ 10	3.110	2.050	7/8-14 U.N.	7/8-14 U.N.	1.000	1.375	1.492	5000	0.484
SS 12 MO 12 X MJ 12	3.349	2.125	1 ¹ / ₁₆ -12 U.N.	1 ¹ / ₁₆ -12 U.N.	1.375	1.500	1.675	4500	0.609
SS 16 MO 16 X MJ 16	4.024	2.650	1 ⁵ / ₁₆ -12 U.N.	1 ⁵ / ₁₆ -12U.N.	1.625	1.750	1.917	4000	0.827
SS 20 MO 20 X MJ 20	4.315	2.850	1 ⁵ / ₈ -12 U.N.	1 ⁵ / ₈ -12 U.N.	1.875	2.125	2.357	4000	1.078
SS 24 MO 24 X MJ 24	5.039	3.444	1 ⁷ / ₈ -12 U.N.	1 ⁷ / ₈ -12 U.N.	2.120	2.375	2.547	4000	1.312

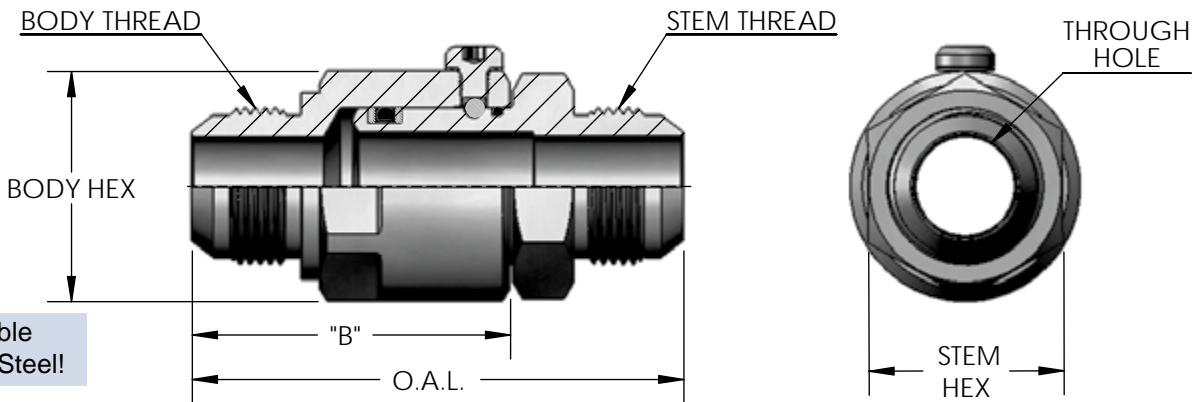
Male Pipe (N.P.T.F.) X Male J.I.C. (37°)



Not Available
In Stainless Steel!

PART NUMBER	O.A.L.	DIM. B	STEM THREAD	BODY THREAD	STEM HEX	BODY HEX/WRENCH	BODY DIA.	MAX P.S.I.G.	THROUGH HOLE
SS 4 MP 25 X MJ 4	2.450	1.720	1/4-18 N.P.T.F.	7/16-20 U.N.	0.625	1.000	HEX	5000	0.180
SS 4 MP 25 X MJ 6	2.695	1.720	1/4-18 N.P.T.F.	9/16-18 U.N.	0.625	1.000	HEX	5000	0.250
SS 4 MP 38 X MJ 6	2.700	1.720	3/8-18 N.P.T.F.	9/16-18 U.N.	0.750	1.000	HEX	5000	0.250
SS 8 MP 38 X MJ 8	3.010	1.900	3/8-18 N.P.T.F.	3/4-16 U.N.	1.000	1.375	1.480	5000	0.406
SS 8 MP 38 X MJ 10	3.160	2.050	3/8-18 N.P.T.F.	7/8-14 U.N.	1.000	1.375	1.480	5000	0.406
SS 8 MP 50 X MJ 8	3.090	1.900	1/2-14 N.P.T.F.	3/4-16 U.N.	1.000	1.375	1.480	5000	0.406
SS 8 MP 50 X MJ 10	3.230	2.050	1/2-14 N.P.T.F.	7/8-14 U.N.	1.000	1.375	1.480	5000	0.484
SS 12 MP 75 X MJ 12	3.360	2.125	3/4-14 N.P.T.F.	1 1/16-12 U.N.	1.125	1.500	1.675	4500	0.609
SS 16 MP 100 X MJ 16	4.075	2.650	1-11 1/2 N.P.T.F.	1 5/16-12 U.N.	1.375	1.750	1.917	4000	0.827
SS 20 MP 125 X MJ 20	4.355	2.850	1 1/4-11 1/2 N.P.T.F.	1 5/8-12 U.N.	1.750	2.125	2.357	4000	1.078
SS 24 MP 150 X MJ 24	5.119	3.444	1 1/2-11 1/2 N.P.T.F.	1 7/8-12 U.N.	2.000	2.375	2.557	4000	1.312

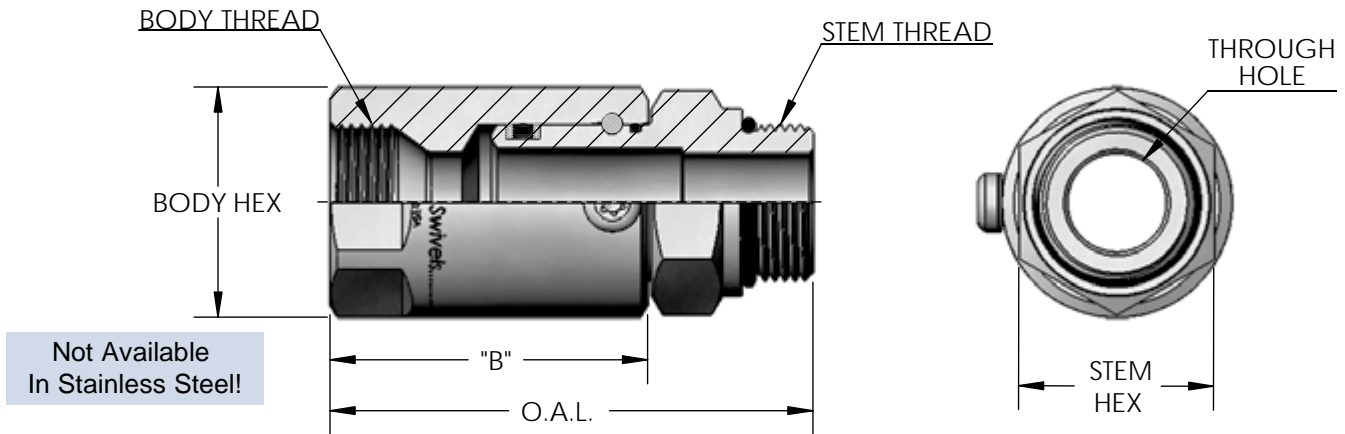
Male J.I.C. (37°) X Male J.I.C. (37°)



Not Available
In Stainless Steel!

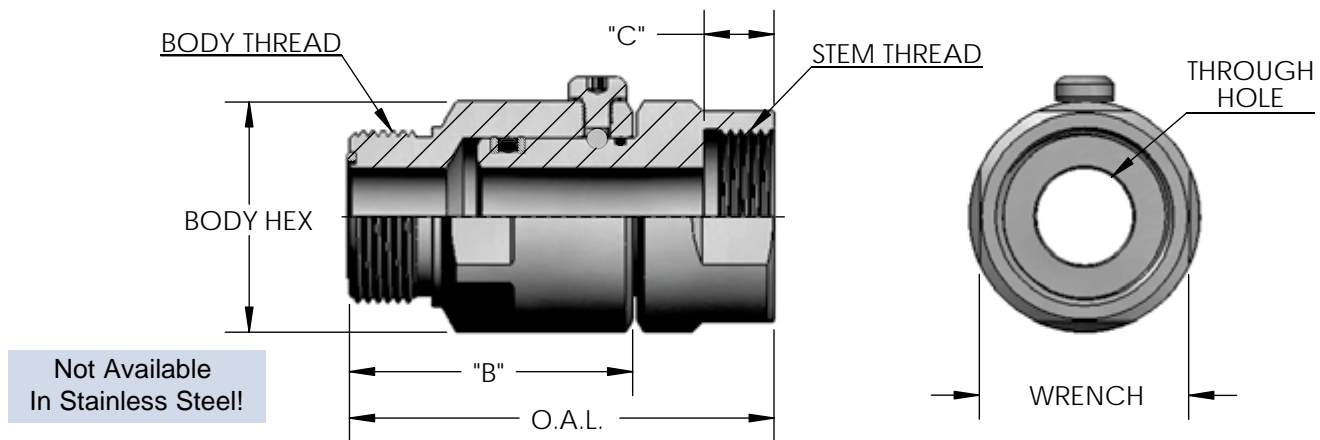
PART NUMBER	O.A.L.	DIM. B	STEM THREAD	BODY THREAD	STEM HEX	BODY HEX/WRENCH	BODY DIA.	MAX P.S.I.G.	THROUGH HOLE
SS 4 MJ 4 X MJ 4	2.650	1.720	7/16-20 U.N.	7/16-20 U.N.	0.750	1.000	HEX	5000	0.172
SS 4 MJ 6 X MJ 6	2.670	1.720	9/16-18 U.N.	9/16-18 U.N.	0.750	1.000	HEX	5000	0.250
SS 8 MJ 8 X MJ 8	2.985	1.900	3/4-16 U.N.	3/4-16 U.N.	1.000	1.375	1.480	5000	0.406
SS 8 MJ 10 X MJ 10	3.235	2.050	7/8-14 U.N.	7/8-14 U.N.	1.000	1.375	1.480	5000	0.484
SS 12 MJ 12 X MJ 12	3.485	2.125	1 1/16-12 U.N.	1 1/16-12 U.N.	1.375	1.500	1.675	4500	0.609
SS 16 MJ 16 X MJ 16	4.095	2.650	1 5/16-12 U.N.	1 5/16-12 U.N.	1.625	1.750	1.917	4000	0.827
SS 20 MJ 20 X MJ 20	4.395	2.850	1 5/8-12 U.N.	1 5/8-12 U.N.	1.750	2.125	2.357	4000	1.078
SS 24 MJ 24 X MJ 24	5.209	3.444	1 7/8-12 U.N.	1 7/8-12 U.N.	2.125	2.375	2.557	4000	1.312

Male O-Ring (O.R.B.) X Female J.I.C. (37°)



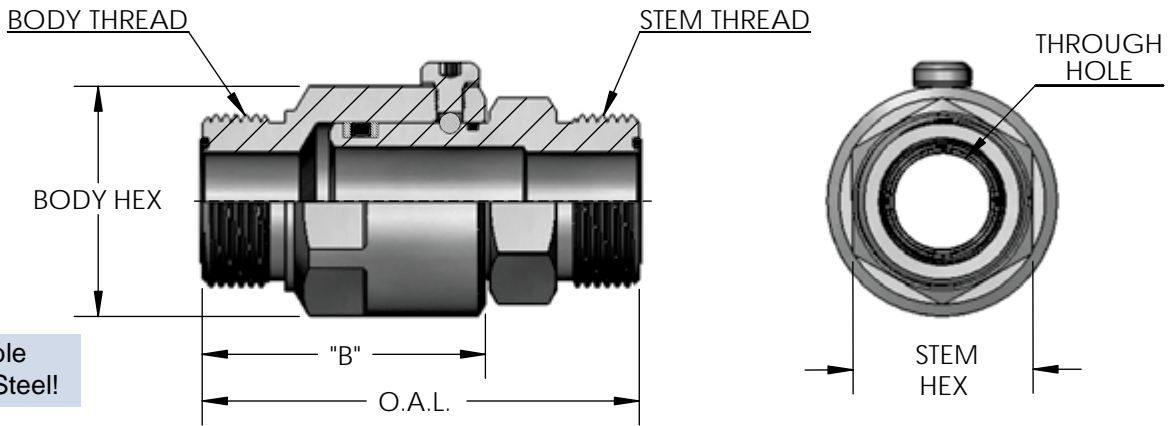
PART NUMBER	O.A.L.	DIM. B	STEM THREAD	BODY THREAD	STEM HEX	BODY HEX/WRENCH	BODY DIA.	MAX P.S.I.G.	THROUGH HOLE
SS 4 MO 6 X FJ 6	2.640	1.820	9/16-18 U.N.	9/16-18 U.N.	0.750	1.000	HEX	5000	0.250
SS 8 MO 8 X FJ 8	2.888	1.950	3/4-16 U.N.	3/4-16 U.N.	1.000	1.375	1.480	5000	0.406
SS 8 MO 10 X FJ 10	3.110	2.050	7/8-14 U.N.	7/8-14 U.N.	1.000	1.375	1.480	5000	0.484
SS 12 MO 12 X FJ 12	3.369	2.145	1 1/16-12 U.N.	1 1/16-12 U.N.	1.375	1.625	1.675	4500	0.609
SS 16 MO 16 X FJ 16	4.020	2.646	1 5/16-12 U.N.	1 5/16-12 U.N.	1.625	1.750	1.917	4000	0.827
SS 20 MO 20 X FJ 20	4.315	2.850	1 5/8-12 U.N.	1 5/8-12 U.N.	1.875	2.125	2.357	4000	1.078
SS 24 MO 24 X FJ 24	5.005	3.410	1 7/8-12 U.N.	1 7/8-12 U.N.	2.125	2.375	2.550	4000	1.312

Female Face Seal (F.F.S.) X Male Face Seal (M.F.S.)



PART NUMBER	O.A.L.	DIM. B	DIM. C	STEM THREAD	BODY THREAD	WRENCH	BODY HEX/WRENCH	MAX P.S.I.G.	THROUGH HOLE
SS 4 FFS 6 X MFS 6	2.200	1.640	0.375	11/16-16 U.N.	11/16-16 U.N.	0.875	1.000	5000	0.250
SS 8 FFS 8 X MFS 8	2.400	1.709	0.433	13/16-16 U.N.	13/16-16 U.N.	1.250	1.375	5000	0.390
SS 8 FFS 10 X MFS 10	2.550	1.815	0.504	1-14 U.N.	1-14 U.N.	1.250	1.375	5000	0.484
SS 12 FFS 12 X MFS 12	2.690	1.900	0.571	1 3/16-12 U.N.	1 3/16-12 U.N.	1.500	1.500	4500	0.609
SS 16 FFS 16 X MFS 16	3.210	2.360	0.583	1 7/16-12 U.N.	1 7/16-12 U.N.	1.750	1.750	4000	0.811
SS 20 FFS 20 X MFS 20	3.390	2.500	0.583	1 11/16-12 U.N.	1 11/16-12 U.N.	2.125	2.125	4000	1.024
SS 24 FFS 24 X MFS 2 4	3.950	3.050	0.583	2-12 U.N.	2-12 U.N.	2.375	2.375	4000	1.260

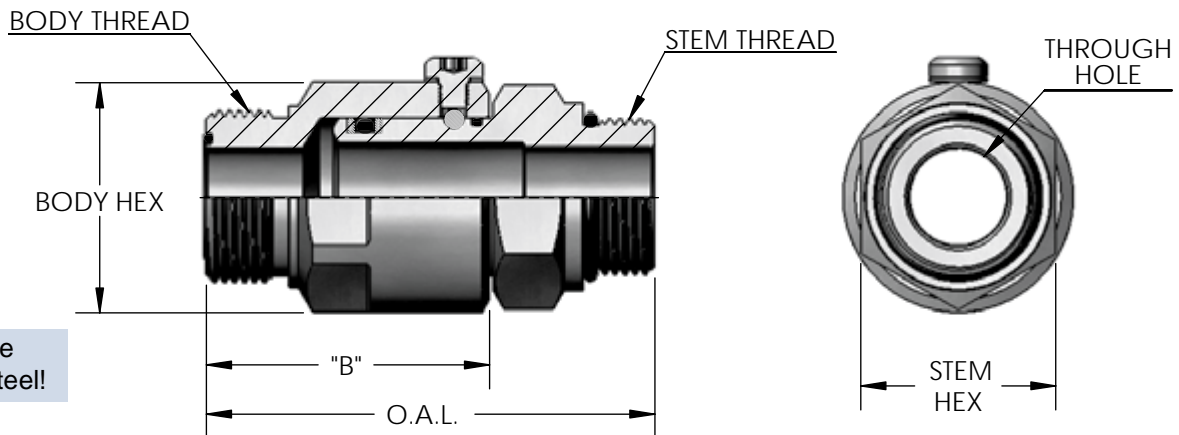
Male Face Seal (M.F.S.) X Male Face Seal (M.F.S.)



Not Available
In Stainless Steel!

PART NUMBER	O.A.L.	DIM. B	STEM THREAD	BODY THREAD	STEM HEX	BODY HEX/WRENCH	MAX P.S.I.G.	THROUGH HOLE
SS 4 MFS 6 X MFS 6	2.421	1.640	11/16-16 U.N.	11/16-16 U.N.	0.750	1.000	5000	0.250
SS 8 MFS 8 X MFS 8	2.633	1.709	13/16-16 U.N.	13/16-16 U.N.	1.000	1.375	5000	0.390
SS 8 MFS 10 X MFS 10	2.935	1.815	1-14 U.N.	1-14 U.N.	1.125	1.375	5000	0.484
SS 12 MFS 12 X MFS 12	3.120	1.900	1 ³ / ₁₆ -12 U.N.	1 ³ / ₁₆ -12 U.N.	1.250	1.500	4500	0.609
SS 16 MFS 16 X MFS 16	3.639	2.360	1 ⁷ / ₁₆ -12 U.N.	1 ⁷ / ₁₆ -12 U.N.	1.500	1.750	4000	0.811
SS 20 MFS 20 X MFS 20	3.859	2.500	1 ¹¹ / ₁₆ -12 U.N.	1 ¹¹ / ₁₆ -12 U.N.	1.750	2.125	4000	1.024
SS 24 MFS 24 X MFS 24	4.479	3.050	2-12 U.N.	2-12 U.N.	2.125	2.375	4000	1.312

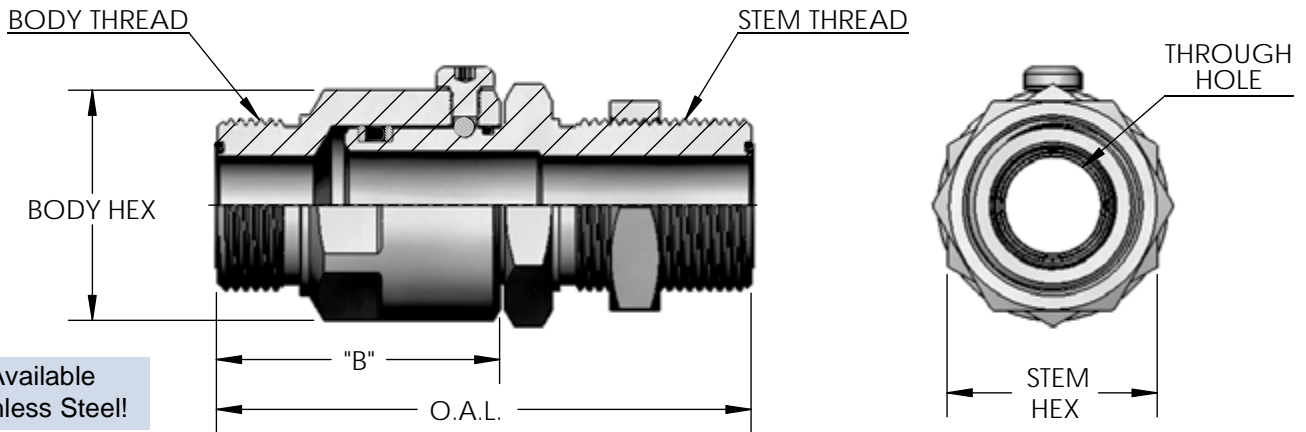
Male O-Ring (O.R.B.) X Male Face Seal (M.F.S.)



Not Available
In Stainless Steel!

PART NUMBER	O.A.L.	DIM. B	STEM THREAD	BODY THREAD	STEM HEX	BODY HEX/WRENCH	MAX P.S.I.G.	THROUGH HOLE
SS 4 MO 6 X MFS 6	2.460	1.640	9/16-18 U.N.	11/16-16 U.N.	0.750	1.000	5000	0.250
SS 8 MO 8 X MFS 8	2.647	1.709	3/4-16 U.N.	13/16-16 U.N.	1.000	1.375	5000	0.390
SS 8 MO 10 X MFS 10	2.875	1.815	7/8-14 U.N.	1-14 U.N.	1.000	1.375	5000	0.484
SS 12 MO 12 X MFS 12	3.124	1.900	1 ¹ / ₁₆ -12 U.N.	1 ³ / ₁₆ -12 U.N.	1.375	1.500	4500	0.609
SS 16 MO 16 X MFS 16	3.734	2.360	1 ⁵ / ₁₆ -12 U.N.	1 ⁷ / ₁₆ -12 U.N.	1.625	1.750	4000	0.811
SS 20 MO 20 X MFS 20	3.965	2.500	1 ⁵ / ₈ -12 U.N.	1 ¹¹ / ₁₆ -12 U.N.	1.875	2.125	4000	1.024
SS 24 MO 24 X MFS 24	4.645	3.050	1 ⁷ / ₈ -12 U.N.	2-12 U.N.	2.125	2.375	4000	1.312

Male Face Seal Bulkhead (M.F.S.B.) X Male Face Seal (M.F.S.)



Not Available
In Stainless Steel!

PART NUMBER	O.A.L.	DIM. B	STEM THREAD	BODY THREAD	STEM HEX	BODY HEX/WRENCH	MAX P.S.I.G.	THROUGH HOLE
SS 4 MFSB 6 X MFS 6	3.320	1.640	11/16-16 U.N.	11/16-16 U.N.	1.000	1.000	5000	0.250
SS 8 MFSB 8 X MFS 8	3.529	1.709	13/16-16 U.N.	13/16-16 U.N.	1.125	1.375	5000	0.390
SS 8 MFSB 10 X MFS 10	3.895	1.815	1-14 U.N.	1-14 U.N.	1.125	1.375	5000	0.484
SS 12 MFSB 12 X MFS 12	3.980	1.900	13/16-12 U.N.	13/16-12 U.N.	1.500	1.500	4500	0.609
SS 16 MFSB 16 X MFS 16	4.450	2.360	17/16-12 U.N.	17/16-12 U.N.	1.750	1.750	4000	0.811
SS 20 MFSB 20 X MFS 20	4.640	2.500	111/16-12 U.N.	111/16-12 U.N.	2.000	2.125	4000	1.024

Stainless Steel Swivels Are Available In Many Types & Sizes

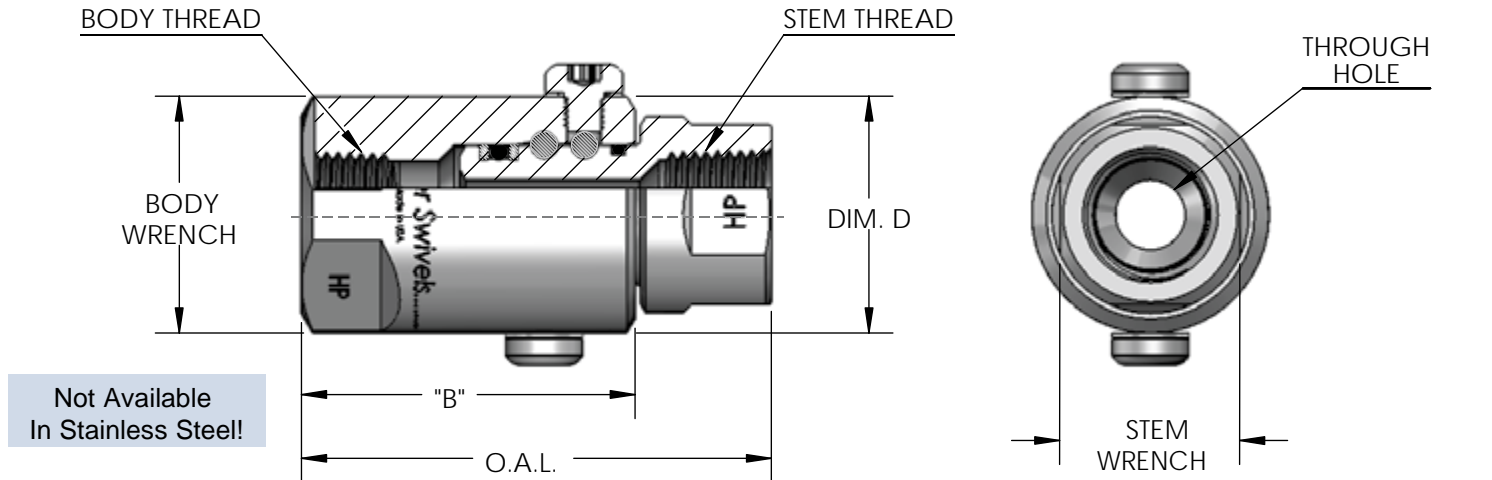
A large variety of Super Swivels are available in 304 & 440 Stainless Steel (pipe thread only).
Visit our web site: www.SuperSwivels.com to view or download a Stainless Steel Catalog




Super Swivels®
 Switch Your Swivel!
STAINLESS STEEL
 Hydraulic Live Swivels
 Inline & 90° Swivels
 304 & 440c Stainless Steel
 Heavy Duty Ball Bearing, Rebuildable Design
www.SuperSwivels.com 763-784-5531
 Email: sales@superswivels.com Fax: 763-784-7423

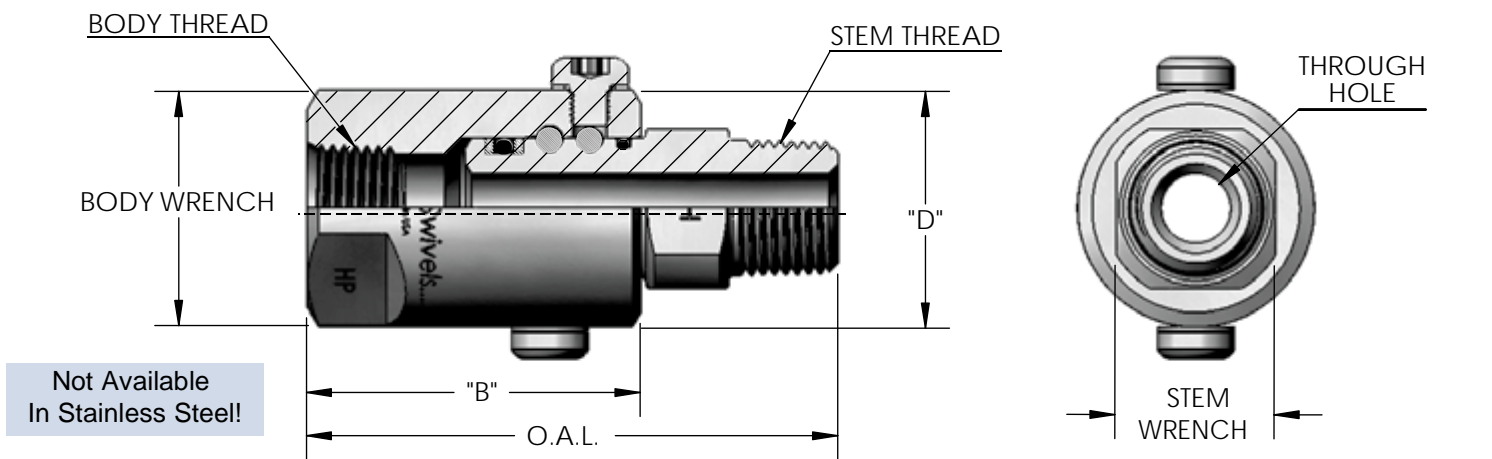


10,000 P.S.I. Female Pipe (N.P.T.F.) X Female Pipe (N.P.T.F.)



PART NUMBER	O.A.L.	DIM. B	DIM. D	WRENCH	BODY THREAD	STEM THREAD	STEM WRENCH	MAX P.S.I.G.	THROUGH HOLE
SS 8 HP FP 50 X FP 50	2.935	2.085	1.480	1.250	1/2-14 N.P.T.F.	1/2-14 N.P.T.F.	1.125	10,000	0.437

10,000 P.S.I. Male Pipe (N.P.T.F.) X Female Pipe (N.P.T.F.)



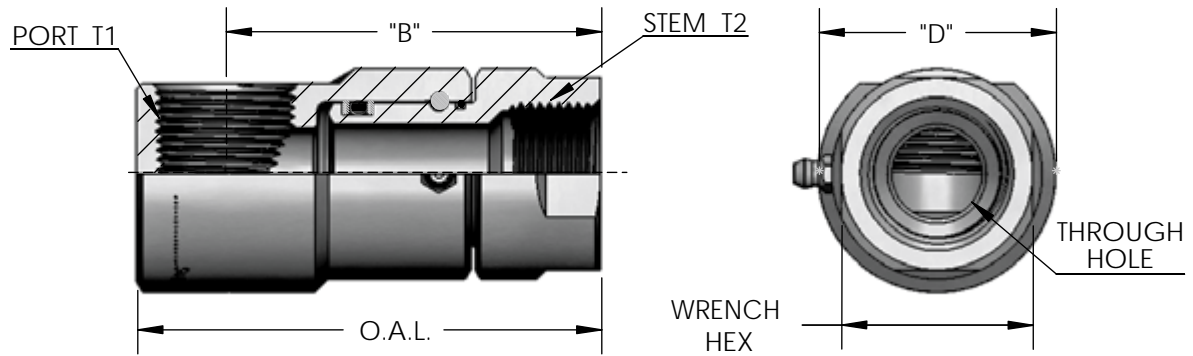
PART NUMBER	O.A.L.	DIM. B	DIM. D	WRENCH	BODY THREAD	STEM THREAD	STEM WRENCH	MAX P.S.I.G.	THROUGH HOLE
SS 8 HP MP 50 X FP 50	3.070	2.085	1.480	1.250	1/2-14 N.P.T.F.	1/2-14 N.P.T.F.	1.000	10,000	0.437

90° Swivels



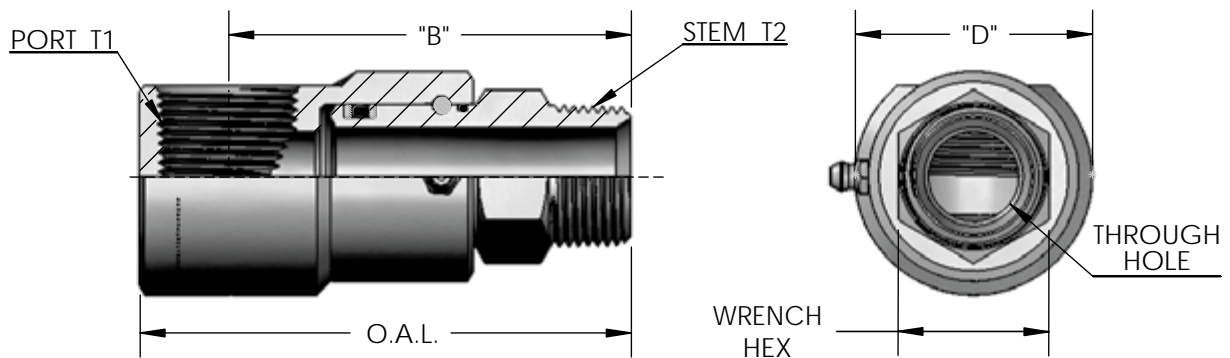
Switch Your Swivel![®]

Female Pipe (N.P.T.F.) X Female Pipe (N.P.T.F.)



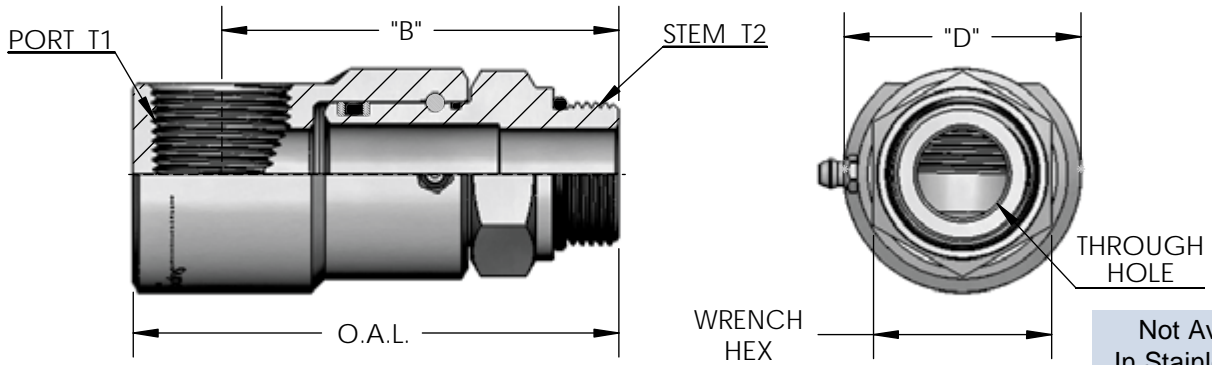
PART NUMBER	O.A.L.	DIM. B	DIM. D Ø	WRENCH/HEX	PORT T1	STEM T2	SWG. RADIUS	MAX. P.S.I.G.	THROUGH HOLE
9 SS 2 FP 12.5 X FP 12.5	1.784	1.524	0.879	0.625	1/8-27 N.P.T.F.	1/8-27 N.P.T.F.	0.375	5000	0.157
9 SS 4 FP 25 X FP 25	2.240	1.875	1.192	0.750	1/4-18 N.P.T.F.	1/4-18 N.P.T.F.	0.525	5000	0.250
9 SS 8 FP 38 X FP 38	2.540	2.060	1.495	0.875	3/8-18 N.P.T.F.	3/8-18 N.P.T.F.	0.588	5000	0.530
9 SS 8 FP 50 X FP 50	2.820	2.275	1.495	1.125	1/2-14 N.P.T.F.	1/2-14 N.P.T.F.	0.588	5000	0.530
9 SS 12 FP 75 X FP 75	3.030	2.365	1.710	1.375	3/4-14 N.P.T.F.	3/4-14 N.P.T.F.	0.662	4500	0.609
9 SS 16 FP 100 X FP 100	4.000	3.190	2.162	1.625	1-11½ N.P.T.F.	1-11½ N.P.T.F.	0.824	4000	0.827
9 SS 20 FP 125 X FP 125	4.365	3.395	2.702	2.000	1¼-11½ N.P.T.F.	1¼-11½ N.P.T.F.	1.049	4000	1.181
9 SS 24 FP 150 X FP 150	5.605	4.375	2.917	2.375	1½-11½ N.P.T.F.	1½-11½ N.P.T.F.	1.076	4000	1.312
9 SS 32 FP 200 X FP 200	6.420	5.050	3.667	2.875	2-11½ N.P.T.F.	2-11½ N.P.T.F.	1.386	3000	1.781

Male Pipe (N.P.T.F.) X Female Pipe (N.P.T.F.)



PART NUMBER	O.A.L.	DIM. B	DIM. D Ø	WRENCH/HEX	PORT T1	STEM T2	SWG. RADIUS	MAX. P.S.I.G.	THROUGH HOLE
9 SS 2 MP 12.5 X FP 12.5	1.855	1.595	0.879	0.437	1/8-27 N.P.T.F.	1/8-27 N.P.T.F.	0.375	5000	0.157
9 SS 4 MP 25 X FP 25	2.370	2.000	1.192	0.625	1/4-18 N.P.T.F.	1/4-18 N.P.T.F.	0.525	5000	0.250
9 SS 4 MP 38 X FP 25	2.450	2.080	1.192	0.750	1/4-18 N.P.T.F.	3/8-18 N.P.T.F.	0.525	5000	0.250
9 SS 7 MP 38 X FP 38	3.085	2.527	1.357	0.750	3/8-18 N.P.T.F.	3/8-18 N.P.T.F.	0.565	5000	0.406
9 SS 8 MP 38 X FP 38	2.960	2.480	1.495	1.000	3/8-18 N.P.T.F.	3/8-18 N.P.T.F.	0.588	5000	0.406
9 SS 8 MP 50 X FP 50	3.170	2.630	1.495	1.000	1/2-14 N.P.T.F.	1/2-14 N.P.T.F.	0.588	5000	0.530
9 SS 12 MP 75 X FP 75	3.430	2.760	1.710	1.125	3/4-14 N.P.T.F.	3/4-14 N.P.T.F.	0.643	4500	0.609
9 SS 16 MP 100 X FP 100	4.475	3.667	2.162	1.375	1-11½ N.P.T.F.	1-11 1/2 N.P.T.F.	0.824	4000	0.827
9 SS 20 MP 125 X FP 125	4.873	3.905	2.702	1.750	1¼-11½ N.P.T.F.	1 ¼-11½ N.P.T.F.	1.049	4000	1.181
9 SS 24 MP 150 X FP 150	6.185	4.955	2.917	2.125	1½-11½ N.P.T.F.	1½-11½ N.P.T.F.	1.076	4000	1.312
9 SS 32 MP 200 X FP 200	7.105	5.765	3.667	2.500	2-11½ N.P.T.F.	2-11½ N.P.T.F.	1.386	3000	1.781

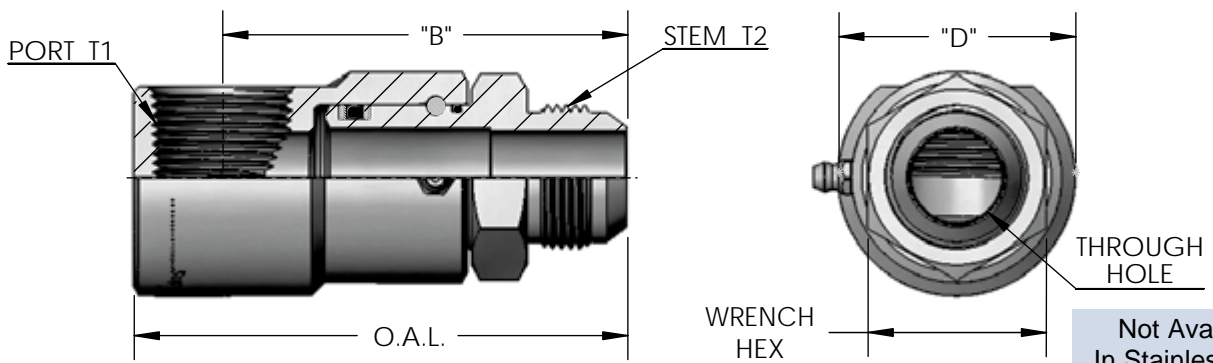
Male O-Ring (O.R.B.) X Female Pipe (N.P.T.F.)



Not Available
In Stainless Steel!

PART NUMBER	O.A.L.	DIM. B	DIM. D Ø	WRENCH/HEX	PORT T1	STEM T2	SWG. RADIUS	MAX. P.S.I.G.	THROUGH HOLE
9 SS 4 MO 4 X FP 25	2.460	2.090	1.192	0.625	1/4-18 N.P.T.F.	7/16-20 U.N.	0.525	5000	0.172
9 SS 4 MO 6 X FP 25	2.460	2.090	1.192	0.750	1/4-18 N.P.T.F.	9/16-18 U.N.	0.525	5000	0.250
9 SS 8 MO 8 X FP 38	2.790	2.310	1.495	1.000	3/8-18 N.P.T.F.	3/4-16 U.N.	0.588	5000	0.391
9 SS 8 MO 10 X FP 38	2.910	2.430	1.495	1.000	3/8-18 N.P.T.F.	7/8-14 U.N.	0.588	5000	0.484
9 SS 8 MO 8 X FP 50	2.923	2.376	1.495	1.000	1/2-14 N.P.T.F.	3/4-16 U.N.	0.588	5000	0.391
9 SS 8 MO 10 X FP 50	3.045	2.498	1.495	1.000	1/2-14 N.P.T.F.	7/8-14 U.N.	0.588	5000	0.484
9 SS 12 MO 12 X FP 75	3.419	2.754	1.710	1.375	3/4-14 N.P.T.F.	11/16-12 U.N.	0.643	4500	0.609
9 SS 16 MO 16 X FP 100	4.424	3.616	2.162	1.625	1-11 1/2 N.P.T.F.	15/16-12 U.N.	0.827	4000	0.827
9 SS 20 MO 20 X FP 125	4.833	3.865	2.702	1.875	1 1/4-11 1/2 N.P.T.F.	15/8-12 U.N.	1.049	4000	1.078
9 SS 24 MO 24 X FP 150	6.105	4.875	2.917	2.125	1 1/2-11 1/2 N.P.T.F.	17/8-12 U.N.	1.076	4000	1.312

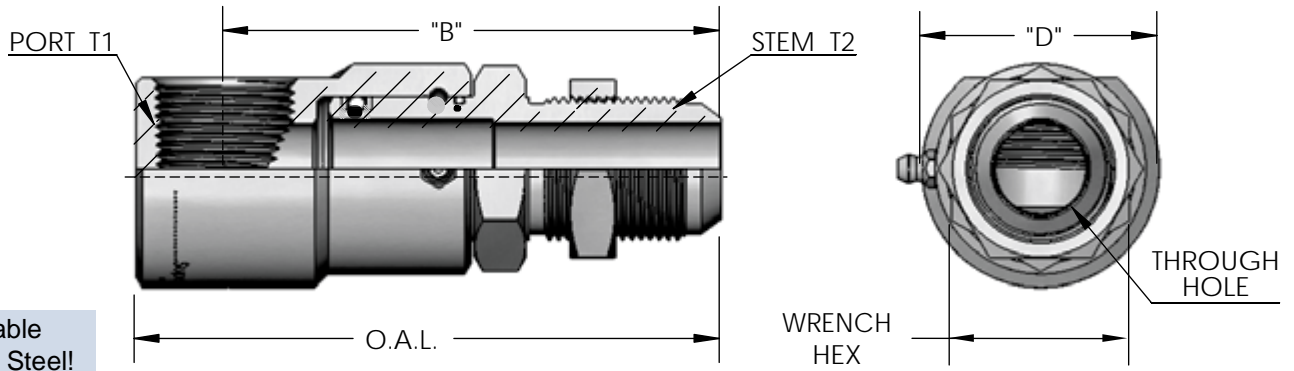
Male J.I.C. (37°) X Female Pipe (N.P.T.F.)



Not Available
In Stainless Steel!

PART NUMBER	O.A.L.	DIM. B	DIM. D Ø	WRENCH/HEX	PORT T1	STEM T2	SWG. RADIUS	MAX. P.S.I.G.	THROUGH HOLE
9 SS 4 MJ 4 X FP 25	2.570	2.200	1.192	0.750	1/4-18 N.P.T.F.	7/16-20 U.N.	0.525	5000	0.172
9 SS 4 MJ 6 X FP 25	2.590	2.220	1.192	0.750	1/4-18 N.P.T.F.	9/16-18 U.N.	0.525	5000	0.250
9 SS 8 MJ 8 X FP 38	2.940	2.460	1.495	1.000	3/8-18 N.P.T.F.	3/4-16 U.N.	0.651	5000	0.391
9 SS 8 MJ 10 X FP 38	3.040	2.560	1.495	1.000	3/8-18 N.P.T.F.	7/8-14 U.N.	0.651	5000	0.484
9 SS 8 MJ 8 X FP 50	3.070	2.523	1.495	1.000	1/2-14 N.P.T.F.	3/4-16 U.N.	0.581	5000	0.391
9 SS 8 MJ 10 X FP 50	3.170	2.623	1.495	1.000	1/2-14 N.P.T.F.	7/8-14 U.N.	0.581	5000	0.484
9 SS 12 MJ 12 X FP 75	3.555	2.890	1.710	1.375	3/4-14 N.P.T.F.	11/16-12 U.N.	0.643	4500	0.609
9 SS 16 MJ 16 X FP 100	4.495	3.687	2.162	1.625	1-11 1/2 N.P.T.F.	11/16-12 U.N.	0.741	4000	0.827
9 SS 20 MJ 20 X FP 125	4.913	3.945	2.702	1.750	1 1/4-11 1/2 N.P.T.F.	15/8-12 U.N.	1.049	4000	1.078
9 SS 24 MJ 24 X FP 150	6.275	5.045	2.917	2.125	1 1/2-11 1/2 N.P.T.F.	17/8-12 U.N.	1.072	4000	1.312

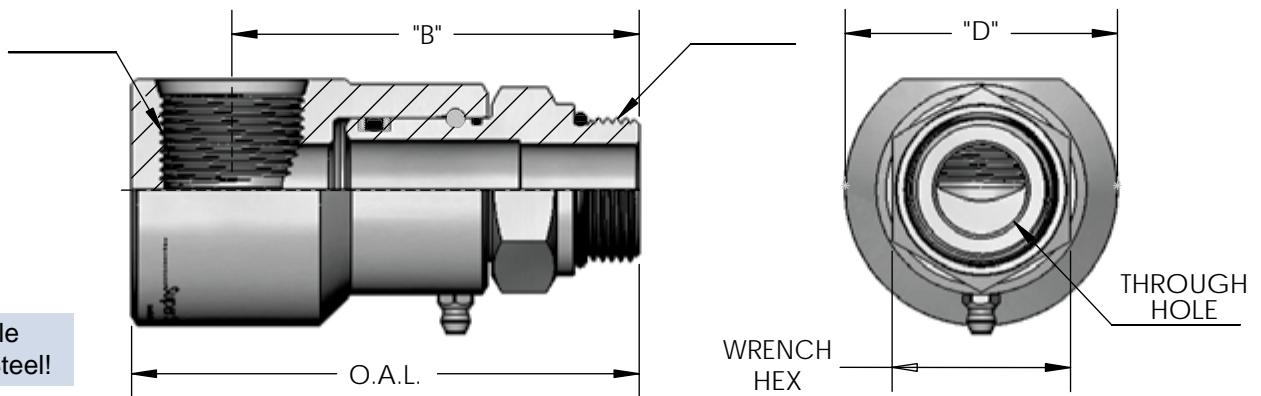
Male J.I.C. Bulkhead (37°) X Female Pipe (N.P.T.F.)



Not Available
In Stainless Steel!

PART NUMBER	O.A.L.	DIM. B	DIM. D Ø	WRENCH/HEX	PORT T1	STEM T2	SWG. RADIUS	MAX. P.S.I.G.	THROUGH HOLE
9 SS 4 MJB 6 X FP 25	3.230	2.860	1.190	.812	1/4-18 N.P.T.F.	9/16-18 U.N.	0.530	5000	0.250
9 SS 8 MJB 8 X FP 38	3.670	3.190	1.495	1.000	3/8-18 N.P.T.F.	3/4-16 U.N.	0.651	5000	0.406
9 SS 8 MJB 8 X FP 50	3.805	3.258	1.495	1.000	1/2-14 N.P.T.F.	3/4-16 U.N.	0.581	5000	0.406
9 SS 8 MJB 10 X FP 38	4.025	3.478	1.495	1.125	3/8-18 N.P.T.F.	7/8-14 U.N.	0.650	5000	0.484
9 SS 8 MJB 10 X FP 50	4.025	3.478	1.495	1.125	1/2-14 N.P.T.F.	7/8-14 U.N.	0.581	5000	0.484
9 SS 12 MJB 12 X FP 75	4.475	3.810	1.710	1.375	3/4-14 N.P.T.F.	1 ¹ / ₁₆ -12 U.N.	0.643	4500	0.609
9 SS 16 MJB 16 X FP 100	5.330	4.522	2.162	1.625	1-1 ¹ / ₂ N.P.T.F.	1 ⁵ / ₁₆ -12 U.N.	0.741	4000	0.827
9 SS 20 MJB 20 X FP 125	5.808	4.840	2.702	1.875	1 ¹ / ₄ -1 ¹ / ₂ N.P.T.F.	1 ⁵ / ₈ -12 U.N.	1.049	4000	1.073

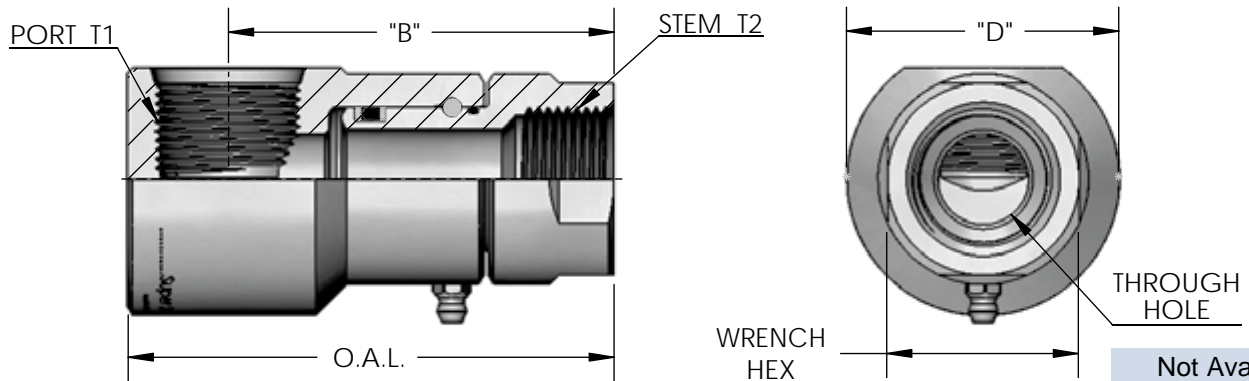
Male O-Ring (O.R.B.) X Female O-Ring (O.R.B.)



Not Available
In Stainless Steel!

PART NUMBER	O.A.L.	DIM. B	DIM. D Ø	WRENCH/HEX	PORT T1	STEM T2	SWG. RADIUS	MAX. P.S.I.G.	THROUGH HOLE
9 SS 4 MO 4 X FO 6	2.727	2.215	1.292	0.625	9/16-18 U.N.	7/16-20 U.N.	0.541	5000	0.172
9 SS 4 MO 6 X FO 6	2.727	2.215	1.292	0.750	9/16-18 U.N.	9/16-18 U.N.	0.541	5000	0.250
9 SS 8 MO 8 X FO 8	2.920	2.375	1.662	1.000	3/4-16 U.N.	3/4-16 U.N.	0.703	5000	0.391
9 SS 8 MO 10 X FO 8	3.050	2.500	1.662	1.000	3/4-16 U.N.	7/8-14 U.N.	0.703	5000	0.484
9 SS 12 MO 12 X FO 12	3.709	2.884	2.172	1.375	1 ¹ / ₁₆ -12 U.N.	1 ¹ / ₁₆ -12 U.N.	0.900	4500	0.609
9 SS 16 MO 16 X FO 16	4.624	3.709	2.482	1.625	1 ⁵ / ₁₆ -12 U.N.	1 ⁵ / ₁₆ -12 U.N.	1.009	4000	0.827
9 SS 20 MO 20 X FO 20	5.127	4.044	2.977	1.875	1 ⁵ / ₈ -12 U.N.	1 ⁵ / ₈ -12 U.N.	1.184	4000	1.078

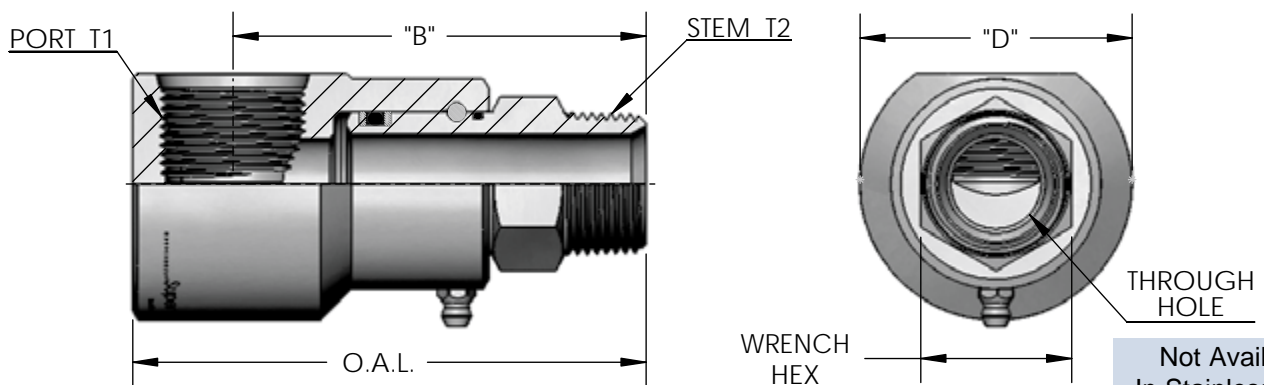
Female Pipe (N.P.T.F.) X Female O-Ring (O.R.B.)



Not Available
In Stainless Steel!

PART NUMBER	O.A.L.	DIM. B	DIM. D Ø	WRENCH/HEX	PORT T1	STEM T2	SWG. RADIUS	MAX. P.S.I.G.	THROUGH HOLE
9 SS 4 FP 25 X FO 6	2.510	2.000	1.292	0.750	9/16-18 U.N.	1/4-18 N.P.T.F.	0.541	5000	0.250
9 SS 8 FP 38 X FO 8	2.670	2.125	1.662	0.875	3/4-16 U.N.	3/8-18 N.P.T.F.	0.703	5000	0.530
9 SS 8 FP 50 X FO 8	2.820	2.270	1.662	1.125	3/4-16 U.N.	1/2-14 N.P.T.F.	0.703	5000	0.530
9 SS 12 FP 75 X FO 12	3.320	2.500	2.172	1.375	1 1/16-12 U.N.	3/4-14 N.P.T.F.	0.900	4500	0.609
9 SS 16 FP 100 X FO 16	4.200	3.280	2.482	1.625	1 5/16-12 U.N.	1-11 1/2 N.P.T.F.	1.009	4000	0.827
9 SS 20 FP 125 X FO 20	4.660	3.574	2.977	2.000	1 5/8-12 U.N.	1 1/4-11 1/2 N.P.T.F.	1.185	4000	1.181

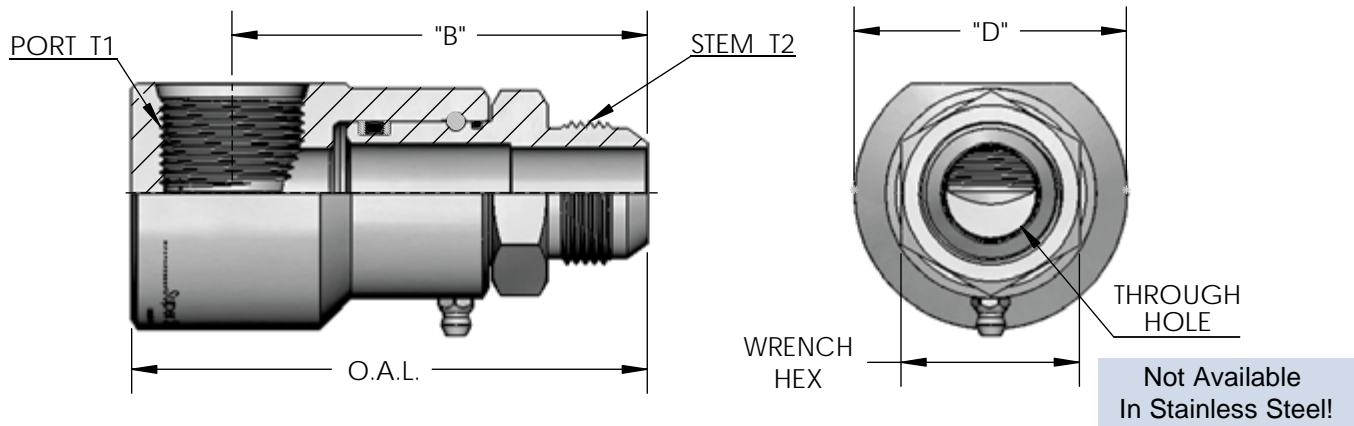
Male Pipe (N.P.T.F.) X Female O-Ring (O.R.B.)



Not Available
In Stainless Steel!

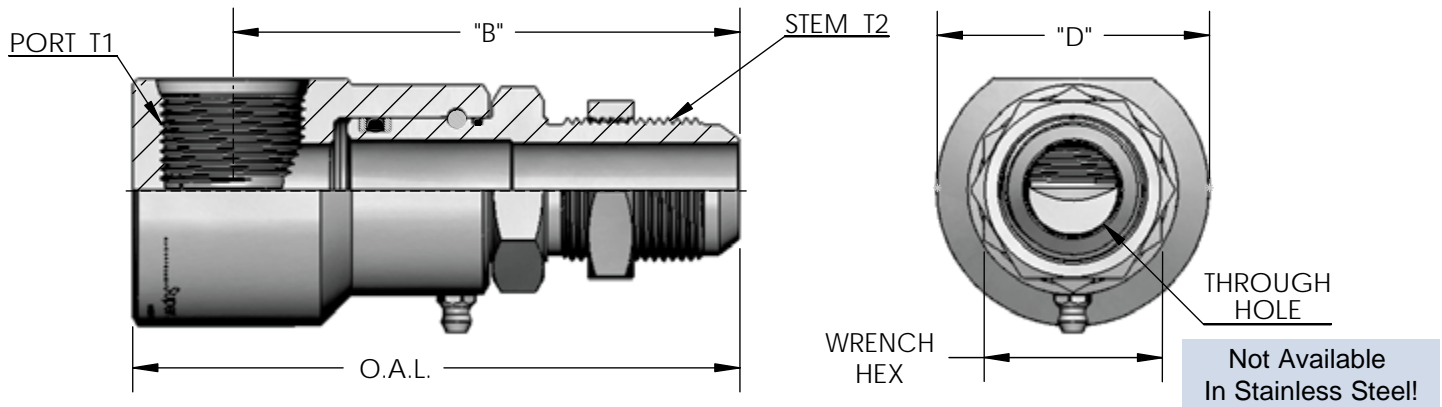
PART NUMBER	O.A.L.	DIM. B	DIM. D Ø	WRENCH/HEX	PORT T1	STEM T2	SWG. RADIUS	MAX. P.S.I.G.	THROUGH HOLE
9 SS 4 MP 25 X FO 6	2.640	2.130	1.292	0.625	9/16-18 U.N.	1/4-18 N.P.T.F.	0.541	5000	0.250
9 SS 4 MP 38 X FO 6	2.720	2.200	1.292	0.750	9/16-18 U.N.	3/8-18 N.P.T.F.	0.541	5000	0.250
9 SS 8 MP 38 X FO 8	3.100	2.550	1.662	1.000	3/4-16 U.N.	3/8-18 N.P.T.F.	0.703	5000	0.406
9 SS 8 MP 50 X FO 8	3.170	2.620	1.662	1.000	3/4-16 U.N.	1/2-14 N.P.T.F.	0.703	5000	0.530
9 SS 12 MP 75 X FO 12	3.720	2.895	2.172	1.125	1 1/16-12 U.N.	3/4-14 N.P.T.F.	0.900	4500	0.609
9 SS 16 MP 100 X FO 16	4.675	3.760	2.482	1.375	1 5/16-12 U.N.	1-11 1/2 N.P.T.F.	1.009	4000	0.827
9 SS 20 MP 125 X FO 20	5.167	4.084	2.977	1.750	1 5/8-12 U.N.	1 1/4-11 1/2 N.P.T.F.	1.184	4000	1.181

Male J.I.C. (37°) X Female O-Ring (O.R.B.)



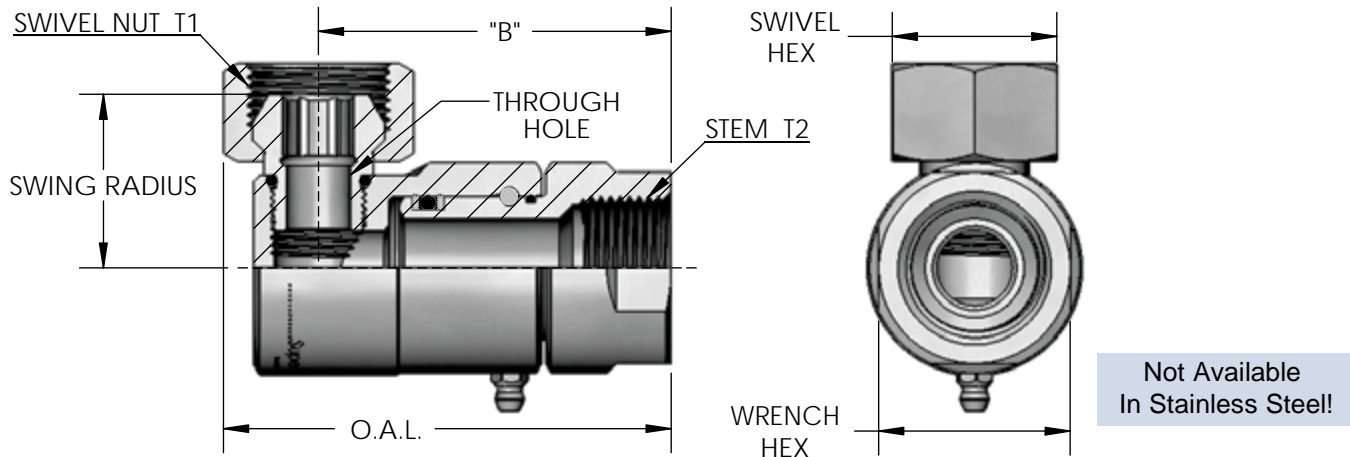
PART NUMBER	O.A.L.	DIM. B	DIM. D Ø	WRENCH/HEX	PORT T1	STEM T2	SWG. RADIUS	MAX. P.S.I.G.	THROUGH HOLE
9 SS 4 MJ 4 X FO 6	2.837	2.325	1.292	0.750	9/16-18 U.N.	7/16-20 U.N.	0.541	5000	0.172
9 SS 4 MJ 6 X FO 6	2.857	2.345	1.292	0.750	9/16-18 U.N.	9/16-18 U.N.	0.541	5000	0.250
9 SS 8 MJ 8 X FO 8	3.070	2.520	1.662	1.000	3/4-16 U.N.	3/4-16 U.N.	0.703	5000	0.391
9 SS 8 MJ 10 X FO 8	3.170	2.600	1.662	1.000	3/4-16 U.N.	7/8-14 U.N.	0.703	5000	0.484
9 SS 12 MJ 12 X FO 12	3.845	3.020	2.172	1.375	1 1/16-12 U.N.	1 1/16-12 U.N.	0.900	4500	0.609
9 SS 16 MJ 16 X FO 16	4.695	3.780	2.482	1.625	1 5/16-12 U.N.	1 5/16-12 U.N.	1.009	4000	0.827
9 SS 20 MJ 20 X FO 20	5.207	4.124	2.977	1.750	1 5/8-12 U.N.	1 5/8-12 U.N.	1.184	4000	1.078

Male J.I.C. Bulkhead (37°) X Female O-Ring (O.R.B.)



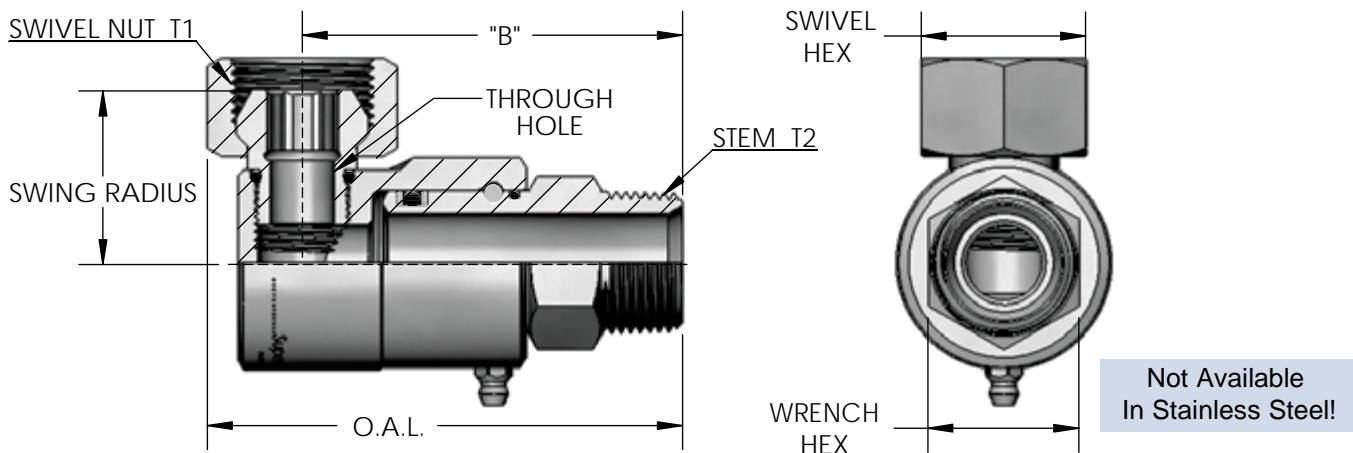
PART NUMBER	O.A.L.	DIM. B	DIM. D Ø	WRENCH/HEX	PORT T1	STEM T2	SWG. RADIUS	MAX. P.S.I.G.	THROUGH HOLE
9 SS 4 MJB 6 X FO 6	3.500	2.990	1.290	.812	9/16-18 U.N.	9/16-18 U.N.	0.580	5000	0.250
9 SS 8 MJB 8 X FO 8	3.800	3.240	1.662	1.000	3/4-16 U.N.	3/4-16 U.N.	0.703	5000	0.391
9 SS 8 MJB 10 X FO 8	4.030	3.480	1.662	1.125	3/4-16 U.N.	7/8-14 U.N.	0.703	5000	0.484
9 SS 12 MJB 12 X FO 12	4.765	3.940	2.172	1.375	1 1/16-12 U.N.	1 1/16-12 U.N.	0.900	4500	0.609
9 SS 16 MJB 16 X FO 16	5.530	4.615	2.482	1.625	1 5/16-12 U.N.	1 5/16-12 U.N.	1.009	4000	0.827
9 SS 20 MJB 20 X FO 20	6.102	5.019	2.977	1.875	1 5/8-12 U.N.	1 5/8-12 U.N.	1.184	4000	1.078

Female Pipe (N.P.T.F.) X Pipe Swivel (N.P.S.M.)



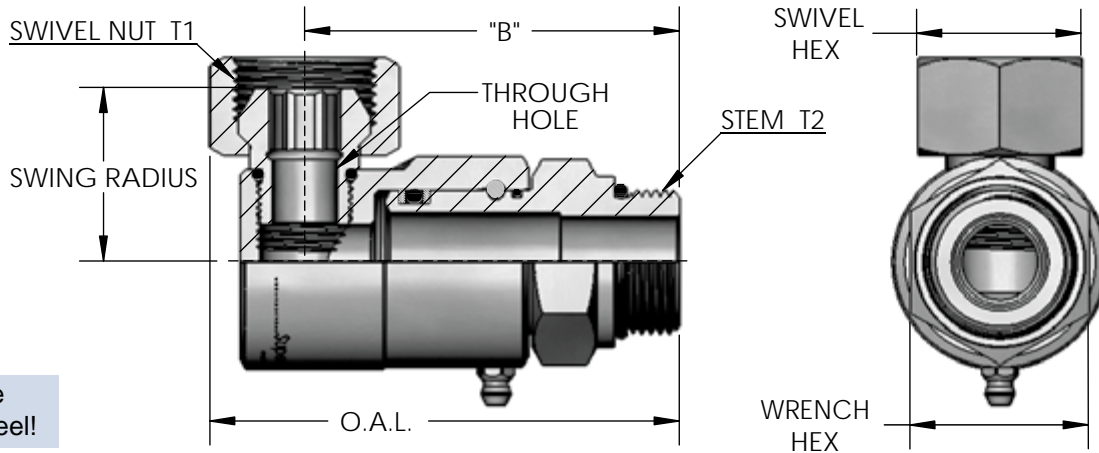
PART NUMBER	O.A.L.	DIM. B	SWIVEL HEX	WRENCH/HEX	SWIVEL NUT T1	STEM T2	SWG. RADIUS	MAX. P.S.I.G.	THROUGH HOLE
9 SS 4 FP 25 X PS 25	2.510	2.000	0.687	0.750	1/4-18 N.P.S.M.	1/4-18 N.P.T.F.	1.326	3500	0.218
9 SS 4 FP 25 X PS 38	2.510	2.000	0.875	0.750	3/8-18 N.P.S.M.	1/4-18 N.P.T.F.	1.555	3500	0.250
9 SS 8 FP 38 X PS 38	2.670	2.120	0.875	0.875	3/8-18 N.P.S.M.	3/8-18 N.P.T.F.	1.437	3500	0.327
9 SS 8 FP 50 X PS 50	2.850	2.270	1.000	1.125	1/2-14 N.P.S.M.	1/2-14 N.P.T.F.	1.521	3500	0.390
9 SS 12 FP 75 X PS 75	3.080	2.360	1.250	1.375	3/4-14 N.P.S.M.	3/4-14 N.P.T.F.	1.664	3500	0.521
9 SS 16 FP 100 X PS 100	3.850	2.980	1.500	1.625	1-11 ¹ / ₂ N.P.S.M.	1-11 ¹ / ₂ N.P.T.F.	1.956	3500	0.590
9 SS 20 FP 125 X PS 125	4.365	3.285	1.875	2.000	1 ¹ / ₄ -11 ¹ / ₂ N.P.S.M.	1 ¹ / ₄ -11 ¹ / ₂ N.P.T.F.	2.570	3500	0.906
9 SS 24 FP 150 X PS 150	5.600	4.375	2.125	2.630	1 ¹ / ₂ -11 ¹ / ₂ N.P.S.M.	1 ¹ / ₂ -11 ¹ / ₂ N.P.T.F.	2.630	3500	1.040

Male Pipe (N.P.T.F.) X Pipe Swivel (N.P.S.M.)



PART NUMBER	O.A.L.	DIM. B	SWIVEL HEX	WRENCH/HEX	SWIVEL NUT T1	STEM T2	SWG. RADIUS	MAX. P.S.I.G.	THROUGH HOLE
9 SS 4 MP 25 X PS 25	2.640	2.120	0.687	0.625	1/4-18 N.P.S.M.	1/4-18 N.P.T.F.	1.326	3500	0.218
9 SS 4 MP 38 X PS 25	2.720	2.210	0.687	0.750	1/4-18 N.P.S.M.	3/8-18 N.P.T.	1.326	3500	0.218
9 SS 4 MP 25 X PS 38	2.640	2.120	0.875	0.625	3/8-18 N.P.S.M.	1/4-18 N.P.T.F.	1.555	3500	0.250
9 SS 4 MP 38 X PS 38	2.720	2.210	0.875	0.750	3/8-18 N.P.S.M.	3/8-18 N.P.T.	1.555	3500	0.250
9 SS 8 MP 38 X PS 38	3.095	2.548	0.875	1.000	3/8-18 N.P.S.M.	3/8-18 N.P.T.F.	1.437	3500	0.327
9 SS 8 MP 50 X PS 50	3.170	2.620	1.000	1.000	1/2-14 N.P.S.M.	1/2-14 N.P.T.F.	1.521	3500	0.390
9 SS 12 MP 75 X PS 75	3.481	2.760	1.250	1.125	3/4-14 N.P.S.M.	3/4-14 N.P.T.F.	1.664	3500	0.521
9 SS 16 MP 100 X PS 100	4.327	3.462	1.500	1.375	1-11 ¹ / ₂ N.P.S.M.	1-11 ¹ / ₂ N.P.T.F.	1.956	3500	0.590
9 SS 20 MP 125 X PS 125	4.877	3.795	1.875	1.750	1 ¹ / ₄ -11 ¹ / ₂ N.P.S.M.	1 ¹ / ₄ -11 ¹ / ₂ N.P.T.F.	2.570	3500	0.906
9 SS 24 MP 150 X PS 150	6.185	4.955	2.125	2.000	1 ¹ / ₂ -11 ¹ / ₂ N.P.S.M.	1 ¹ / ₂ -11 ¹ / ₂ N.P.T.F.	2.630	3500	1.040

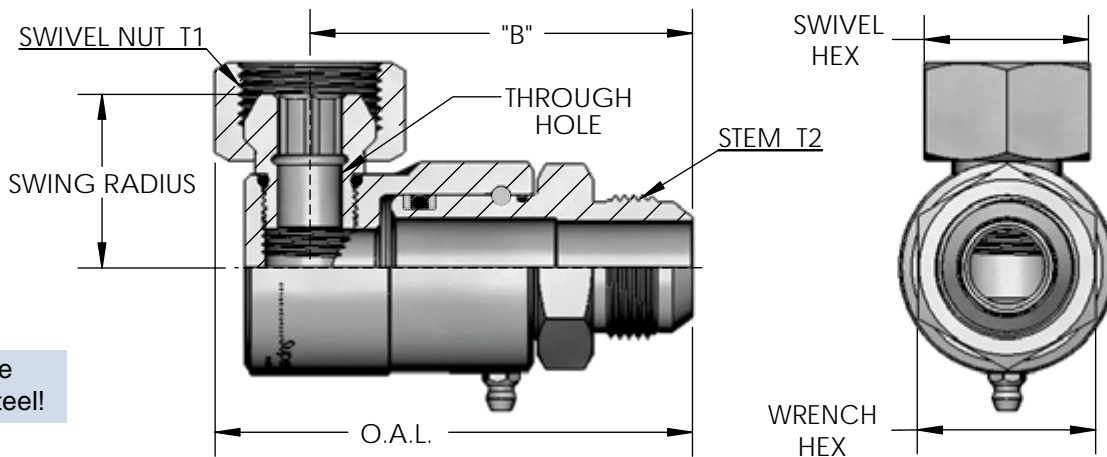
Male O-Ring (O.R.B.) X Pipe Swivel (N.P.S.M.)



Not Available
In Stainless Steel!

PART NUMBER	O.A.L.	DIM. B	SWIVEL HEX	WRENCH/HEX	SWIVEL NUT T1	STEM T2	SWG. RADIUS	MAX. P.S.I.G.	THROUGH HOLE
9 SS 4 MO 4 X PS 25	2.727	2.215	0.687	0.625	1/4-18 N.P.S.M.	7/16-20 U.N.	1.326	3500	0.172
9 SS 4 MO 6 X PS 25	2.727	2.215	0.687	0.750	1/4-18 N.P.S.M.	9/16-18 U.N.	1.326	3500	0.218
9 SS 4 MO 6 X PS 38	2.727	2.215	0.875	0.750	3/8-18 N.P.S.M.	9/16-18 U.N.	1.555	3500	0.250
9 SS 8 MO 8 X PS 38	2.923	2.376	0.875	1.000	3/8-18 N.P.S.M.	3/4-16 U.N.	1.437	3500	0.327
9 SS 8 MO 8 X PS 50	2.953	2.376	1.000	1.000	1/2-14 N.P.S.M.	3/4-16 U.N.	1.521	3500	0.327
9 SS 8 MO 10 X PS 50	3.075	2.498	1.000	1.000	1/2-14 N.P.S.M.	7/8-14 U.N.	1.521	3500	0.390
9 SS 12 MO 12 X PS 75	3.470	2.749	1.250	1.375	3/4-14 N.P.S.M.	1 ¹ / ₁₆ -12 U.N.	1.664	3500	0.521
9 SS 16 MO 16 X PS 100	4.276	3.411	1.500	1.625	1-11 ¹ / ₂ N.P.S.M.	1 ⁵ / ₁₆ -12 U.N.	1.956	3500	0.590
9 SS 20 MO 20 X PS 125	4.837	3.755	1.875	1.875	1 ¹ / ₄ -11 ¹ / ₂ N.P.S.M.	1 ⁵ / ₈ -12 U.N.	2.570	3500	0.906
9 SS 24 MO 24 X PS 150	6.105	4.875	2.125	2.125	1 ¹ / ₂ -11 ¹ / ₂ N.P.S.M.	1 ⁷ / ₈ -12 U.N.	2.630	3500	1.040

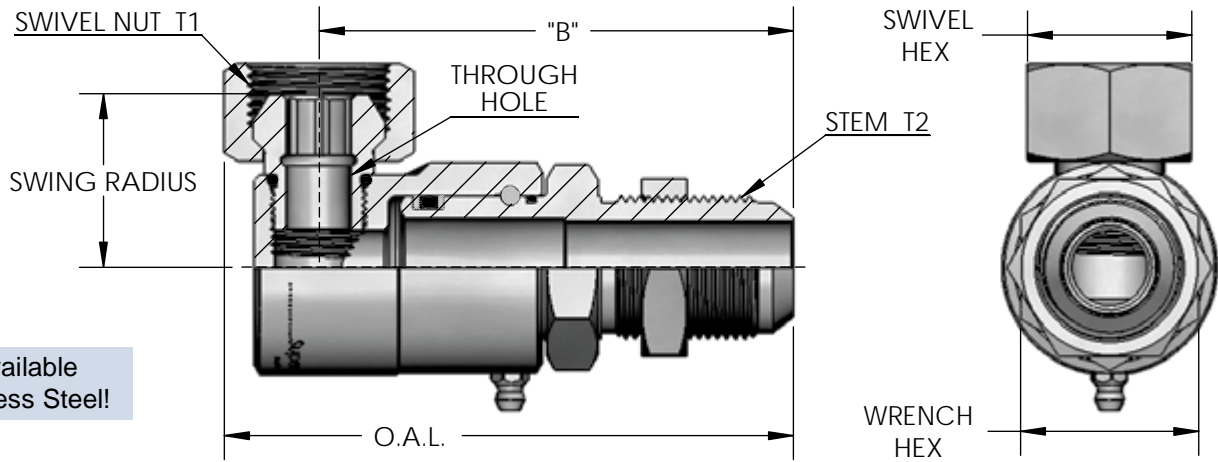
Male J.I.C. (37°) X Pipe Swivel (N.P.S.M.)



Not Available
In Stainless Steel!

PART NUMBER	O.A.L.	DIM. B	SWIVEL HEX	WRENCH/HEX	SWIVEL NUT T1	STEM T2	SWG. RADIUS	MAX. P.S.I.G.	THROUGH HOLE
9 SS 4 MJ 4 X PS 25	2.867	2.355	0.687	0.750	1/4-18 N.P.S.M.	7/16-20 U.N.	1.326	3500	0.172
9 SS 4 MJ 6 X PS 25	2.887	2.375	0.687	0.750	1/4-18 N.P.S.M.	9/16-18 U.N.	1.326	3500	0.218
9 SS 4 MJ 6 X PS 38	2.887	2.375	0.875	0.750	3/8-18 N.P.S.M.	9/16-18 U.N.	1.555	3500	0.250
9 SS 8 MJ 8 X PS 38	3.070	2.523	0.875	1.000	3/8-18 N.P.S.M.	3/4-16 U.N.	1.437	3500	0.327
9 SS 8 MJ 8 X PS 50	3.100	2.523	1.000	1.000	1/2-14 N.P.S.M.	3/4-16 U.N.	1.521	3500	0.390
9 SS 8 MJ 10 X PS 50	3.200	2.623	1.000	1.000	1/2-14 N.P.S.M.	7/8-14 U.N.	1.521	3500	0.390
9 SS 12 MJ 12 X PS 75	3.606	2.885	1.250	1.375	3/4-14 N.P.S.M.	1 ¹ / ₁₆ -12 U.N.	1.664	3500	0.521
9 SS 16 MJ 16 X PS 100	4.348	3.482	1.500	1.625	1-11 ¹ / ₂ N.P.S.M.	1 ⁵ / ₁₆ -12 U.N.	1.956	3500	0.590
9 SS 20 MJ 20 X PS 125	4.917	3.835	1.875	1.750	1 ¹ / ₄ -11 ¹ / ₂ N.P.S.M.	1 ⁵ / ₈ -12 U.N.	2.570	3500	0.906
9 SS 24 MJ 24 X PS 150	6.275	5.045	2.125	2.125	1 ¹ / ₂ -11 ¹ / ₂ N.P.S.M.	1 ⁷ / ₈ -12 U.N.	2.630	3500	1.040

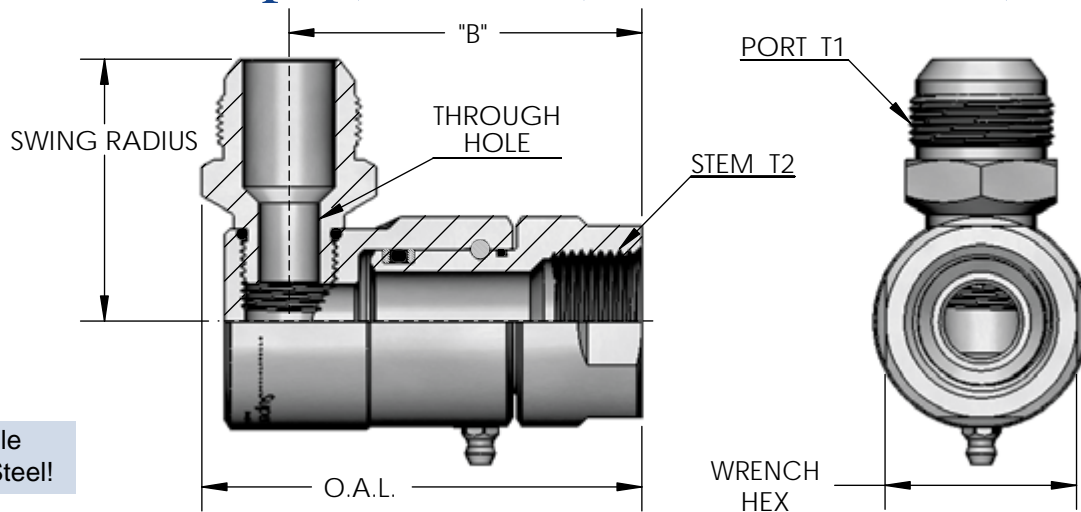
Male J.I.C. Bulkhead (37°) X Pipe Swivel (N.P.S.M.)



Not Available
In Stainless Steel!

PART NUMBER	O.A.L.	DIM. B	SWIVEL HEX	WRENCH/HEX	SWIVEL NUT T1	STEM T2	SWG. RADIUS	MAX. P.S.I.G.	THROUGH HOLE
9 SS 4 MJB 6 X PS 25	3.500	2.990	0.688	.812	1/4-18 N.P.S.M.	9/16-18 U.N.	1.350	3500	0.250
9 SS 8 MJB 8 X PS 38	3.805	3.258	0.875	1.000	3/8-18 N.P.S.M.	3/4-16 U.N.	1.437	3500	0.327
9 SS 8 MJB 8 X PS 50	3.835	3.258	1.000	1.000	1/2-14 N.P.S.M.	3/4-16 U.N.	1.521	3500	0.327
9 SS 8 MJB 10 X PS 50	4.055	3.478	1.000	1.125	1/2-14 N.P.S.M.	7/8-14 U.N.	1.521	3500	0.390
9 SS 12 MJB 12 X PS 75	4.526	3.805	1.250	1.375	3/4-14 N.P.S.M.	1 1/16-12 U.N.	1.664	3500	0.521
9 SS 16 MJB 16 X PS 100	5.182	4.317	1.500	1.625	1-11 1/2 N.P.S.M.	1 5/16-12 U.N.	1.956	3500	0.590
9 SS 20 MJB 20 X PS 125	5.812	4.730	1.875	1.875	1 1/4-11 1/2 N.P.S.M.	1 5/8-12 U.N.	2.570	3500	0.906

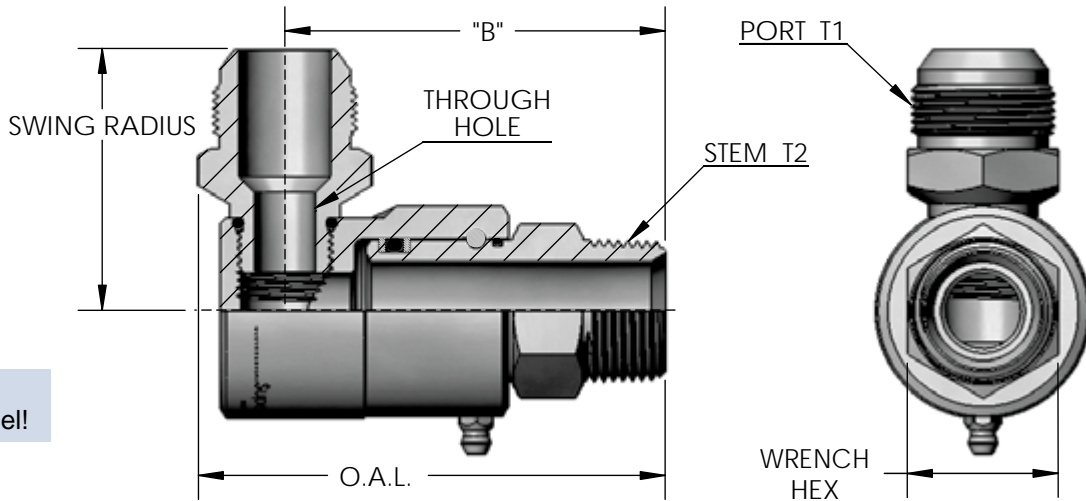
Female Pipe (N.P.T.F.) X Male J.I.C. (37°)



Not Available
In Stainless Steel!

PART NUMBER	O.A.L.	DIM. B	WRENCH/HEX	PORT T1	STEM T2	SWG. RADIUS	MAX. P.S.I.G.	THROUGH HOLE
9 SS 4 FP 25 X MJ 4	2.510	2.000	0.750	7/16-20 U.N.	1/4-18 N.P.T.F.	1.454	3500	0.170
9 SS 4 FP 25 X MJ 6	2.510	2.000	0.750	9/16-18 U.N.	1/4-18 N.P.T.F.	1.454	3500	0.250
9 SS 8 FP 38 X MJ 6	2.670	2.120	0.875	9/16-18 U.N.	3/8-18 N.P.T.F.	1.581	3500	0.290
9 SS 8 FP 38 X MJ 8	2.670	2.120	0.875	3/4-16 U.N.	3/8-18 N.P.T.F.	1.712	3500	0.297
9 SS 8 FP 50 X MJ 8	2.850	2.270	1.125	3/4-16 U.N.	1/2-14 N.P.T.F.	1.712	3500	0.297
9 SS 8 FP 50 X MJ 10	2.880	2.270	1.125	7/8-14 U.N.	1/2-14 N.P.T.F.	1.978	3500	0.297
9 SS 12 FP 75 X MJ 12	3.000	2.360	1.375	1 1/16-12 U.N.	3/4-14 N.P.T.F.	2.288	3500	0.385
9 SS 16 FP 100 X MJ 16	3.730	2.980	1.625	1 5/16-12 U.N.	1-11 1/2 N.P.T.F.	2.384	3500	0.550
9 SS 20 FP 125 X MJ 20	4.300	3.285	2.000	1 5/8-12 U.N.	1 1/4-11 1/2 N.P.T.F.	2.970	3500	0.827
9 SS 24 FP 150 X MJ 24	5.600	4.375	2.375	1 7/8-12 U.N.	1 1/2-11 1/2 N.P.T.F.	3.097	3500	0.944

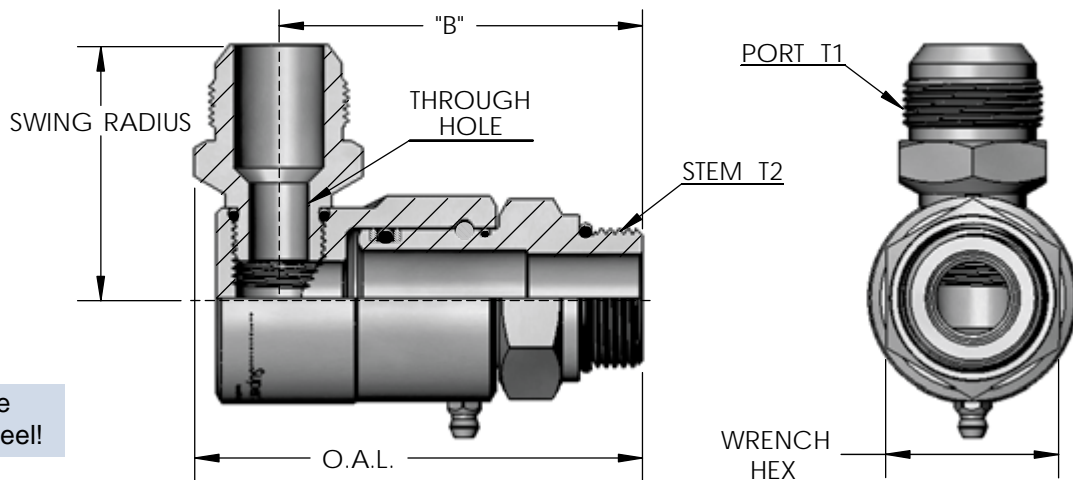
Male Pipe (N.P.T.F.) X Male J.I.C. (37°)



Not Available
In Stainless Steel!

PART NUMBER	O.A.L.	DIM. B	WRENCH/HEX	PORT T1	STEM T2	SWG. RADIUS	MAX. P.S.I.G.	THROUGH HOLE
9 SS 4 MP 25 X MJ 4	2.640	2.130	0.625	7/16-20 U.N.	1/4-18 N.P.T.F.	1.454	3500	0.170
9 SS 4 MP 25 X MJ 6	2.640	2.130	0.625	9/16-18 U.N.	1/4-18 N.P.T.F.	1.454	3500	0.250
9 SS 4 MP 38 X MJ 6	2.720	2.210	0.750	9/16-18 U.N.	3/8-18 N.P.T.F.	1.454	3500	0.250
9 SS 8 MP 38 X MJ 8	3.095	2.548	1.000	3/4-16 U.N.	3/8-18 N.P.T.F.	1.712	3500	0.297
9 SS 8 MP 50 X MJ 8	3.220	2.673	1.000	3/4-16 U.N.	1/2-14 N.P.T.F.	1.712	3500	0.297
9 SS 8 MP 50 X MJ 10	3.170	2.620	1.000	7/8-14 U.N.	1/2-14 N.P.T.F.	1.978	3500	0.297
9 SS 12 MP 75 X MJ 12	3.409	2.760	1.125	1 1/16-12 U.N.	3/4-14 N.P.T.F.	2.235	3500	0.385
9 SS 16 MP 100 X MJ 16	4.255	3.462	1.375	1 5/16-12 U.N.	1-1 1/2 N.P.T.F.	2.384	3500	0.550
9 SS 20 MP 125 X MJ 20	4.805	3.795	1.750	1 5/8-12 U.N.	1 1/4-1 1/2 N.P.T.F.	2.970	3500	0.827
9 SS 24 MP 150 X MJ 24	6.185	4.955	2.000	1 7/8-12 U. N.	1 1/2-1 1/2 N.P.T.F.	3.097	3500	0.944

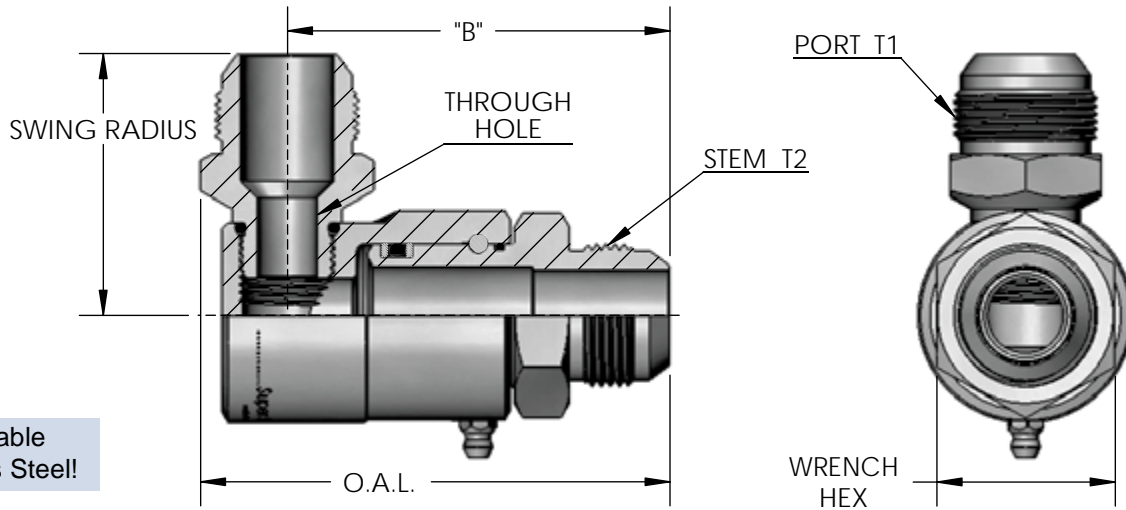
Male O-Ring (O.R.B.) X Male J.I.C. (37°)



Not Available
In Stainless Steel!

PART NUMBER	O.A.L.	DIM. B	WRENCH/HEX	PORT T1	STEM T2	SWG. RADIUS	MAX. P.S.I.G.	THROUGH HOLE
9 SS 4 MO 4 X MJ 4	2.727	2.215	0.625	7/16-20 U.N.	7/16-20 U.N.	1.454	3500	0.172
9 SS 4 MO 6 X MJ 6	2.727	2.215	0.750	9/16-18 U.N.	9/16-18 U.N.	1.454	3500	0.250
9 SS 8 MO 8 X MJ 8	2.923	2.376	1.000	3/4-16 U.N.	3/4-16 U.N.	1.712	3500	0.297
9 SS 8 MO 10 X MJ 10	3.075	2.498	1.000	7/8-14 U.N.	7/8-14 U.N.	1.978	3500	0.297
9 SS 12 MO 12 X MJ 12	3.398	2.749	1.375	1 1/16-12 U.N.	1 1/16-12 U.N.	2.288	3500	0.385
9 SS 16 MO 16 X MJ 16	4.204	3.411	1.625	1 5/16-12 U.N.	1 5/16-12 U.N.	2.384	3500	0.550
9 SS 20 MO 20 X MJ 20	4.765	3.755	1.875	1 5/8-12 U.N.	1 5/8-12 U.N.	2.970	3500	0.827
9 SS 24 MO 24 X MJ 24	6.105	4.875	2.125	1 7/8-12 U.N.	1 7/8-12 U.N.	3.097	3500	0.944

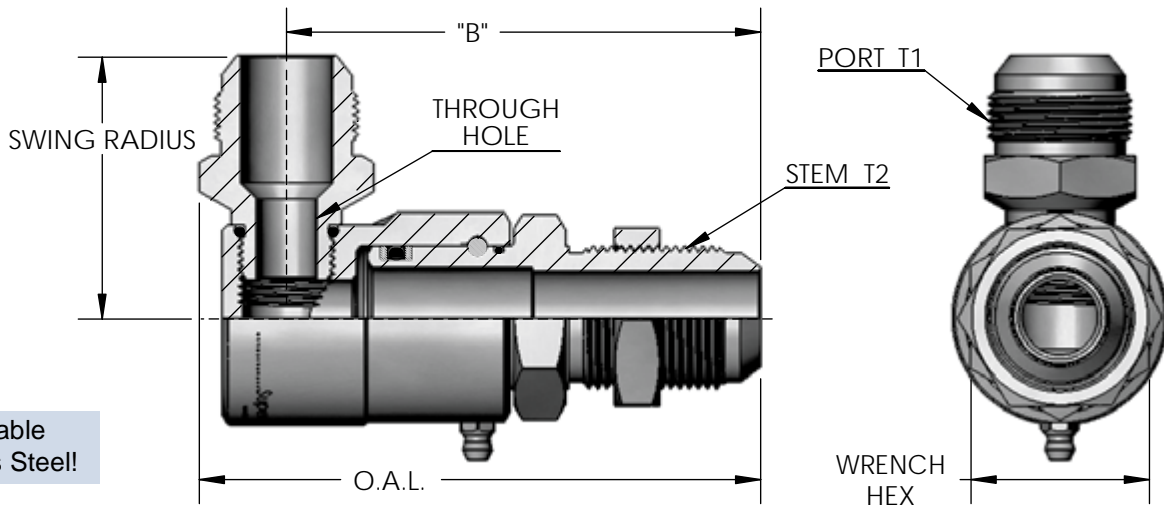
Male J.I.C. (37°) X Male J.I.C. (37°)



Not Available
In Stainless Steel!

PART NUMBER	O.A.L.	DIM. B	WRENCH/HEX	PORT T1	STEM T2	SWG. RADIUS	MAX. P.S.I.G.	THROUGH HOLE
9 SS 4 MJ 4 X MJ 4	2.837	2.325	0.750	7/16-20 U.N.	7/16-20 U.N.	1.454	3500	0.172
9 SS 4 MJ 6 X MJ 6	2.857	2.345	0.750	9/16-18 U.N.	9/16-18 U.N.	1.454	3500	0.250
9 SS 8 MJ 8 X MJ 8	3.070	2.523	1.000	3/4-16 U.N.	3/4-16 U.N.	1.712	3500	0.297
9 SS 8 MJ 10 X MJ 10	3.200	2.623	1.000	7/8-14 U.N.	7/8-14 U.N.	1.978	3500	0.297
9 SS 12 MJ 12 X MJ 12	3.534	2.885	1.375	1 1/16-12 U.N.	1 1/16-12 U.N.	2.288	3500	0.385
9 SS 16 MJ 16 X MJ 16	4.275	3.482	1.625	1 5/16-12 U.N.	1 5/16-12 U.N.	2.384	3500	0.550
9 SS 20 MJ 20 X MJ 20	4.845	3.835	1.750	1 7/8-12 U.N.	1 7/8-12 U.N.	2.970	3500	0.827
9 SS 24 MJ 24 X MJ 24	6.275	5.045	2.125	1 7/8-12 U. N.	1 7/8-12 U.N.	3.097	3500	0.944

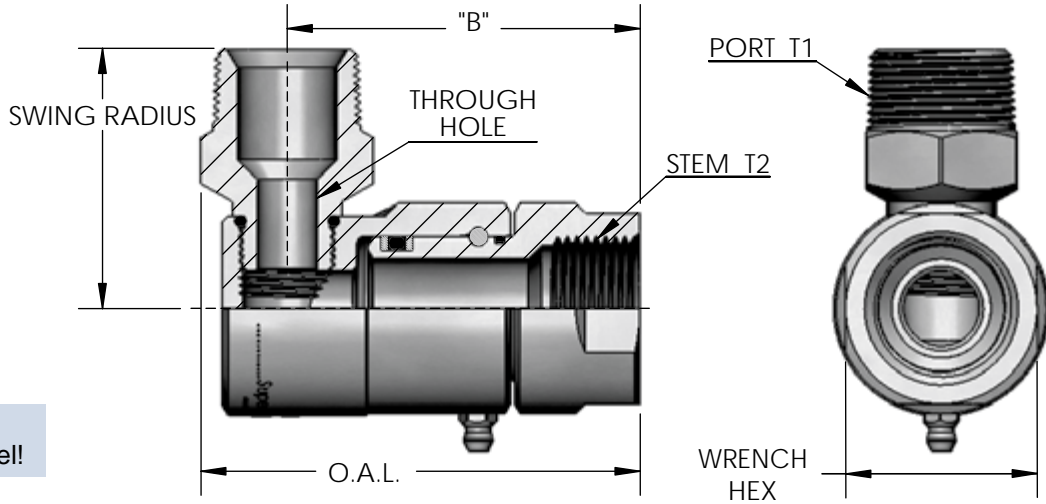
Male J.I.C. Bulkhead (37°) X Male J.I.C. (37°)



Not Available
In Stainless Steel!

PART NUMBER	O.A.L.	DIM. B	WRENCH/HEX	PORT T1	STEM T2	SWG. RADIUS	MAX. P.S.I.G.	THROUGH HOLE
9 SS 8 MJB 8 X MJ 8	3.805	3.258	1.000	3/4-16 U.N.	3/4-16 U.N.	1.712	3500	0.297
9 SS 8 MJB 10 X MJ 10	4.055	3.478	1.125	7/8-14 U.N.	7/8-14 U.N.	1.978	3500	0.297
9 SS 12 MJB 12 X MJ 12	4.454	3.805	1.375	1 1/16-12 U.N.	1 1/16-12 U.N.	2.288	3500	0.385
9 SS 16 MJB 16 X MJ 16	5.110	4.317	1.625	1 5/16-12 U.N.	1 5/16-12 U.N.	2.384	3500	0.550
9 SS 20 MJB 20 X MJ 20	5.740	4.730	1.875	1 7/8-12 U.N.	1 7/8-12 U.N.	2.970	3500	0.827

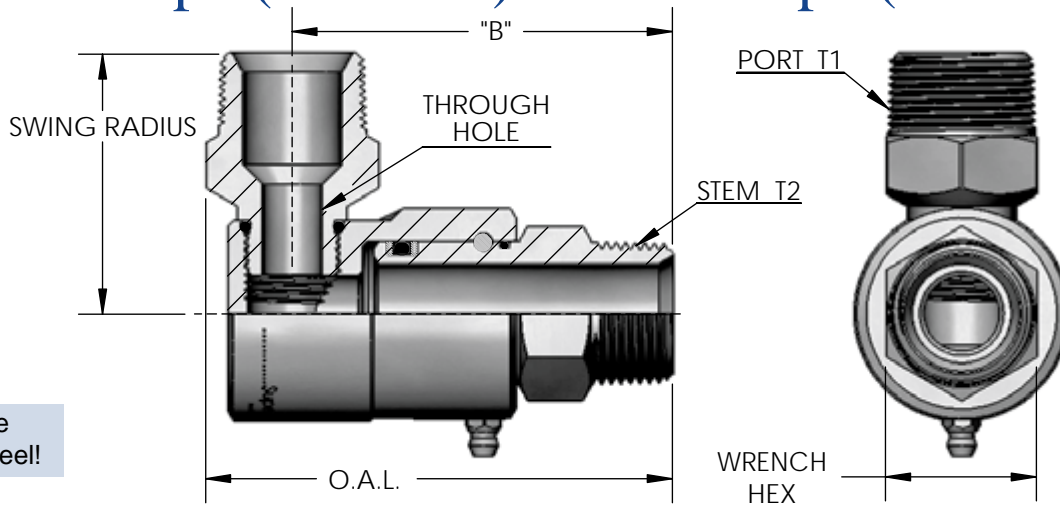
Female Pipe (N.P.T.F.) X Male Pipe (N.P.T.F.)



Not Available
In Stainless Steel!

PART NUMBER	O.A.L.	DIM. B	WRENCH/HEX	PORT T1	STEM T2	SWG. RADIUS	MAX. P.S.I.G.	THROUGH HOLE
9 SS 4 FP 25 X MP 25	2.510	2.000	0.750	1/4-18 N.P.T.F.	1/4-18 N.P.T.F.	1.440	3500	0.250
9 SS 8 FP 38 X MP 38	2.670	2.120	0.875	3/8-18 N.P.T.F.	3/8-18 N.P.T.F.	1.440	3500	0.297
9 SS 8 FP 38 X MP 50	2.670	2.120	0.875	1/2-14 N.P.T.F.	3/8-18 N.P.T.F.	1.440	3500	0.297
9 SS 8 FP 50 X MP 38	2.850	2.270	1.125	3/8-18 N.P.T.F.	1/2-14 N.P.T.F.	1.556	3500	0.297
9 SS 8 FP 50 X MP 50	2.850	2.270	1.125	1/2-14 N.P.T.F.	1/2-14 N.P.T.F.	1.848	3500	0.297
9 SS 12 FP 75 X MP 75	3.000	2.360	1.375	3/4-14 N.P.T.F.	3/4-14 N.P.T.F.	1.998	3500	0.484
9 SS 16 FP 100 X MP 100	3.780	3.020	1.625	1-11 ¹ / ₂ N.P.T.F.	1-11 ¹ / ₂ N.P.T.F.	2.370	3500	0.550
9 SS 20 FP 125 X MP 125	4.300	3.285	2.000	1 ¹ / ₄ -11 ¹ / ₂ N.P.T.F.	1 ¹ / ₄ -11 ¹ / ₂ N.P.T.F.	2.987	3500	0.827
9 SS 24 FP 150 X MP 150	5.600	4.375	3.050	1 ¹ / ₂ -11 ¹ / ₂ N.P.T.F.	1 ¹ / ₂ -11 ¹ / ₂ N.P.T.F.	3.050	3500	0.944

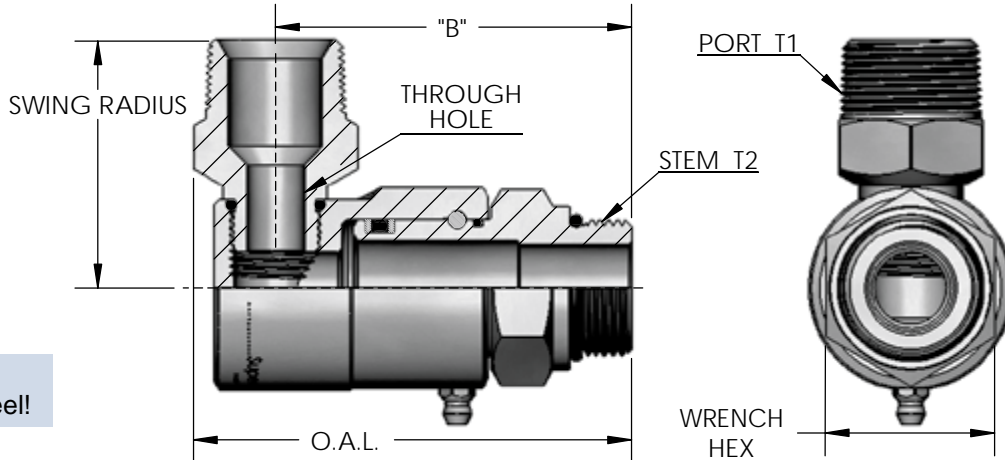
Male Pipe (N.P.T.F.) X Male Pipe (N.P.T.F.)



Not Available
In Stainless Steel!

PART NUMBER	O.A.L.	DIM. B	WRENCH/HEX	PORT T1	STEM T2	SWG. RADIUS	MAX. P.S.I.G.	THROUGH HOLE
9 SS 4 MP 25 X MP 25	2.640	2.130	0.625	1/4-18 N.P.T.F.	1/4-18 N.P.T.F.	1.440	3500	0.250
9 SS 4 MP 25 X MP 38	2.640	2.130	0.625	3/8-18 N.P.T.F.	1/4-18 N.P.T.F.	1.440	3500	0.297
9 SS 4 MP 38 X MP 38	2.720	2.200	0.750	3/8-18 N.P.T.F.	3/8-18 N.P.T.F.	1.440	3500	0.297
9 SS 8 MP 38 X MP 38	3.095	2.548	1.000	3/8-18 N.P.T.F.	3/8-18 N.P.T.F.	1.556	3500	0.297
9 SS 8 MP 38 X MP 50	3.095	2.548	1.000	1/2-14 N.P.T.F.	3/8-18 N.P.T.F.	1.848	3500	0.297
9 SS 8 MP 50 X MP 38	3.190	2.620	1.000	3/8-18 N.P.T.F.	1/2-14 N.P.T.F.	1.556	3500	0.297
9 SS 8 MP 50 X MP 50	3.190	2.620	1.000	1/2-14 N.P.T.F.	1/2-14 N.P.T.F.	1.848	3500	0.297
9 SS 12 MP 75 X MP 75	3.400	2.760	1.125	3/4-14 N.P.T.F.	3/4-14 N.P.T.F.	1.998	3500	0.484
9 SS 16 MP 100 X MP 100	4.225	3.462	1.375	1-11 ¹ / ₂ N.P.T.F.	1-11 ¹ / ₂ N.P.T.F.	2.370	3500	0.550
9 SS 20 MP 125 X MP 125	4.810	3.795	1.750	1 ¹ / ₄ -11 ¹ / ₂ N.P.T.F.	1 ¹ / ₄ -11 ¹ / ₂ N.P.T.F.	2.987	3500	0.827
9 SS 24 MP 150 X MP 150	6.185	4.955	2.000	1 ¹ / ₂ -11 ¹ / ₂ N.P.T.F.	1 ¹ / ₂ -11 ¹ / ₂ N.P.T.F.	3.050	3500	0.944

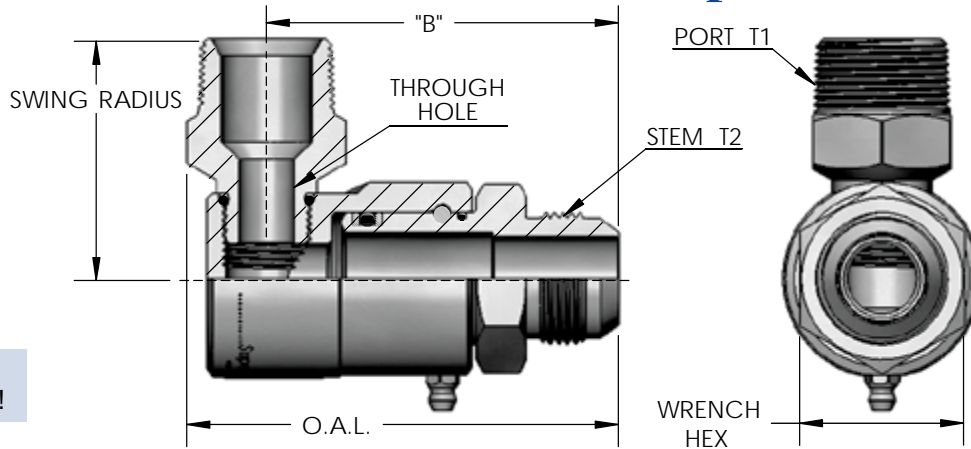
Male O-Ring (O.R.B.) X Male Pipe (N.P.T.F.)



Not Available
In Stainless Steel!

PART NUMBER	O.A.L.	DIM. B	WRENCH/HEX	PORT T1	STEM T2	SWG. RADIUS	MAX. P.S.I.G.	THROUGH HOLE
9 SS 4 MO 4 X MP 25	2.727	2.215	0.625	1/4-18 N.P.T.F.	7/16-20 U.N.	1.440	3500	0.172
9 SS 4 MO 6 X MP 25	2.727	2.215	0.750	1/4-18 N.P.T.F.	9/16-18 U.N.	1.440	3500	0.250
9 SS 4 MO 6 X MP 38	2.727	2.215	0.750	3/8-18 N.P.T.F.	9/16-18 U.N.	1.440	3500	0.297
9 SS 8 MO 8 X MP 38	2.923	2.376	1.000	3/8-18 N.P.T.F.	3/4-16 U.N.	1.556	3500	0.297
9 SS 8 MO 8 X MP 50	2.923	2.376	1.000	1/2-14 N.P.T.F.	3/4-16 U.N.	1.848	3500	0.297
9 SS 8 MO 10 X MP 38	3.045	2.498	1.000	3/8-18 N.P.T.F.	7/8-14 U.N.	1.556	3500	0.297
9 SS 8 MO 10 X MP 50	3.045	2.498	1.000	1/2-14 N.P.T.F.	7/8-14 U.N.	1.848	3500	0.297
9 SS 12 MO 12 X MP 75	3.389	2.749	1.375	3/4-14 N.P.T.F.	1 1/16-12 U.N.	1.998	3500	0.484
9 SS 16 MO 16 X MP 100	4.210	3.411	1.625	1-11 1/2 N.P.T.F.	1 5/16-12 U.N.	2.370	3500	0.550
9 SS 20 MO 20 X MP 125	4.770	3.755	1.875	1 1/4-11 1/2 N.P.T.F.	1 5/8-12 U.N.	2.987	3500	0.827
9 SS 24 MO 24 X MP 150	6.105	4.875	2.125	1 1/2-11 1/2 N.P.T.F.	1 7/8-12 U.N.	3.050	3500	0.944

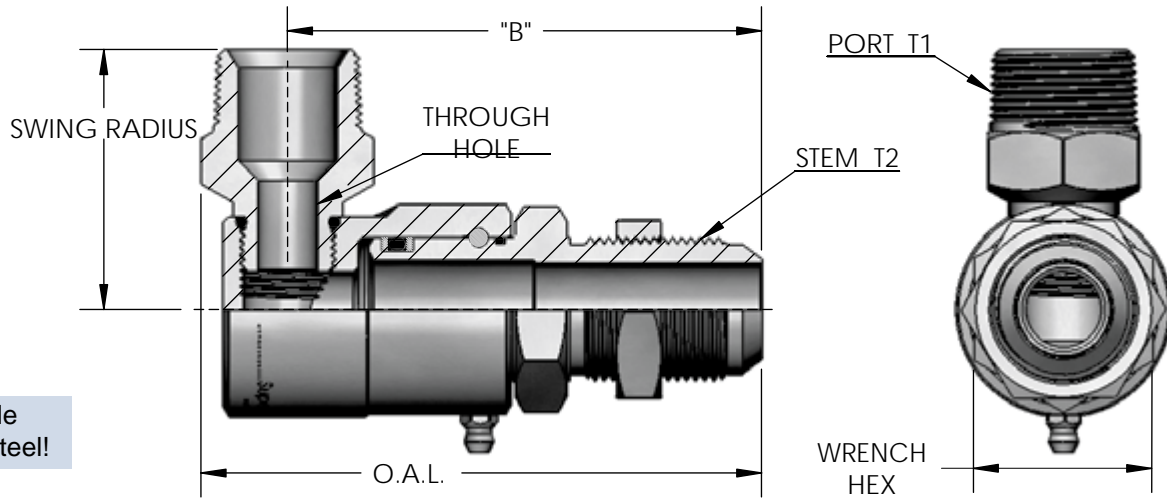
Male J.I.C. (37°) X Male Pipe (N.P.T.F.)



Not Available
In Stainless Steel!

PART NUMBER	O.A.L.	DIM. B	WRENCH/HEX	PORT T1	STEM T2	SWG. RADIUS	MAX. P.S.I.G.	THROUGH HOLE
9 SS 4 MJ 4 X MP 25	2.837	2.325	0.750	1/4-18 N.P.T.F.	7/16-20 U.N.	1.440	3500	0.172
9 SS 4 MJ 6 X MP 25	2.857	2.345	0.750	1/4-18 N.P.T.F.	9/16-18 U.N.	1.440	3500	0.250
9 SS 4 MJ 6 X MP 38	2.857	2.345	0.750	3/8-18 N.P.T.F.	9/16-18 U.N.	1.440	3500	0.250
9 SS 8 MJ 8 X MP 38	3.060	2.513	1.000	3/8-18 N.P.T.F.	3/4-16 U.N.	1.556	3500	0.297
9 SS 8 MJ 8 X MP 50	3.060	2.513	1.000	1/2-14 N.P.T.F.	3/4-16 U.N.	1.848	3500	0.297
9 SS 8 MJ 10 X MP 38	3.160	2.613	1.000	3/8-18 N.P.T.F.	7/8-14 U.N.	1.556	3500	0.250
9 SS 8 MJ 10 X MP 50	3.160	2.613	1.000	1/2-14 N.P.T.F.	7/8-14 U.N.	1.848	3500	0.297
9 SS 12 MJ 12 X MP 75	3.525	2.885	1.375	3/4-14 N.P.T.F.	1 1/16-12 U.N.	1.998	3500	0.484
9 SS 16 MJ 16 X MP 100	4.290	3.482	1.625	1-11 1/2 N.P.T.F.	1 5/16-12 U.N.	2.370	3500	0.550
9 SS 20 MJ 20 X MP 125	4.850	3.835	1.750	1 1/4-11 1/2 N.P.T.F.	1 5/8-12 U.N.	2.987	3500	0.827
9 SS 24 MJ 24 X MP 150	6.275	5.045	2.125	1 1/2-11 1/2 N.P.T.F.	1 7/8-12 U.N.	3.050	3500	0.944

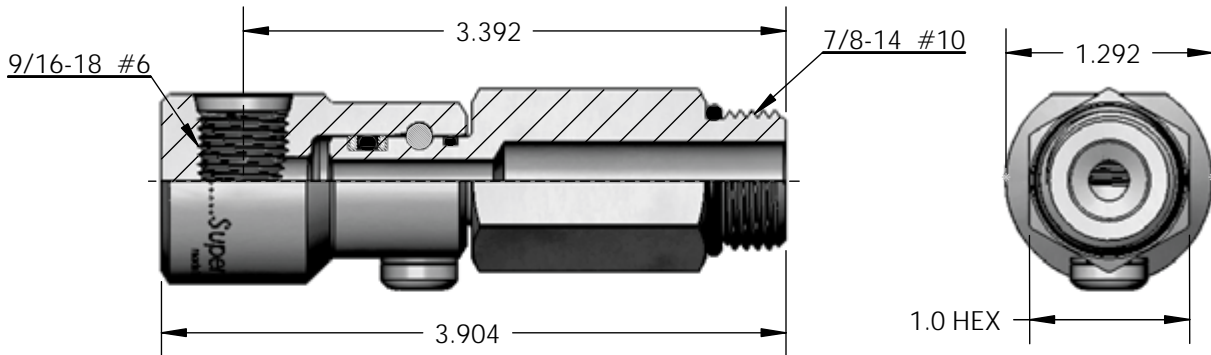
Male J.I.C. Bulkhead (37°) X Male Pipe (N.P.T.F.)



Not Available
In Stainless Steel!

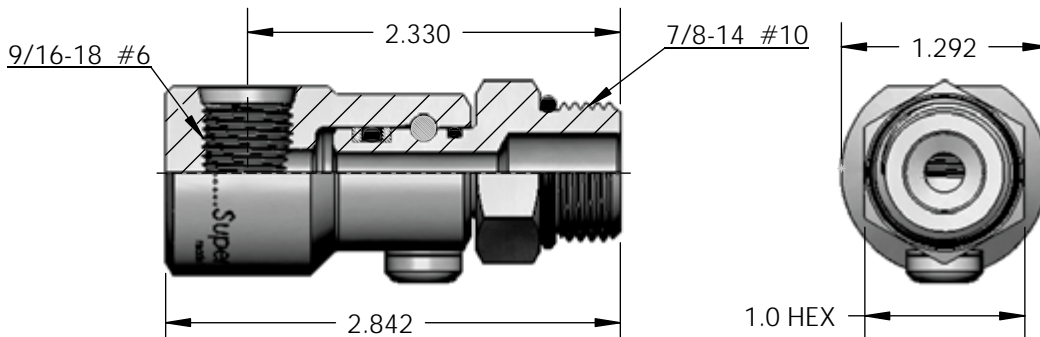
PART NUMBER	O.A.L.	DIM. B	WRENCH/HEX	PORT T1	STEM T2	SWG. RADIUS	MAX. P.S.I.G.	THROUGH HOLE
9 SS 8 MJB 8 X MP 38	3.805	3.258	1.000	3/8-18 N.P.T.F.	3/4-16 U.N.	1.556	3500	0.297
9 SS 8 MJB 8 X MP 50	3.805	3.258	1.000	1/2-14 N.P.T.F.	3/4-16 U.N.	1.848	3500	0.297
9 SS 8 MJB 10 X MP 50	4.025	3.478	1.125	1/2-14 N.P.T.F.	7/8-14 U.N.	1.848	3500	0.297
9 SS 12 MJB 12 X MP 75	4.445	3.805	1.375	3/4-14 N.P.T.F.	1 1/16-12 U.N.	1.998	3500	0.484
9 SS 16 MJB 16 X MP 100	4.905	4.317	1.625	1-11 1/4 N.P.T.F.	1 5/16-12 U.N.	2.370	3500	0.550
9 SS 20 MJB 20 X MP 125	5.575	4.730	1.875	1 1/4-11 1/2 N.P.T.F.	1 5/8-12 U.N.	2.987	3500	0.827

Wheel Motor Swivels



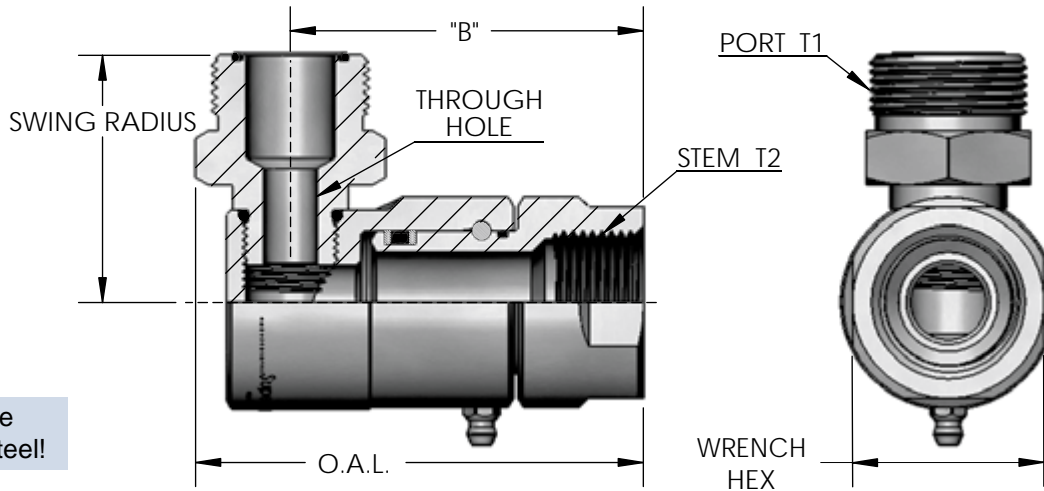
Not Available
In Stainless Steel!

9 SS 4 MO 10 X FO 6 - 001 - Z - V



9 SS 4 MO 10 X FO 6 - Z - V

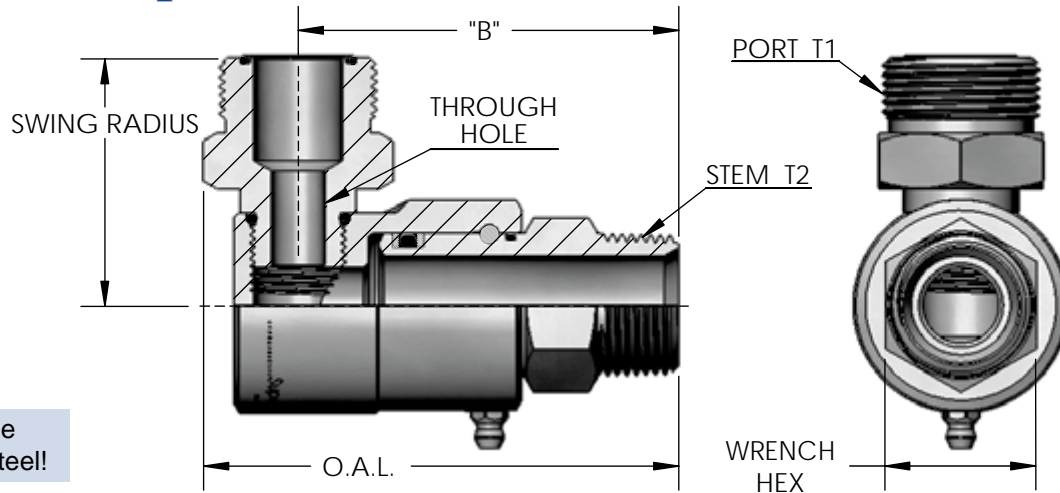
Female Pipe (N.P.T.F.) X Male Face Seal (M.F.S.)



Not Available
In Stainless Steel!

PART NUMBER	O.A.L.	DIM. B	WRENCH/HEX	PORT T1	STEM T2	SWG. RADIUS	MAX. P.S.I.G.	THROUGH HOLE
9 SS 4 FP 25 X MFS 6	2.510	2.000	0.750	11/16-16 U.N.	1/4-18 N.P.T.F.	1.314	5000	0.265
9 SS 8 FP 38 X MFS 6	2.670	2.120	0.875	11/16-16 U.N.	3/8-18 N.P.T.F.	1.432	5000	0.265
9 SS 8 FP 38 X MFS 8	2.670	2.120	0.875	13/16-16 U.N.	3/8-18 N.P.T.F.	1.669	5000	0.265
9 SS 8 FP 50 X MFS 8	2.850	2.270	1.125	13/16-16 U.N.	1/2-14 N.P.T.F.	1.669	5000	0.265
9 SS 8 FP 50 X MFS 10	2.850	2.270	1.125	1-14 U.N.	1/2-14 N.P.T.F.	1.826	5000	0.265
9 SS 12 FP 75 X MFS 12	3.000	2.360	1.375	1 ³ / ₁₆ -12 U.N.	3/4-14 N.P.T.F.	2.089	4500	0.389
9 SS 16 FP 100 X MFS 16	3.860	2.980	1.625	1 ⁷ / ₁₆ -12 U.N.	1-11 ¹ / ₂ N.P.T.F.	2.255	4000	0.484
9 SS 20 FP 125 X MFS 20	4.300	3.285	2.000	1 ¹¹ / ₁₆ -12 U.N.	1 ¹ / ₄ -11 ¹ / ₂ N.P.T.F.	2.658	4000	0.718
9 SS 24 FP 150 X MFS 24	5.600	4.375	2.370	2-12 U.N.	1 ¹ / ₂ -11 ¹ / ₂ N.P.T.F.	2.904	4000	0.844

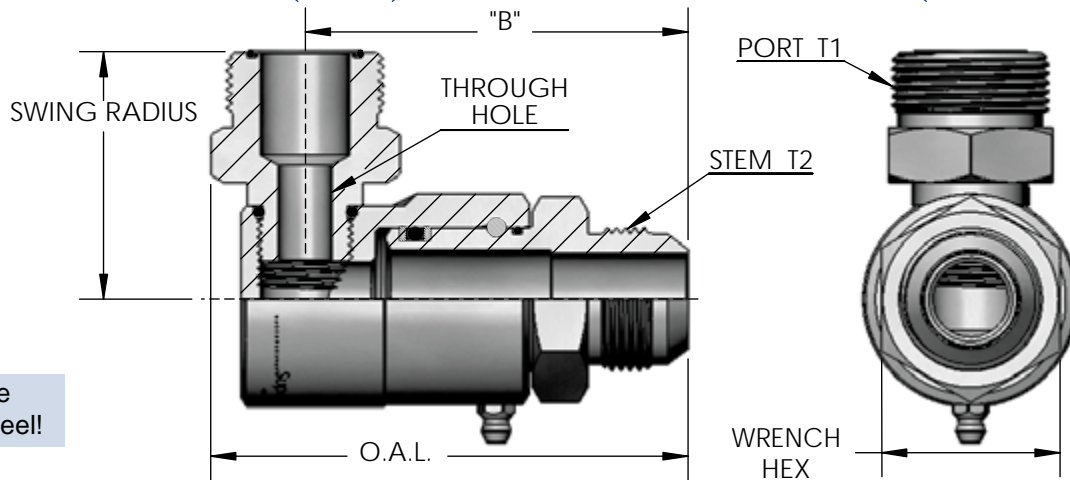
Male Pipe (N.P.T.F.) X Male Face Seal (M.F.S.)



Not Available
In Stainless Steel!

PART NUMBER	O.A.L.	DIM. B	WRENCH/HEX	PORT T1	STEM T2	SWG. RADIUS	MAX. P.S.I.G.	THROUGH HOLE
9 SS 4 MP 25 X MFS 6	2.640	2.130	0.625	11/16-16 U.N.	1/4-18 N.P.T.F.	1.314	5000	0.265
9 SS 4 MP 38 X MFS 6	2.720	2.210	0.750	11/16-16 U.N.	3/8-18 N.P.T.F.	1.314	5000	0.265
9 SS 8 MP 38 X MFS 6	3.095	2.548	1.000	11/16-16 U.N.	3/8-18 N.P.T.F.	1.432	5000	0.265
9 SS 8 MP 38 X MFS 8	3.095	2.548	1.000	13/16-16 U.N.	3/8-18 N.P.T.F.	1.669	5000	0.265
9 SS 8 MP 50 X MFS 8	3.170	2.620	1.000	13/16-16 U.N.	1/2-14 N.P.T.F.	1.669	5000	0.265
9 SS 8 MP 50 X MFS 10	3.170	2.620	1.000	1-14 U.N.	1/2-14 N.P.T.F.	1.826	5000	0.265
9 SS 12 MP 75 X MFS 12	3.400	2.760	1.125	1 ³ / ₁₆ -12 U.N.	3/4-14 N.P.T.F.	2.089	4500	0.389
9 SS 16 MP 100 X MFS 16	3.170	3.462	1.375	1 ⁷ / ₁₆ -12 U.N.	1-11 ¹ / ₂ N.P.T.F.	2.255	4000	0.484
9 SS 20 MP 125 X MFS 20	4.800	3.795	1.750	1 ¹¹ / ₁₆ -12 U.N.	1 ¹ / ₄ -11 ¹ / ₂ N.P.T.F.	2.658	4000	0.718
9 SS 24 MP 150 X MFS 24	6.185	4.955	1.995	2-12 U.N.	1 ¹ / ₂ -11 ¹ / ₂ N.P.T.F.	2.904	4000	0.844

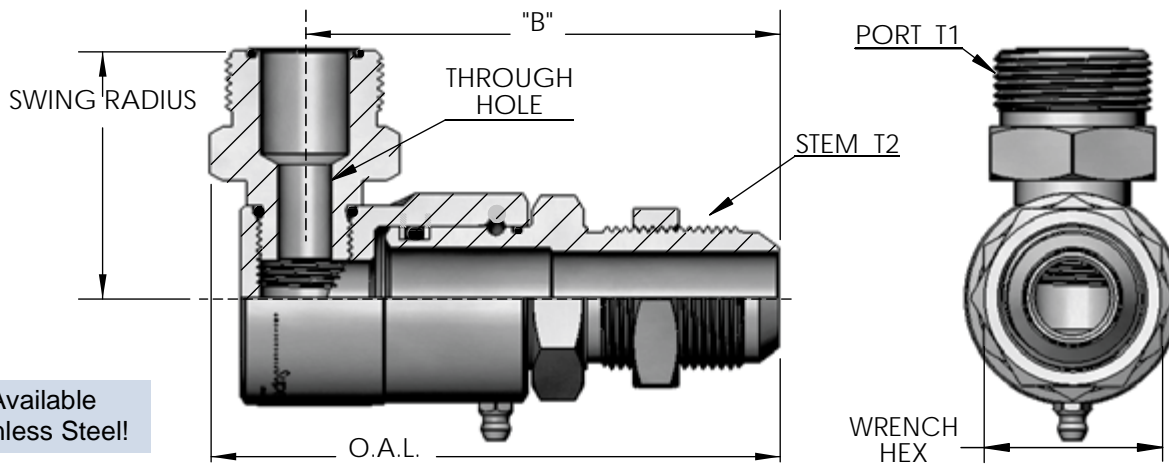
Male J.I.C. (37°) X Male Face Seal (M.F.S.)



Not Available
In Stainless Steel!

PART NUMBER	O.A.L.	DIM. B	WRENCH/HEX	PORT T1	STEM T2	SWG. RADIUS	MAX. P.S.I.G.	THROUGH HOLE
9 SS 4 MJ 4 X MFS 4	2.837	2.325	0.750	9/16-18 U.N.	7/16-20 U.N.	1.266	5000	0.172
9 SS 4 MJ 6 X MFS 6	2.857	2.345	0.750	11/16-16 U.N.	9/16-18 U.N.	1.314	5000	0.265
9 SS 8 MJ 8 X MFS 6	3.070	2.523	1.000	11/16-16 U.N.	3/4-16 U.N.	1.432	5000	0.265
9 SS 8 MJ 8 X MFS 8	3.070	2.523	1.000	13/16-16 U.N.	3/4-16 U.N.	1.669	5000	0.265
9 SS 8 MJ 8 X MFS 10	3.070	2.523	1.000	1-14 U.N.	3/4-16 U.N.	1.826	5000	0.265
9 SS 8 MJ 10 X MFS 8	3.160	2.613	1.000	13/16-16 U.N.	7/8-14 U.N.	1.669	5000	0.265
9 SS 8 MJ 10 X MFS 10	3.160	2.613	1.000	1-14 U.N.	7/8-14 U.N.	1.826	5000	0.265
9 SS 12 MJ 12 X MFS 12	3.525	2.885	1.375	1 ³ / ₁₆ -12 U.N.	11/16-12 U.N.	2.089	4500	0.389
9 SS 16 MJ 16 X MFS 16	4.350	3.482	1.625	1 ⁷ / ₁₆ -12 U.N.	1 ⁵ / ₁₆ -12 U.N.	2.255	4000	0.484
9 SS 20 MJ 20 X MFS 20	4.850	3.835	1.750	1 ¹¹ / ₁₆ -12 U.N.	1 ⁵ / ₈ -12 U.N.	2.658	4000	0.718
9 SS 24 MJ 24 X MFS 24	6.275	5.045	2.125	2-12 U.N.	1 ⁷ / ₈ -12 U.N.	2.904	4000	0.844

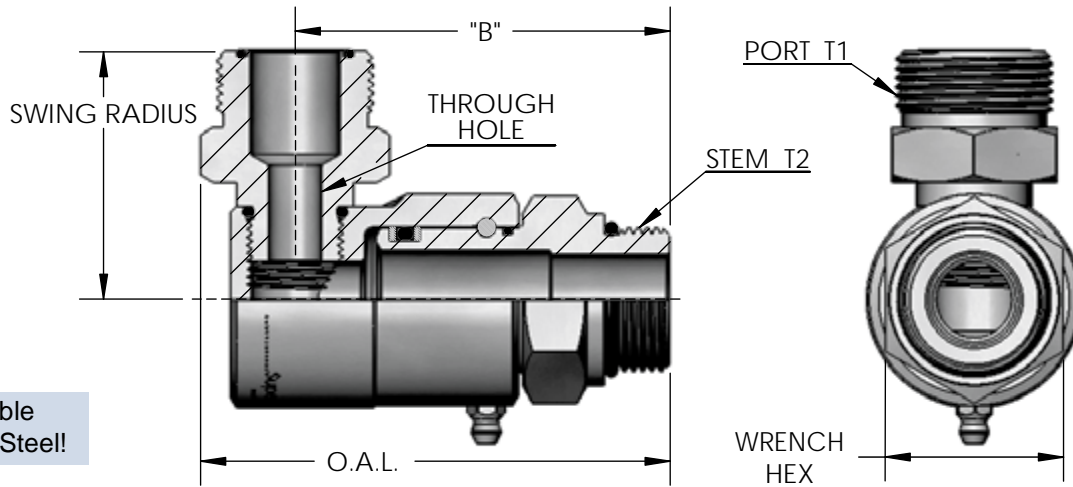
Male J.I.C. Bulkhead (37°) X Male Face Seal (M.F.S.)



Not Available
In Stainless Steel!

PART NUMBER	O.A.L.	DIM. B	WRENCH/HEX	PORT T1	STEM T2	SWG. RADIUS	MAX. P.S.I.G.	THROUGH HOLE
9 SS 4 MJB 6 X MFS 6	3.500	2.990	.812	11/16-16 U.N.	9/16-18 U.N.	1.440	5000	0.250
9 SS 8 MJB 8 X MFS 6	3.805	3.258	1.000	11/16-16 U.N.	3/4-16 U.N.	1.432	5000	0.265
9 SS 8 MJB 8 X MFS 8	3.805	3.258	1.000	13/16-16 U.N.	3/4-16 U.N.	1.669	5000	0.265
9 SS 8 MJB 8 X MFS 10	3.805	3.258	1.000	1-14 U.N.	3/4-16 U.N.	1.826	5000	0.265
9 SS 8 MJB 10 X MFS 6	4.025	3.478	1.125	11/16-16 U.N.	7/8-14 U.N.	1.432	5000	0.265
9 SS 8 MJB 10 X MFS 8	4.025	3.478	1.125	13/16-16 U.N.	7/8-14 U.N.	1.669	5000	0.265
9 SS 8 MJB 10 X MFS 10	4.025	3.478	1.125	1-14 U.N.	7/8-14 U.N.	1.826	5000	0.265
9 SS 12 MJB 12 X MFS 12	4.445	3.805	1.375	1 ³ / ₁₆ -12 U.N.	11/16-12 U.N.	2.089	4500	0.389
9 SS 16 MJB 16 X MFS 16	5.200	4.317	1.625	1 ⁷ / ₁₆ -12 U.N.	1 ⁵ / ₁₆ -12 U.N.	2.255	4000	0.484
9 SS 20 MJB 20 X MFS 20	5.750	4.730	1.875	1 ¹¹ / ₁₆ -12 U.N.	1 ⁵ / ₈ -12 U.N.	2.658	4000	0.718

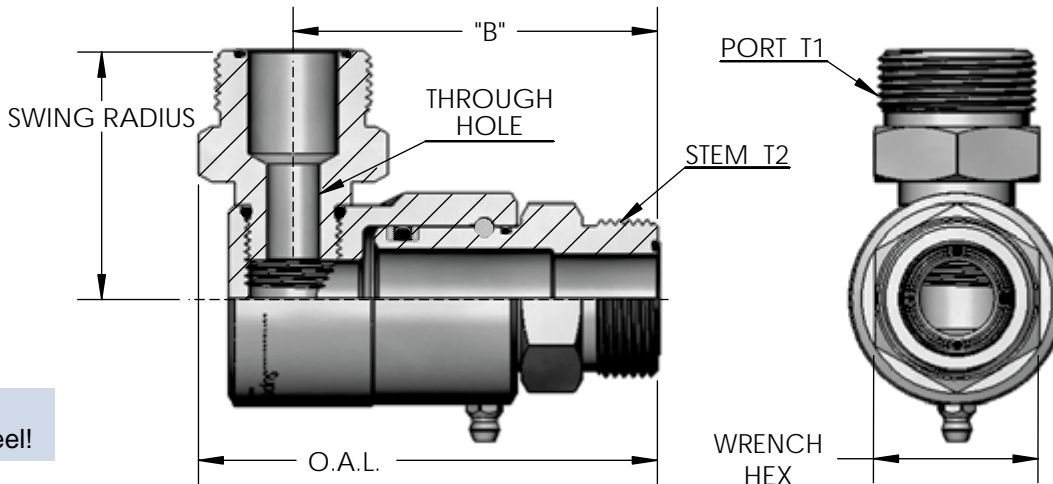
Male O-Ring (O.R.B.) X Male Face Seal (M.F.S.)



Not Available
In Stainless Steel!

PART NUMBER	O.A.L.	DIM. B	WRENCH/HEX	PORT T1	STEM T2	SWG. RADIUS	MAX. P.S.I.G.	THROUGH HOLE
9 SS 4 MO 4 X MFS 4	2.727	2.215	0.625	9/16-18 U.N.	7/16-20 U.N.	1.266	5000	0.172
9 SS 4 MO 6 X MFS 6	2.727	2.215	0.750	11/16-16 U.N.	9/16-18 U.N.	1.314	5000	0.265
9 SS 8 MO 8 X MFS 6	2.923	2.376	1.000	11/16-16 U.N.	3/4-16 U.N.	1.432	5000	0.265
9 SS 8 MO 8 X MFS 8	2.923	2.376	1.000	13/16-16 U.N.	3/4-16 U.N.	1.669	5000	0.265
9 SS 8 MO 8 X MFS 10	2.923	2.376	1.000	1-14 U.N.	3/4-16 U.N.	1.826	5000	0.265
9 SS 8 MO 10 X MFS 8	3.045	2.498	1.000	13/16-16 U.N.	7/8-14 U.N.	1.669	5000	0.265
9 SS 8 MO 10 X MFS 10	3.045	2.498	1.000	1-14 U.N.	7/8-14 U.N.	1.826	5000	0.265
9 SS 12 MO 12 X MFS 12	3.389	2.749	1.375	1 3/16-12 U.N.	11/16-12 U.N.	2.089	4500	0.389
9 SS 16 MO 16 X MFS 16	4.270	3.411	1.625	17/16-12 U.N.	15/16-12 U.N.	2.255	4000	0.484
9 SS 20 MO 20 X MFS 20	4.780	3.755	1.875	111/16-12 U.N.	15/8-12 U.N.	2.658	4000	0.718
9 SS 24 MO 24 X MFS 24	6.105	4.875	2.125	2-12 U.N.	17/8-12 U.N.	2.904	4000	0.844

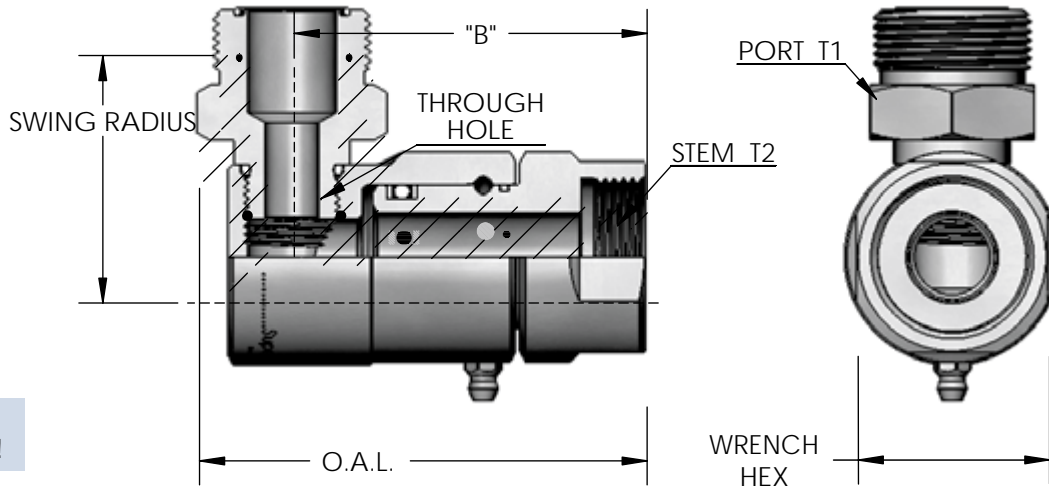
Male Face Seal (M.F.S.) X Male Face Seal (M.F.S.)



Not Available
In Stainless Steel!

PART NUMBER	O.A.L.	DIM. B	PORT T1	STEM T2	WRENCH/HEX	SWING RADIUS	MAX P.S.I.G.	THROUGH HOLE
9 SS 4 MFS 6 X MFS 6	2.688	2.176	11/16-16 U.N.	11/16-16 U.N.	0.750	1.450	5000	0.250
9 SS 8 MFS 8 X MFS 8	2.909	2.362	13/16-16 U.N.	13/16-16 U.N.	1.000	1.706	5000	0.264
9 SS 8 MFS 10 X MFS 10	3.105	2.558	1-14 U.N.	1-14 U.N.	1.125	1.826	5000	0.297
9 SS 12 MFS 12 X MFS 12	3.385	2.745	13/16-12 U.N.	13/16-12 U.N.	1.250	2.135	4500	0.378
9 SS 16 MFS 16 X MFS 16	4.190	3.316	17/16-12 U.N.	17/16-12 U.N.	1.500	2.255	4000	0.484
9 SS 20 MFS 20 X MFS 20	4.670	3.649	111/16-16 U.N.	111/16-12 U.N.	1.750	2.658	4000	0.718
9 SS 24 MFS 24 X MFS 24	5.939	4.709	2-12 U.N.	2-12 U.N.	2.125	2.845	4000	0.811

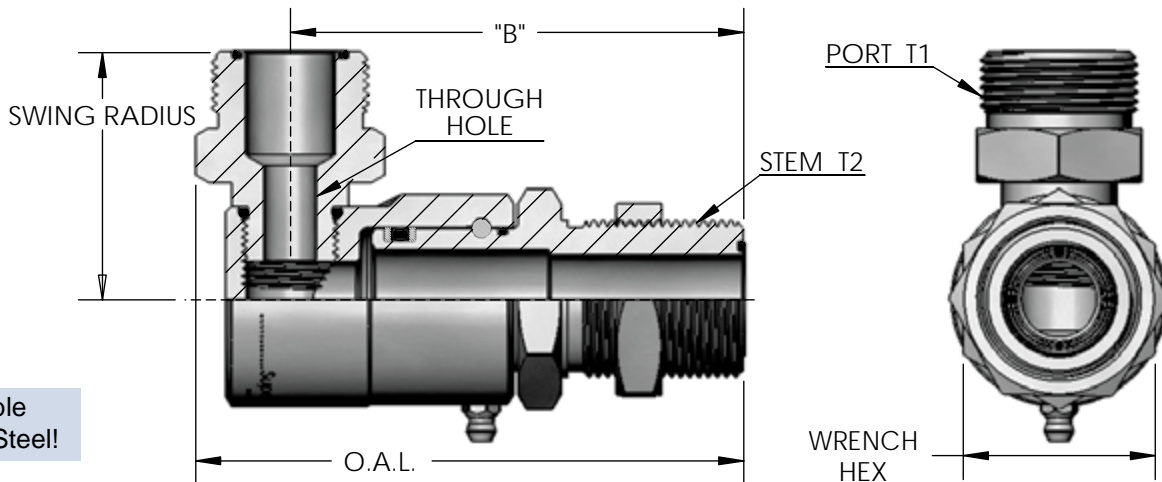
Female Face Seal (F.F.S.) X Male Face Seal (M.F.S.)



Not Available
In Stainless Steel!

PART NUMBER	O.A.L.	DIM. B	DIM. C	PORT T1	STEM T2	WRENCH/HEX	SWING RADIUS	MAX P.S.I.G.	THROUGH HOLE
9 SS 4 FFS 6 X MFS 6	2.465	1.950	0.375	11/16-16 U.N.	11/16-16 U.N.	0.875	1.450	5000	0.250
9 SS 8 FFS 8 X MFS 8	2.670	2.120	0.433	13/16-16 U.N.	13/16-16 U.N.	1.250	1.706	5000	0.264
9 SS 8 FFS 10 X MFS 10	2.720	2.170	0.504	1-14 U.N.	1-14 U.N.	1.250	1.826	5000	0.297
9 SS 12 FFS 12 X MFS 12	2.950	2.310	0.571	1 ³ / ₁₆ -12 U.N.	1 ³ / ₁₆ -12 U.N.	1.500	2.135	4500	0.378
9 SS 16 FFS 16 X MFS 16	3.750	2.890	0.583	1 ⁷ / ₁₆ -12 U.N.	1 ⁷ / ₁₆ -12 U.N.	1.750	2.255	4000	0.484
9 SS 20 FFS 20 X MFS 20	4.190	3.180	0.583	1 ¹¹ / ₁₆ -16 U.N.	1 ¹¹ / ₁₆ -12 U.N.	2.125	2.658	4000	0.718
9 SS 24 FFS 24 X MFS 24	5.400	4.180	0.583	2-12 U.N.	2-12 U.N.	2.375	2.845	4000	0.811

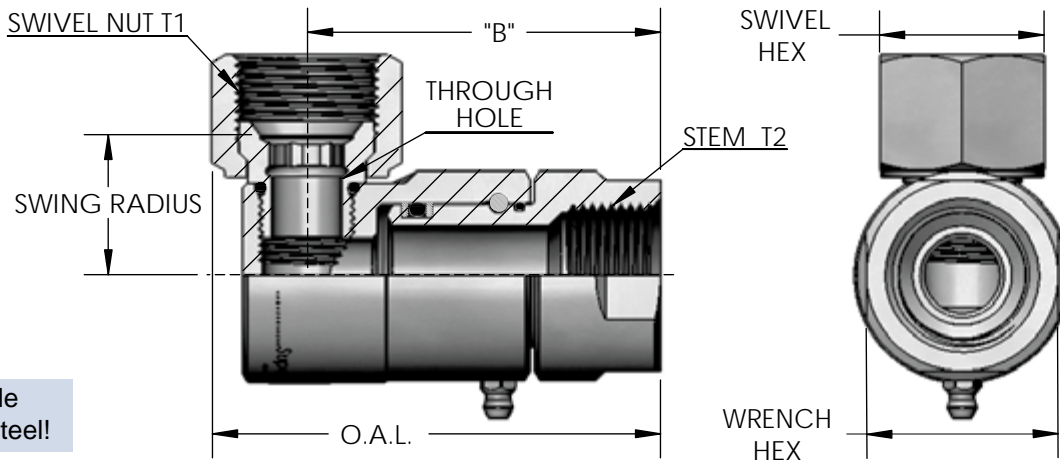
Male Face Seal Bulkhead (M.F.S.B.) X Male Face Seal (M.F.S.)



Not Available
In Stainless Steel!

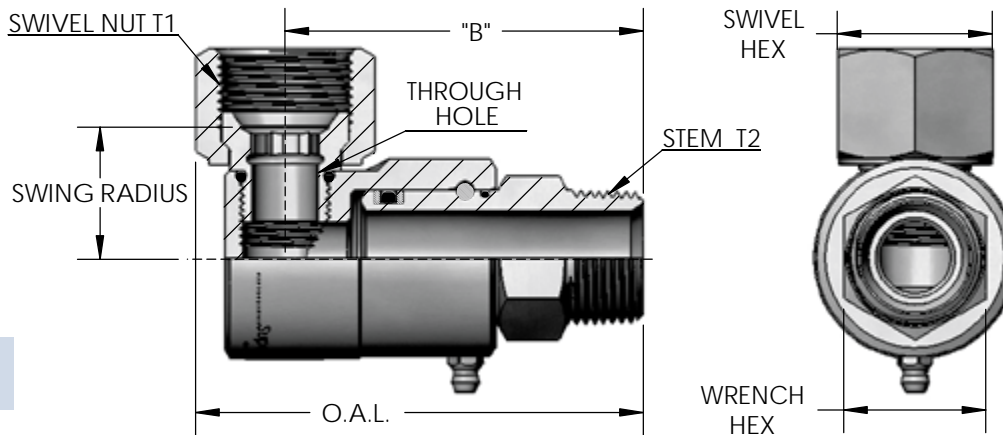
PART NUMBER	O.A.L.	DIM. B	PORT T1	STEM T2	WRENCH/HEX	SWING RADIUS	MAX P.S.I.G.	THROUGH HOLE
9 SS 4 MFSB 6 X MFS 6	3.587	3.075	11/16-16 U.N.	11/16-16 U.N.	1.000	1.450	5000	0.250
9 SS 8 MFSB 8 X MFS 8	3.805	3.258	13/16-16 U.N.	13/16-16 U.N.	1.125	1.706	5000	0.264
9 SS 8 MFSB 10 X MFS 10	3.965	3.418	1-14 U.N.	1-14 U.N.	1.125	1.826	5000	0.297
9 SS 12 MFSB 12 X MFS 12	4.245	3.605	1 ³ / ₁₆ -12 U.N.	1 ³ / ₁₆ -12 U.N.	1.500	2.135	4500	0.378
9 SS 16 MFSB 16 X MFS 16	5.000	4.127	1 ⁷ / ₁₆ -12 U.N.	1 ⁷ / ₁₆ -12 U.N.	1.750	2.255	4000	0.484
9 SS 20 MFSB 20 X MFS 20	5.430	3.649	1 ¹¹ / ₁₆ -12 U.N.	1 ¹¹ / ₁₆ -12 U.N.	2.000	2.658	4000	0.718

Female Pipe (N.P.T.F.) X J.I.C. Swivel Nut (37°)



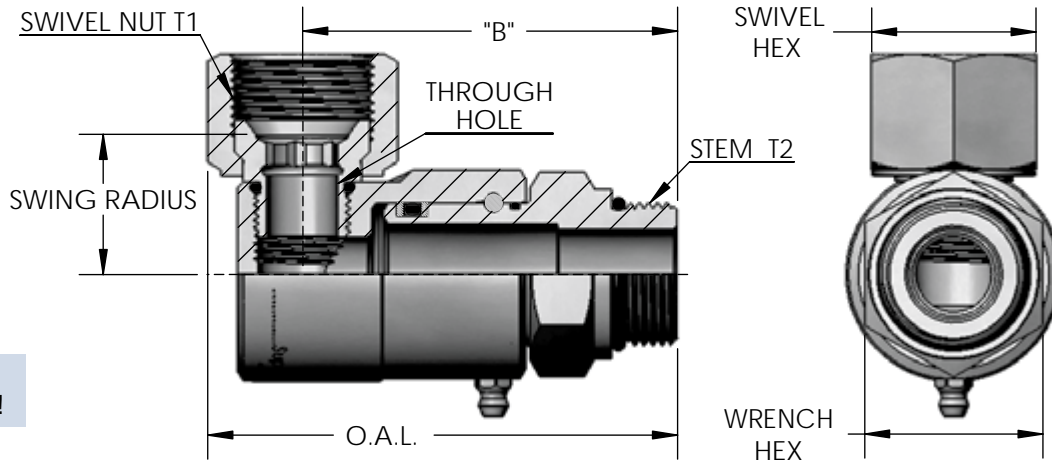
PART NUMBER	O.A.L.	DIM. B	SWIVEL HEX	WRENCH/HEX	SWIVEL NUT T1	STEM T2	SWG. RADIUS	MAX P.S.I.G.	THROUGH HOLE
9 SS 4 FP 25 X FJS 4	2.510	2.000	0.562	0.750	7/16-20 U.N.	1/4-18 N.P.T.F.	1.171	3500	0.165
9 SS 4 FP 25 X FJS 6	2.510	2.000	0.687	0.750	9/16-18 U.N.	1/4-18 N.P.T.F.	1.167	3500	0.250
9 SS 8 FP 38 X FJS 6	2.670	2.120	0.687	0.875	9/16-18 U.N.	3/8-18 N.P.T.F.	1.283	3500	0.290
9 SS 8 FP 50 X FJS 8	2.850	2.270	0.875	1.125	3/4-16 U.N.	1/2-14 N.P.T.F.	1.254	3500	0.290
9 SS 8 FP 50 X FJS 10	2.880	2.270	1.000	1.125	7/8-14 U.N.	1/2-14 N.P.T.F.	1.017	4500	0.320
9 SS 12 FP 75 X FJS 12	3.080	2.360	1.250	1.375	1 1/16-12 U.N.	3/4-14 N.P.T.F.	1.040	4500	0.460
9 SS 16 FP 100 X FJS 16	3.840	2.980	1.500	1.625	1 5/16-12 U.N.	1-11 1/2 N.P.T.F.	1.277	4000	0.650
9 SS 20 FP 125 X FJS 20	4.430	3.285	2.00	2.000	1 5/8-12 U.N.	1 1/4-11 1/2 N.P.T.F.	1.403	4000	0.790
9 SS 24 FP 150 X FJS 24	5.680	4.375	2.250	2.375	1 7/8-12 U.N.	1 1/2-11 1/2 N.P.T.F.	1.699	4000	0.920

Male Pipe (N.P.T.F.) X J.I.C. Swivel Nut (37°)



PART NUMBER	O.A.L.	DIM. B	SWIVEL HEX	WRENCH/HEX	SWIVEL NUT T1	STEM T2	SWG. RADIUS	MAX P.S.I.G.	THROUGH HOLE
9 SS 4 MP 25 X FJS 4	2.640	2.130	0.562	0.625	7/16-20 U.N.	1/4-18 N.P.T.F.	1.171	3500	0.165
9 SS 4 MP 38 X FJS 4	2.720	2.210	0.562	0.750	7/16-20 U.N.	3/8-18 N.P.T.F.	1.171	3500	0.165
9 SS 4 MP 25 X FJS 6	2.640	2.130	0.687	0.625	9/16-18 U.N.	1/4-18 N.P.T.F.	1.167	3500	0.250
9 SS 4 MP 38 X FJS 6	2.720	2.210	0.687	0.750	9/16-18 U.N.	3/8-18 N.P.T.F.	1.167	3500	0.250
9 SS 8 MP 38 X FJS 6	3.052	2.548	0.687	1.000	9/16-18 U.N.	3/8-18 N.P.T.F.	1.283	3500	0.290
9 SS 8 MP 50 X FJS 8	3.170	2.620	0.875	1.000	3/4-16 U.N.	1/2-14 N.P.T.F.	1.254	3500	0.290
9 SS 8 MP 50 X FJS 10	3.170	2.620	1.000	1.000	7/8-14 U.N.	1/2-14 N.P.T.F.	1.017	4500	0.320
9 SS 12 MP 75 X FJS 12	3.481	2.760	1.250	1.125	1 1/16-12 U.N.	3/4-14 N.P.T.F.	1.040	4500	0.460
9 SS 16 MP 100 X FJS 16	4.327	3.462	1.500	1.375	1 5/16-12 U.N.	1-11 1/2 N.P.T.F.	1.277	4000	0.650
9 SS 20 MP 125 X FJS 20	4.949	3.795	2.000	1.750	1 5/8-12 U.N.	1 1/4-11 1/2 N.P.T.F.	1.403	4000	0.790
9 SS 24 MP 150 X FJS 24	6.253	4.955	2.250	2.000	1 7/8-12 U.N.	1 1/2-11 1/2 N.P.T.F.	1.699	4000	0.920

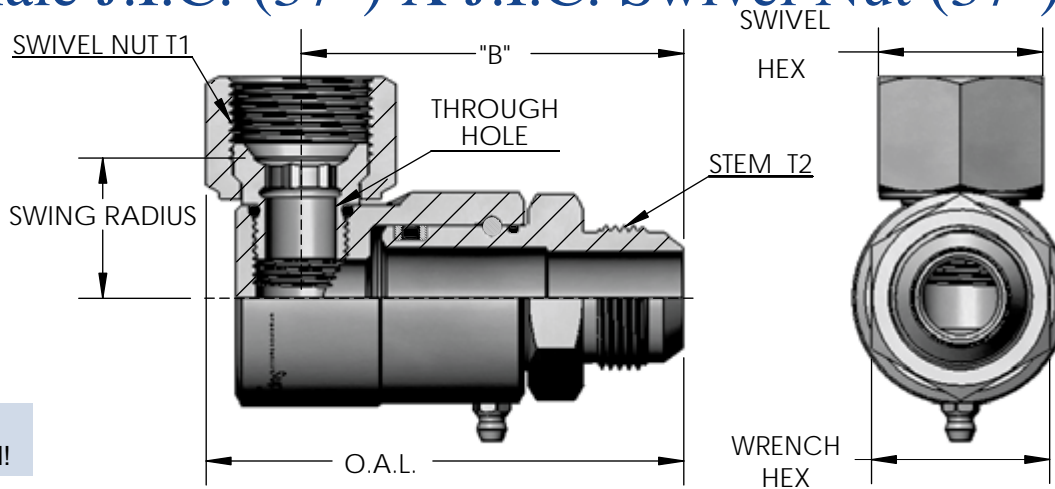
Male O-Ring (O.R.B.) X J.I.C. Swivel Nut (37°)



Not Available
In Stainless Steel!

PART NUMBER	O.A.L.	DIM. B	SWIVEL HEX	WRENCH/HEX	SWIVEL NUT T1	STEM T2	SWG. RADIUS	MAX P.S.I.G.	THROUGH HOLE
9 SS 4 MO 6 X FJS 4	2.727	2.215	0.562	0.750	7/16-20 U.N.	9/16-18 U.N.	1.171	3500	0.165
9 SS 4 MO 6 X FJS 6	2.727	2.215	0.687	0.750	9/16-18 U.N.	9/16-18 U.N.	1.167	3500	0.250
9 SS 8 MO 8 X FJS 6	2.923	2.376	0.687	1.000	9/16-18 U.N.	3/4-16 U.N.	1.283	3500	0.290
9 SS 8 MO 8 X FJS 8	2.953	2.376	0.875	1.000	3/4-16 U.N.	3/4-16 U.N.	1.254	3500	0.290
9 SS 8 MO 10 X FJS 10	3.075	2.498	1.000	1.000	7/8-14 U.N.	7/8-14 U.N.	1.017	4500	0.320
9 SS 12 MO 12 X FJS 12	3.470	2.749	1.250	1.375	1 1/16-12 U.N.	1 1/16-12 U.N.	1.040	4500	0.460
9 SS 16 MO 16 X FJS 16	4.276	3.411	1.500	1.625	1 5/16-12 U.N.	1 5/16-12 U.N.	1.277	4000	0.650
9 SS 20 MO 20 X FJS 20	4.909	3.755	2.000	1.750	1 5/8-12 U.N.	1 5/8-12 U.N.	1.403	4000	0.790
9 SS 24 MO 24 X FJS 24	6.173	4.875	2.250	2.125	1 7/8-12 U.N.	1 7/8-12 U.N.	1.699	4000	0.920

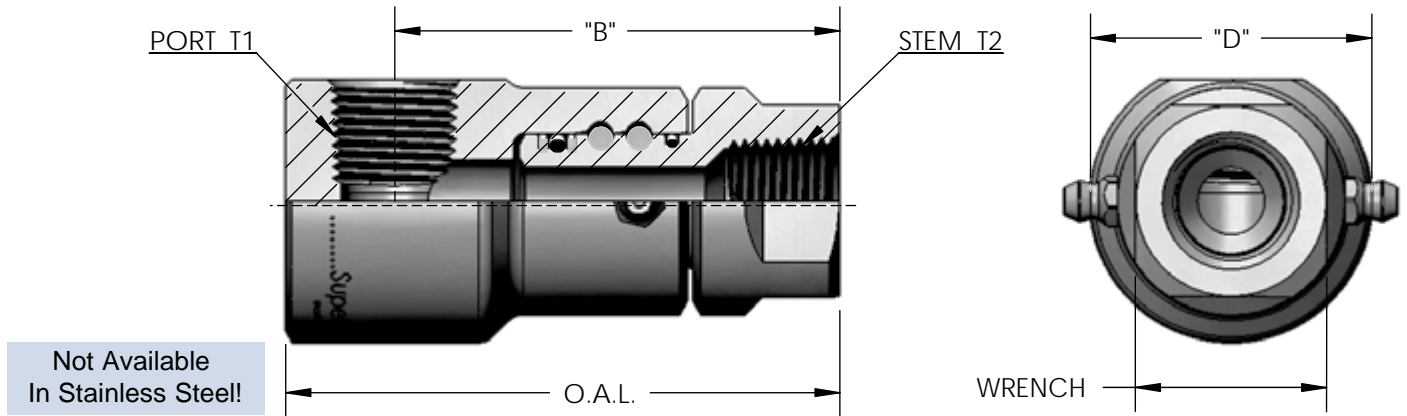
Male J.I.C. (37°) X J.I.C. Swivel Nut (37°)



Not Available
In Stainless Steel!

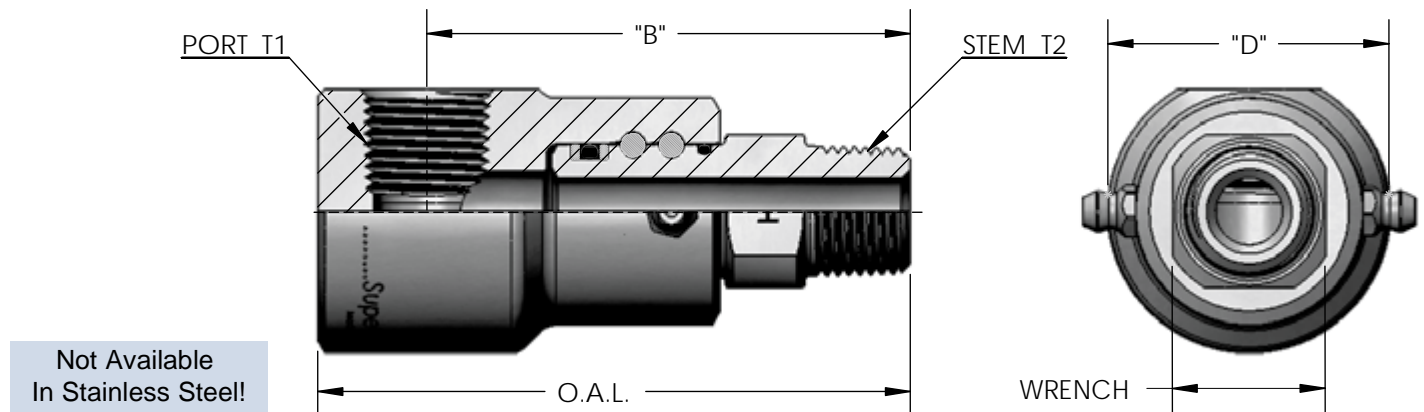
PART NUMBER	O.A.L.	DIM. B	SWIVEL HEX	WRENCH/HEX	SWIVEL NUT T1	STEM T2	SWG. RADIUS	MAX P.S.I.G.	THROUGH HOLE
9 SS 4 MJ 6 X FJS 4	2.887	2.375	0.562	0.750	7/16-20 U.N.	9/16-18 U.N.	1.171	3500	0.165
9 SS 4 MJ 6 X FJS 6	2.887	2.375	0.687	0.750	9/16-18 U.N.	9/16-18 U.N.	1.167	3500	0.250
9 SS 8 MJ 8 X FJS 6	3.070	2.523	0.687	1.000	9/16-18 U.N.	3/4-16 U.N.	1.283	3500	0.290
9 SS 8 MJ 8 X FJS 8	3.100	2.523	0.875	1.000	3/4-16 U.N.	3/4-16 U.N.	1.254	3500	0.290
9 SS 8 MJ 8 X FJS 10	3.100	2.523	1.000	1.000	7/8-14 U.N.	3/4-16 U.N.	1.017	4500	0.320
9 SS 8 MJ 10 X FJS 10	3.200	2.623	1.000	1.000	7/8-14 U.N.	7/8-14 U.N.	1.017	4500	0.320
9 SS 12 MJ 12 X FJS 12	3.606	2.885	1.250	1.375	1 1/16-12 U.N.	1 1/16-12 U.N.	1.040	4500	0.460
9 SS 16 MJ 16 X FJS 16	4.348	3.482	1.500	1.625	1 5/16-12 U.N.	1 5/16-12 U.N.	1.277	4000	0.650
9 SS 20 MJ 20 X FJS 20	4.989	3.835	2.000	1.750	1 5/8-12 U.N.	1 5/8-12 U.N.	1.403	4000	0.790
9 SS 24 MJ 24 X FJS 24	6.343	5.045	2.250	2.125	1 7/8-12 U.N.	1 7/8-12 U.N.	1.699	4000	0.920

10,000 P.S.I. Female Pipe (N.P.T.F.) X Female Pipe (N.P.T.F.)



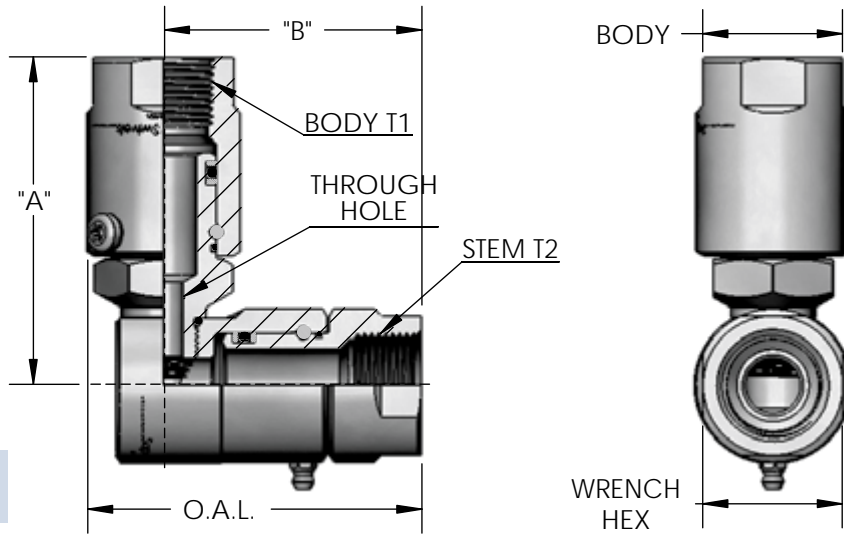
PART NUMBER	O.A.L.	DIM. B	DIM. D Ø	WRENCH	PORT T1	STEM T2	SWG. RADIUS	MAX. P.S.I.G.	THROUGH HOLE
9 SS 8 HP FP 50 X FP 50	3.470	2.895	1.842	1.125	1/2-14 N.P.T.F.	1/2-14 N.P.T.F.	1.048	10,000	0.437

10,000 P.S.I. Male Pipe (N.P.T.F.) X Female Pipe (N.P.T.F.)



PART NUMBER	O.A.L.	DIM. B	DIM. D Ø	WRENCH	PORT T1	STEM T2	SWG. RADIUS	MAX. P.S.I.G.	THROUGH HOLE
9 SS 8 HP MP 50 X FP 50	3.855	3.145	1.842	1.000	1/2-14 N.P.T.F.	1/2-14 N.P.T.F.	1.048	10,000	0.437

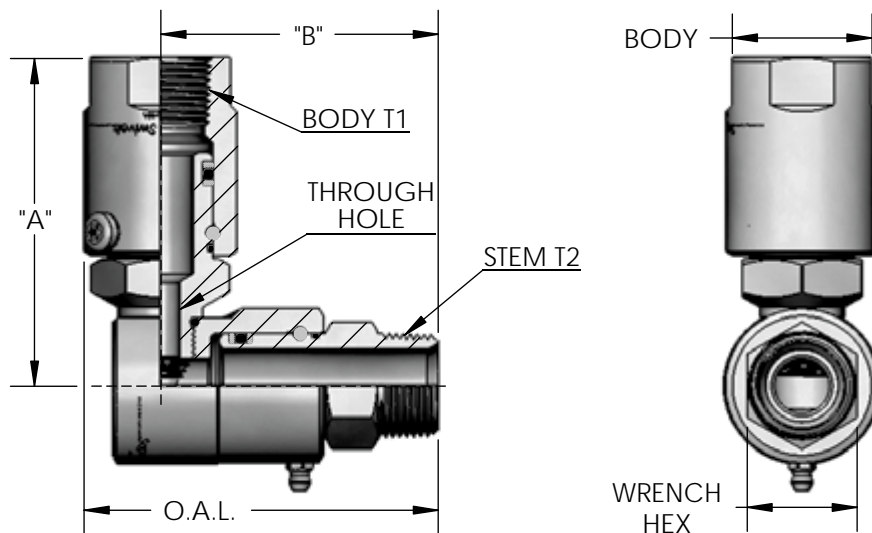
Female Pipe (N.P.T.F.) X Female Pipe (N.P.T.F.)



Not Available
In Stainless Steel!

PART NUMBER	O.A.L.	DIM. B	BODY	WRENCH/HEX	BODY T1	STEM T2	DIM. A	MAX. P.S.I.G.	THROUGH HOLE
9 DP 4 FP 25 X FP 25	2.480	2.000	0.875	0.750	1/4-18 N.P.T.F.	1/4-18 N.P.T.F.	2.689	5000	0.250
9 DP 8 FP 38 X FP 38	2.770	2.120	1.125	0.875	3/8-18 N.P.T.F.	3/8-18 N.P.T.F.	3.063	5000	0.297
9 DP 8 FP 50 X FP 50	2.920	2.270	1.250	1.125	1/2-14 N.P.T.F.	1/2-14 N.P.T.F.	3.053	5000	0.297
9 DP 12 FP 75 X FP 75	3.200	2.360	1.500	1.375	3/4-14 N.P.T.F.	3/4-14 N.P.T.F.	3.190	4500	0.391
9 DP 16 FP 100 X FP 100	3.940	2.980	1.75	1.625	1-11 1/2 N.P.T.F.	1-11 1/2 N.P.T.F.	4.090	4000	0.484
9 DP 20 FP 125 X FP 125	4.460	3.285	2.125	2.000	1 1/4-11 1/2 N.P.T.F.	1 1/4-11 1/2 N.P.T.F.	4.631	4000	0.718
9 DP 24 FP 150 X FP 150	5.650	4.375	2.375	2.375	1 1/2-11 1/2 N.P.T.F.	1 1/2-11 1/2 N.P.T.F.	5.351	4000	0.844

Male Pipe (N.P.T.F.) X Female Pipe (N.P.T.F.)



Not Available
In Stainless Steel!

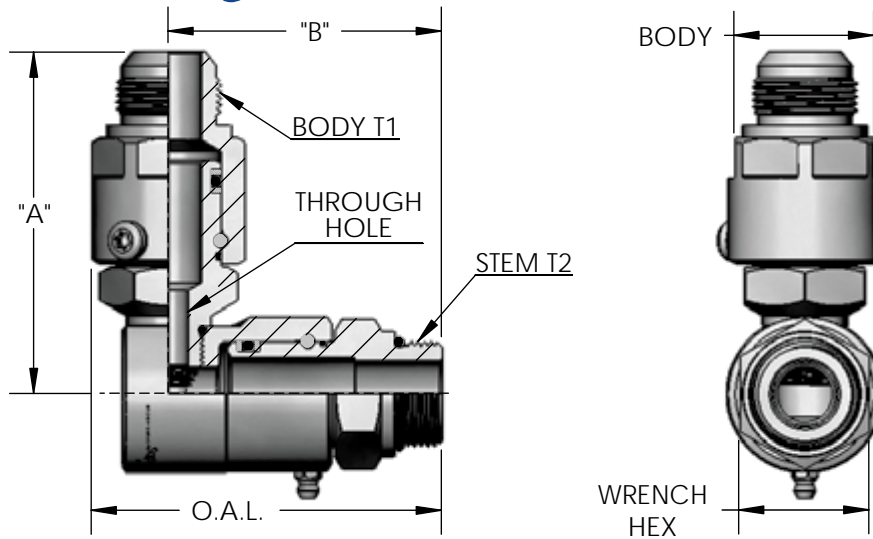
PART NUMBER	O.A.L.	DIM. B	BODY	WRENCH/HEX	BODY T1	STEM T2	DIM. A	MAX. P.S.I.G.	THROUGH HOLE
9 DP 4 MP 25 X FP 25	2.640	2.130	0.875	0.625	1/4-18 N.P.T.F.	1/4-18 N.P.T.F.	2.689	5000	0.250
9 DP 8 MP 38 X FP 38	3.193	2.548	1.125	1.000	3/8-18 N.P.T.F.	3/8-18 N.P.T.F.	3.063	5000	0.297
9 DP 8 MP 50 X FP 50	3.318	2.673	1.250	1.000	1/2-14 N.P.T.F.	1/2-14 N.P.T.F.	3.053	5000	0.297
9 DP 12 MP 75 X FP 75	3.598	2.760	1.500	1.125	3/4-14 N.P.T.F.	3/4-14 N.P.T.F.	3.190	4500	0.391
9 DP 16 MP 100 X FP 100	4.420	3.462	1.750	1.375	1-11 1/2 N.P.T.F.	1-11 1/2 N.P.T.F.	4.090	4000	0.484
9 DP 20 MP 125 X FP 125	4.973	3.795	2.125	1.750	1 1/4-11 1/2 N.P.T.F.	1 1/4-11 1/2 N.P.T.F.	4.631	4000	0.718
9 DP 24 MP 150 X FP 150	6.229	4.955	2.375	2.000	1 1/2-11 1/2 N.P.T.F.	1 1/2-11 1/2 N.P.T.F.	5.351	4000	0.844

90° Dual Plane Swivels



Switch Your Swivel![®]

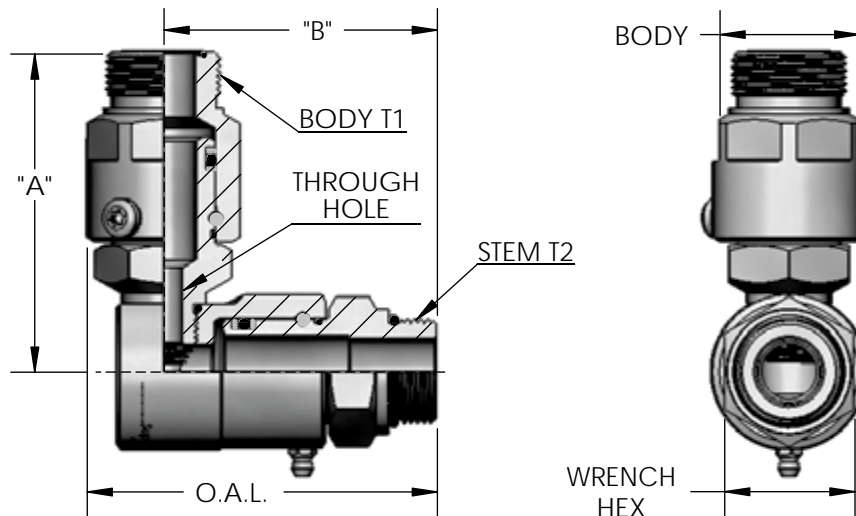
Male O-Ring (O.R.B.) X Male J.I.C. (37°)



Not Available
In Stainless Steel!

PART NUMBER	O.A.L.	DIM. B	BODY	WRENCH/HEX	BODY T1	STEM T2	DIM. A	MAX. P.S.I.G.	THROUGH HOLE
9 DP 4 MO 4 X MJ 4	2.792	2.215	1.000	0.625	7/16-20 U.N.	7/16-20 U.N.	2.689	5000	0.172
9 DP 4 MO 6 X MJ 6	2.792	2.215	1.000	0.750	9/16-18 U.N.	9/16-18 U.N.	2.689	5000	0.250
9 DP 8 MO 8 X MJ 8	3.021	2.376	1.375	1.000	3/4-16 U.N.	3/4-16 U.N.	3.103	5000	0.297
9 DP 8 MO 10 X MJ 10	3.291	2.498	1.375	1.000	7/8-14 U.N.	7/8-14 U.N.	3.253	5000	0.297
9 DP 12 MO 12 X MJ 12	3.615	2.749	1.500	1.375	1 1/16-12 U.N.	1 1/16-12 U.N.	3.465	4500	0.391
9 DP 16 MO 16 X MJ 16	4.370	3.411	1.750	1.625	1 5/16-12 U.N.	1 5/16-12 U.N.	4.260	4000	0.484
9 DP 20 MO 20 X MJ 20	4.934	3.755	2.125	1.875	1 5/8-12 U.N.	1 5/8-12 U.N.	4.796	4000	0.718
9 DP 24 MO 24 X MJ 24	6.149	4.875	2.375	2.125	1 7/8-12 U.N.	1 7/8-12 U.N.	5.510	4000	0.844

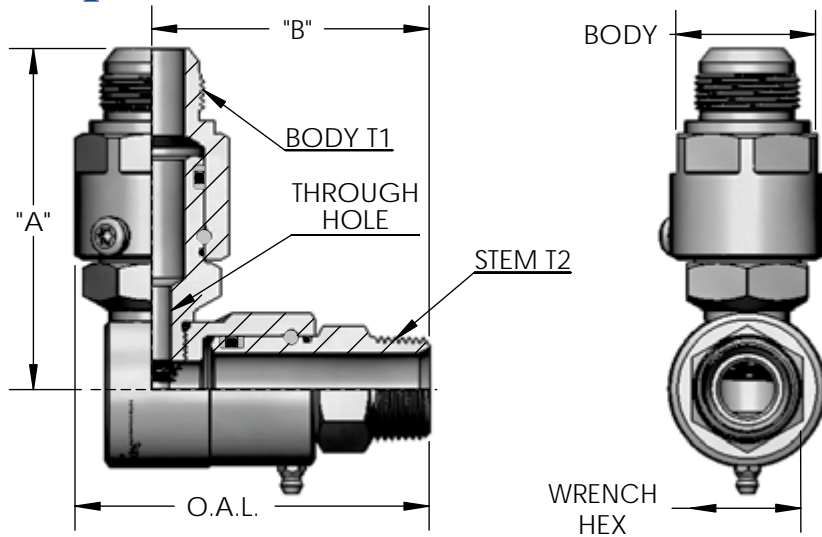
Male O-Ring (O.R.B.) X Male Face Seal (M.F.S.)



Not Available
In Stainless Steel!

PART NUMBER	O.A.L.	DIM. B	BODY	WRENCH/HEX	BODY T1	STEM T2	DIM. A	MAX. P.S.I.G.	THROUGH HOLE
9 DP 4 MO 6 X MFS 6	2.792	2.215	1.000	0.750	11/16-16 U.N.	9/16-18 U.N.	2.609	5000	0.250
9 DP 8 MO 8 X MFS 8	3.169	2.376	1.375	1.000	13/16-16 U.N.	3/4-16 U.N.	2.912	5000	0.297
9 DP 8 MO 10 X MFS 10	3.291	2.498	1.375	1.000	1-14 U.N.	7/8-14 U.N.	3.018	5000	0.291
9 DP 12 MO 12 X MFS 12	3.615	2.749	1.500	1.375	1 3/16-12 U.N.	1 1/16-12 U.N.	3.239	4500	0.391
9 DP 16 MO 16 X MFS 16	4.370	3.411	1.750	1.625	1 7/16-12 U.N.	1 5/16-12 U.N.	3.970	4000	0.484
9 DP 20 MO 20 X MFS 20	4.934	3.755	2.125	1.875	1 11/16-12 U.N.	1 5/8-12 U.N.	4.446	4000	0.718
9 DP 24 MO 24 X MFS 24	6.149	4.875	2.375	2.125	2-12 U.N.	1 7/8-12 U.N.	5.116	4000	0.844

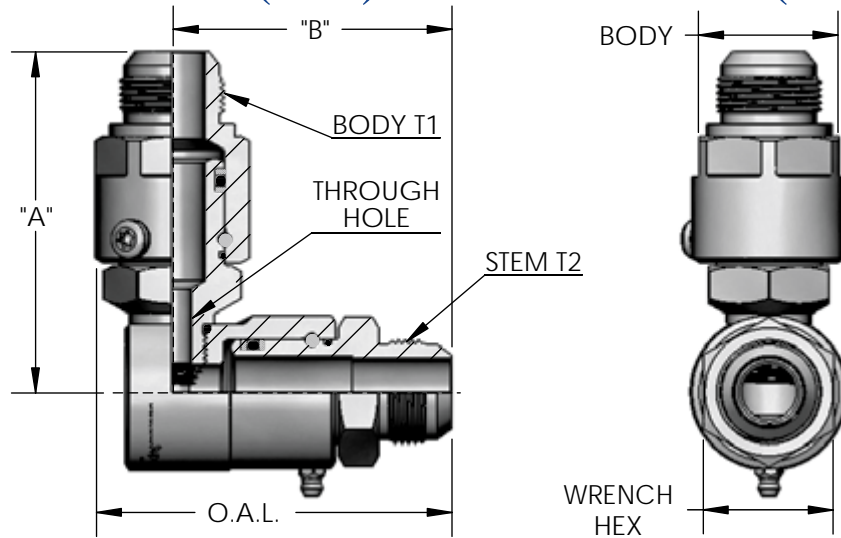
Male Pipe (N.P.T.F.) X Male J.I.C. (37°)



Not Available
In Stainless Steel!

PART NUMBER	O.A.L.	DIM. B	BODY	WRENCH/HEX	BODY T1	STEM T2	DIM. A	MAX. P.S.I.G.	THROUGH HOLE
9 DP 4 MP 25 X MJ 4	2.640	2.130	1.000	0.625	7/16-20 U.N.	1/4-18 N.P.T.F.	2.689	5000	0.172
9 DP 4 MP 38 X MJ 6	2.720	2.210	1.000	1.000	9/16-18 U.N.	3/8-18 N.P.T.F.	2.807	5000	0.250
9 DP 8 MP 50 X MJ 8	3.360	2.620	1.375	1.000	3/4-16 U.N.	1/2-14 N.P.T.F.	3.103	5000	0.297
9 DP 8 MP 50 X MJ 10	3.360	2.620	1.375	1.000	7/8-14 U.N.	1/2-14 N.P.T.F.	3.253	5000	0.297
9 DP 12 MP 75 X MJ 12	3.626	2.760	1.500	1.125	1 1/16-12 U.N.	3/4-14 N.P.T.F.	3.465	4500	0.391
9 DP 16 MP 100 X MJ 16	4.420	3.462	1.750	1.375	1 5/16-12 U.N.	1-11 1/2 N.P.T.F.	4.260	4000	0.484
9 DP 20 MP 125 X MJ 20	4.973	3.795	2.125	1.750	1 5/8-12 U.N.	1 1/4-11 1/2 N.P.T.F.	4.796	4000	0.718
9 DP 24 MP 150 X MJ 24	6.229	4.955	2.375	2.000	1 7/8-12 U.N.	1 1/2-11 1/2 N.P.T.F.	5.510	4000	0.844

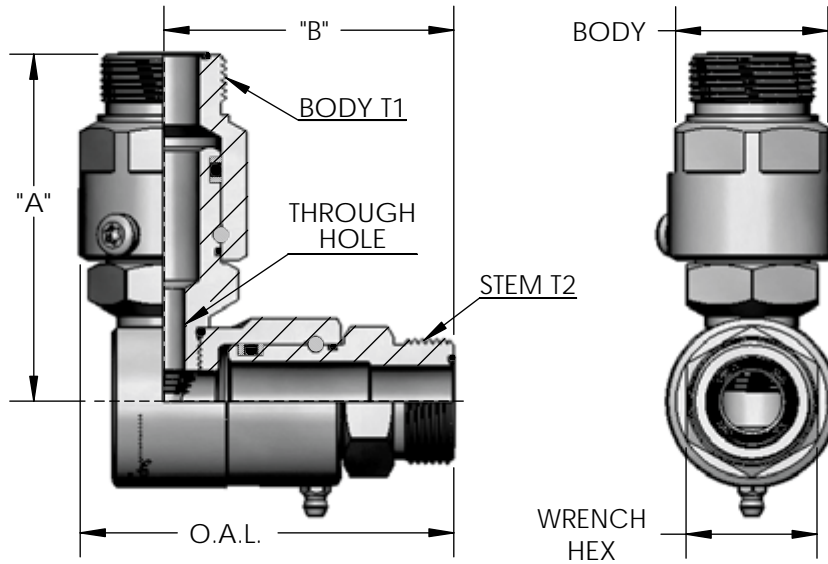
Male J.I.C. (37°) X Male J.I.C. (37°)



Not Available
In Stainless Steel!

PART NUMBER	O.A.L.	DIM. B	BODY	WRENCH/HEX	BODY T1	STEM T2	DIM. A	MAX. P.S.I.G.	THROUGH HOLE
9 DP 4 MJ 4 X MJ 4	2.837	2.325	1.000	0.750	7/16-20 U.N.	7/16-20 U.N.	2.689	5000	0.172
9 DP 4 MJ 6 X MJ 6	2.922	2.345	1.000	0.750	9/16-18 U.N.	9/16-18 U.N.	2.689	5000	0.250
9 DP 8 MJ 8 X MJ 8	3.168	2.523	1.375	1.000	3/4-16 U.N.	3/4-16 U.N.	3.103	5000	0.297
9 DP 8 MJ 10 X MJ 10	3.416	2.623	1.375	1.000	7/8-14 U.N.	7/8-14 U.N.	3.253	5000	0.297
9 DP 12 MJ 12 X MJ 12	3.751	2.885	1.500	1.375	1 1/16-12 U.N.	1 1/16-12 U.N.	3.465	4500	0.391
9 DP 16 MJ 16 X MJ 16	4.441	3.482	1.750	1.625	1 5/16-12 U.N.	1 5/16-12 U.N.	4.260	4000	0.484
9 DP 20 MJ 20 X MJ 20	5.013	3.835	2.125	1.750	1 5/8-12 U.N.	1 5/8-12 U.N.	4.796	4000	0.718
9 DP 24 MJ 24 X MJ 24	6.319	5.045	2.375	2.125	1 7/8-12 U.N.	1 7/8-12 U.N.	5.510	4000	0.844

Male Face Seal (M.F.S.) X Male Face Seal (M.F.S.)



Not Available
In Stainless Steel!

PART NUMBER	O.A.L.	DIM. B	BODY	WRENCH/HEX	BODY T1	STEM T2	DIM. A	MAX. P.S.I.G.	THROUGH HOLE
9 DP 4 MFS 6 X MFS 6	2.753	2.176	1.000	0.750	11/16-16 U.N.	11/16-16 U.N.	2.609	5000	0.250
9 DP 8 MFS 8 X MFS 8	3.155	2.362	1.375	1.000	13/16-16 U.N.	13/16-16 U.N.	2.912	5000	0.297
9 DP 8 MFS 10 X MFS 10	3.351	2.558	1.375	1.125	1-14 U.N.	1-14 U.N.	3.018	5000	0.297
9 DP 12 MFS 12 X MFS 12	3.610	2.745	1.500	1.250	1 3/16-12 U.N.	1 3/16-12 U.N.	3.239	4500	0.391
9 DP 16 MFS 16 X MFS 16	4.274	3.316	1.750	1.500	1 7/16-12 U.N.	1 7/16-12 U.N.	3.970	4000	0.484
9 DP 20 MFS 20 X MFS 20	4.827	3.649	2.125	1.750	1 11/16-12 U.N.	1 11/16-12 U.N.	4.446	4000	0.718
9 DP 24 MFS 24 X MFS 24	5.982	4.709	2.375	2.125	2-12 U.N.	2-12 U.N.	5.116	4000	0.844

Swivel 3D CAD Models Are Available



Super Swivels 3D CAD models are available

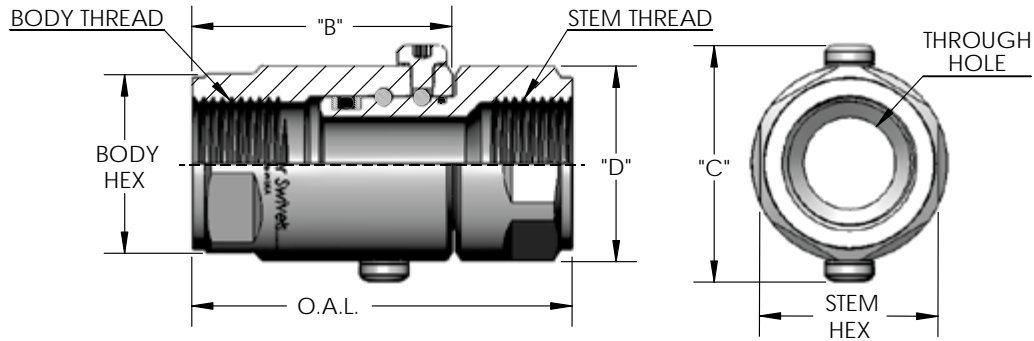
BSPP

Inline & 90° Swivels



Switch Your Swivel!®

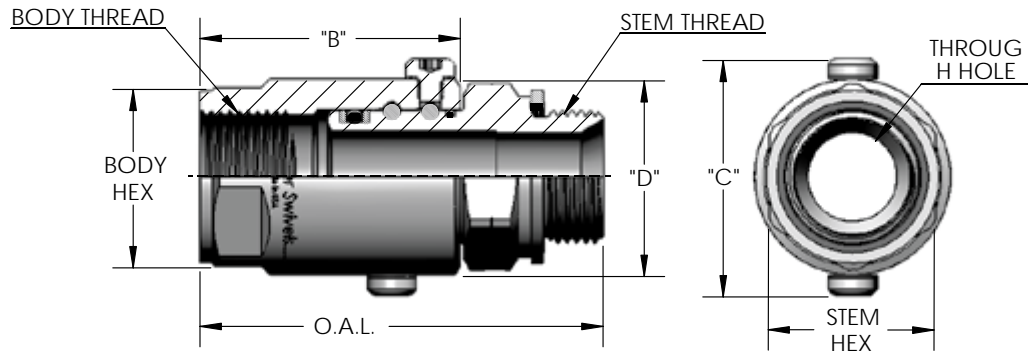
Female BSPP X Female BSPP



Not Available
In Stainless Steel!

PART NUMBER	O.A.L.	DIM. B	DIM. D Ø	DIM. C	WRENCH HEX.	BODY THREAD	STEM THREAD	MAX. PRES.	THROUGH HOLE
SS 4 FBSPP 4 X FBSPP 4	2.570 65.3 mm	1.720 43.7 mm	0.992 25.2 mm	1.122 28.5 mm	0.875 22.2 mm	G 1/4-19 BSPP	G 1/4-19 BSPP	345 5,000	0.250 6.3 mm
SS 6 FBSPP 6 X FBSPP 6	2.663 67.6 mm	1.780 45.2 mm	1.302 33.1 mm	1.702 43.2 mm	1.187 30.1 mm	G 3/8-19 BSPP	G 3/8-19 BSPP	345 5,000	0.312 7.9 mm
SS 8 DB FBSPP 8 X FBSPP 8	3.007 76.4 mm	2.080 52.8 mm	1.480 37.6 mm	1.880 47.8 mm	1.312 33.3 mm	G 1/2-14 BSPP	G 1/2-14 BSPP	345 5,000	0.406 10.3 mm
SS 12 DB FBSPP 12 X FBSPP 12	3.102 78.8 mm	2.100 53.3 mm	1.675 42.5 mm	2.070 52.6 mm	1.500 38.1 mm	G 3/4-14 BSPP	G 3/4-14 BSPP	345 5,000	0.630 16.0 mm
SS 16 DB FBSPP 16 X FBSPP 16	3.725 94.6 mm	2.550 64.8 mm	1.917 48.7 mm	2.320 58.9 mm	1.750 44.4 mm	G 1-11 BSPP	G 1-11 BSPP	310 4,500	0.787 20.0 mm
SS 20 FBSPP 20 X FBSPP 20	4.040 102.6 mm	2.650 67.3 mm	2.358 59.9 mm	2.760 70.1 mm	2.125 54.0 mm	G 1 1/4-11 BSPP	G 1 1/4-11 BSPP	275 4,000	0.984 25.0 mm
SS 24 FBSPP 24 X FBSPP 24	4.640 117.9 mm	3.250 82.5 mm	2.548 64.7 mm	2.950 74.9 mm	2.375 60.3 mm	G 1 1/2-11 BSPP	G 1 1/2-11 BSPP	275 4,000	1.260 32.0 mm

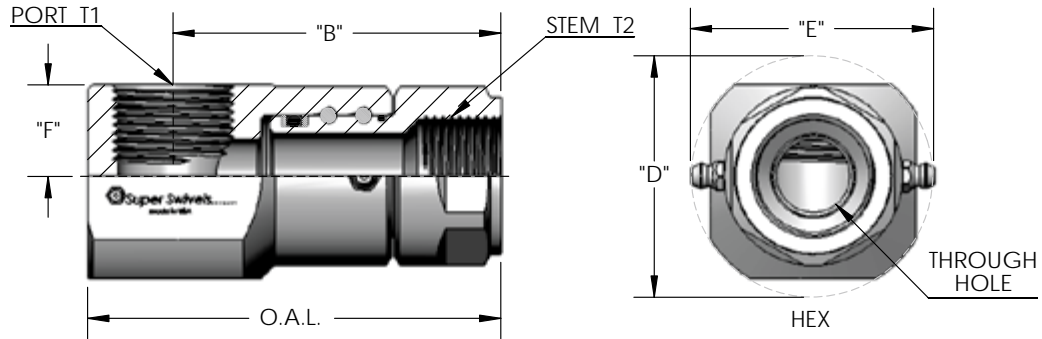
Male BSPP X Female BSPP



Not Available
In Stainless Steel!

PART NUMBER (Inches)	O.A.L.	DIM. B	DIM. D Ø	DIM. C	WRENCH HEX.	BODY THREAD	STEM THREAD	MAX. PRES.	THROUGH HOLE
SS 4 MBSPP 4 X FBSPP 4	2.665 67.7 mm	1.720 43.7 mm	0.992 25.2 mm	1.122 28.4 mm	0.812 20.6 mm	G 1/4-19 BSPP	G 1/4-19 BSPP	345 5,000	0.250 6.3 mm
SS 6 MBSPP 6 X FBSPP 6	2.728 69.3 mm	1.780 45.2 mm	1.302 33.1 mm	1.702 43.2 mm	0.937 23.8 mm	G 3/8-19 BSPP	G 3/8-19 BSPP	345 5,000	0.312 7.9 mm
SS 8 DB MBSPP 8 X FBSPP 8	3.102 78.8 mm	2.080 52.8 mm	1.480 37.6 mm	1.880 47.7 mm	1.125 28.6 mm	G 1/2-14 BSPP	G 1/2-14 BSPP	345 5,000	0.406 10.3 mm
SS 12 DB MBSPP 12 X FBSPP 12	3.302 83.9 mm	2.100 53.3 mm	1.675 42.5 mm	2.070 52.5 mm	1.312 33.3 mm	G 3/4-14 BSPP	G 3/4-14 BSPP	345 5,000	0.630 16.0 mm
SS 16 DB MBSPP 16 X FBSPP 16	3.947 100.3 mm	2.550 64.8 mm	1.917 48.7 mm	2.320 58.9 mm	1.625 41.3 mm	G 1-11 BSPP	G 1-11 BSPP	310 4,500	0.787 20.0 mm
SS 20 MBSPP 20 X FBSPP 20	4.265 108.3 mm	2.650 67.3 mm	2.358 59.9 mm	2.760 70.1 mm	2.000 50.8 mm	G 1 1/4-11 BSPP	G 1 1/4-11 BSPP	275 4,000	0.984 25.0 mm
SS 24 MBSPP 24 X FBSPP 24	5.085 129.2 mm	3.250 82.5 mm	2.548 64.7 mm	2.950 74.9 mm	2.250 57.1 mm	G 1 1/2-11 BSPP	G 1 1/2-11 BSPP	275 4,000	1.260 32.0 mm

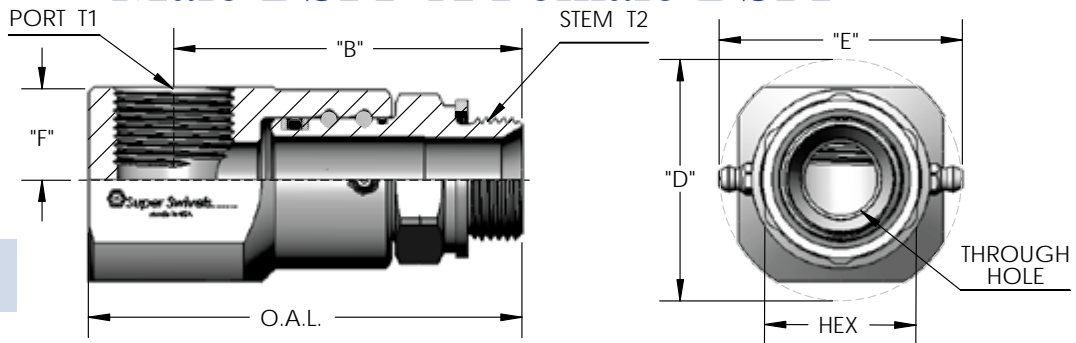
Female BSPP X Female BSPP



Not Available
In Stainless Steel!

PART NUMBER	O.A.L.	DIM. B	DIM. D Ø	DIM. E	WRENCH HEX.	PORT T1	STEM T2	DIM. F	MAX. PRES.	THROUGH HOLE
9 SS 4 FBSPP 4 X FBSPP 4	2.715 69.0 mm	2.255 57.3 mm	1.318 33.5 mm	1.858 47.2 mm	0.875 22.2 mm	G 1/4-19 BSPP	G 1/4-19 BSPP	0.519 13.2 mm	345 5,000	0.250 6.3 mm
9 SS 6 FBSPP 6 X FBSPP 6	2.883 73.2 mm	2.313 58.8 mm	1.450 36.8 mm	1.992 50.6 mm	1.187 30.1 mm	G 3/8-19 BSPP	G 3/8-19 BSPP	0.552 14.0 mm	345 5,000	0.312 7.9 mm
9 SS 8 DB FBSPP 8 X FBSPP 8	3.317 84.3 mm	2.686 68.2 mm	1.724 43.8 mm	2.170 55.1 mm	1.312 33.3 mm	G 1/2-14 BSPP	G 1/2-14 BSPP	0.653 16.6 mm	345 5,000	0.406 10.3 mm
9 SS 12 DB FBSPP 12 X FBSPP 12	3.722 94.5 mm	2.942 74.7 mm	2.184 55.5 mm	2.370 60.2 mm	1.500 38.1 mm	G 3/4-14 BSPP	G 3/4-14 BSPP	0.849 21.6 mm	345 5,000	0.630 16.0 mm
9 SS 16 DB FBSPP 16 X FBSPP 16	4.428 112.5 mm	3.513 89.2 mm	2.588 65.7 mm	2.610 66.3 mm	1.750 44.4 mm	G 1-11 BSPP	G 1-11 BSPP	0.982 24.9 mm	310 4,500	0.787 20.0 mm
9 SS 20 FBSPP 20 X FBSPP 20	4.890 124.2 mm	3.790 96.3 mm	3.088 78.4 mm	3.050 77.5 mm	2.125 54.0 mm	G 1 1/4-11 BSPP	G 1 1/4-11 BSPP	1.149 29.2 mm	275 4,000	0.984 25.0 mm
9 SS 24 FBSPP 24 X FBSPP 24	5.940 150.9 mm	4.670 118.6 mm	3.576 90.8 mm	3.240 82.3 mm	2.375 60.3 mm	G 1 1/2-11 BSPP	G 1 1/2-11 BSPP	1.366 34.7 mm	275 4,000	1.260 32.0 mm

Male BSPP X Female BSPP



Not Available
In Stainless Steel!

PART NUMBER	O.A.L.	DIM. B	DIM. D Ø	DIM. E	WRENCH HEX.	PORT T1	STEM T2	DIM. F	MAX. PRES.	THROUGH HOLE
9 SS 4 MBSPP 4 X FBSPP 4	2.810 71.4 mm	2.350 59.7 mm	1.318 33.5 mm	1.858 47.2 mm	0.812 20.6 mm	G 1/4-19 BSPP	G 1/4-19 BSPP	0.519 13.2 mm	345 5,000	0.250 6.3 mm
9 SS 6 MBSPP 6 X FBSPP 6	2.947 74.9 mm	2.367 60.1 mm	1.450 36.8 mm	1.992 50.6 mm	0.937 23.8 mm	G 3/8-19 BSPP	G 3/8-19 BSPP	0.552 14.0 mm	345 5,000	0.312 7.9 mm
9 SS 8 DB MBSPP 8 X FBSPP 8	3.412 86.7 mm	2.781 70.6 mm	1.724 43.8 mm	2.170 55.1 mm	1.125 28.6 mm	G 1/2-14 BSPP	G 1/2-14 BSPP	0.653 16.6 mm	345 5,000	0.406 10.3 mm
9 SS 12 DB MBSPP 12 X FBSPP 12	3.922 99.6 mm	3.142 79.8 mm	2.184 55.5 mm	2.370 60.2 mm	1.312 33.3 mm	G 3/4-14 BSPP	G 3/4-14 BSPP	0.849 21.6 mm	345 5,000	0.630 16.0 mm
9 SS 16 DB MBSPP 16 X FBSPP 16	4.648 118.1 mm	3.733 94.8 mm	2.588 65.7 mm	2.610 66.3 mm	1.625 41.3 mm	G 1-11 BSPP	G 1-11 BSPP	0.982 24.9 mm	310 4,500	0.787 20.0 mm
9 SS 20 MBSPP 20 X FBSPP 20	5.115 129.9 mm	4.015 102.0 mm	3.088 78.4 mm	3.050 77.5 mm	2.000 50.8 mm	G 1 1/4-11 BSPP	G 1 1/4-11 BSPP	1.149 29.2 mm	275 4,000	0.984 25.0 mm
9 SS 24 MBSPP 24 X FBSPP 24	6.385 162.2 mm	5.115 129.9 mm	3.576 90.8 mm	3.240 82.3 mm	2.250 57.1 mm	G 1 1/2-11 BSPP	G 1 1/2-11 BSPP	1.366 34.7 mm	275 4,000	1.260 32.0 mm

ITEM DESCRIPTION

**Inline Female Pipe (N.P.T.F.)
X Female Pipe (N.P.T.F.) Page 14**

1090 - SS2FP12.5XFP12.5-Z-V
1091 - SS2FP12.5XFP12.5-Z-AL
1092 - N/A
1093 - SS2FP12.5XFP12.5-NI-V
1094 - SS2FP12.5XFP12.5-NI-AL
1095 - N/A

1000 - SS4FP25XFP25-Z-V
1001 - SS4FP25XFP25-Z-AL
1002 - SS4FP25XFP25-Z-PFA
1003 - SS4FP25XFP25-Ni-V
1004 - SS4FP25XFP25-Ni-AL
1005 - SS4FP25XFP25-Ni-PFA
1006 - SS4FP25XFP25-440-AL
1007 - SS4FP25XFP25-440-PFA

1010 - SS8FP38XFP38-Z-V
1011 - SS8FP38XFP38-Z-AL
1012 - SS8FP38XFP38-Z-PFA
1013 - SS8FP38XFP38-Ni-V
1014 - SS8FP38XFP38-Ni-AL
1015 - SS8FP38XFP38-Ni-PFA
1016 - SS8FP38XFP38-440-AL
1017 - SS8FP38XFP38-440-PFA

1020 - SS8FP50XFP50-Z-V
1021 - SS8FP50XFP50-Z-AL
1022 - SS8FP50XFP50-Z-PFA
1023 - SS8FP50XFP50-Ni-V
1024 - SS8FP50XFP50-Ni-AL
1025 - SS8FP50XFP50-Ni-PFA
1026 - SS8FP50XFP50-440-AL
1027 - SS8FP50XFP50-440-PFA

1030 - SS12FP75XFP75-Z-V
1031 - SS12FP75XFP75-Z-AL
1032 - SS12FP75XFP75-Z-PFA
1033 - SS12FP75XFP75-Ni-V
1034 - SS12FP75XFP75-Ni-AL
1035 - SS12FP75XFP75-Ni-PFA
1036 - SS12FP75XFP75-440-AL
1037 - SS12FP75XFP75-440-PFA

1040 - SS16FP100XFP100-Z-V
1041 - SS16FP100XFP100-Z-AL
1042 - SS16FP100XFP100-Z-PFA
1043 - SS16FP100XFP100-Ni-V
1044 - SS16FP100XFP100-Ni-AL
1045 - SS16FP100XFP100-Ni-PFA
1046 - SS16FP100XFP100-440-AL
1047 - SS16FP100XFP100-440-PFA

1050 - SS20FP125XFP125-Z-V
1051 - SS20FP125XFP125-Z-AL
1052 - SS20FP125XFP125-Z-PFA
1053 - SS20FP125XFP125-Ni-V
1054 - SS20FP125XFP125-Ni-AL
1055 - SS20FP125XFP125-Ni-PFA
1056 - SS20FP125XFP125-440-AL
1057 - SS20FP125XFP125-440-PFA

1063 - SS24FP150XFP150-Ni-V
1064 - SS24FP150XFP150-Ni-AL
1065 - SS24FP150XFP150-Ni-PFA
1066 - SS24FP150XFP150-440-AL
1067 - SS24FP150XFP150-440-PFA

1073 - SS32FP200XFP200-Ni-V
1074 - SS32FP200XFP200-Ni-AL
1075 - SS32FP200XFP200-Ni-PFA
1076 - SS32FP200XFP200-440-AL
1077 - SS32FP200XFP200-440-PFA

1083 - SS40FP250XFP250-Ni-V
1084 - SS40FP250XFP250-Ni-AL
1085 - SS40FP250XFP250-Ni-PFA

**Inline Male (J.I.C.)
X Female Pipe (N.P.T.F.) Page 15**

1100 - SS4MJ6XFP25-Z-V
1101 - SS4MJ6XFP25-Z-AL
1102 - SS4MJ6XFP25-Z-PFA
1103 - SS4MJ6XFP25-Ni-V

ITEM DESCRIPTION

1104 - SS4MJ6XFP25-Ni-AL
1105 - SS4MJ6XFP25-Ni-PFA

1110 - SS8MJ8XFP38-Z-V
1111 - SS8MJ8XFP38-Z-AL
1112 - SS8MJ8XFP38-Z-PFA
1113 - SS8MJ8XFP38-Ni-V
1114 - SS8MJ8XFP38-Ni-AL
1115 - SS8MJ8XFP38-Ni-PFA

1120 - SS8MJ8XFP50-Z-V
1121 - SS8MJ8XFP50-Z-AL
1122 - SS8MJ8XFP50-Z-PFA
1123 - SS8MJ8XFP50-Ni-V
1124 - SS8MJ8XFP50-Ni-AL
1125 - SS8MJ8XFP50-Ni-PFA

1130 - SS8MJ10XFP50-Z-V
1131 - SS8MJ10XFP50-Z-AL
1132 - SS8MJ10XFP50-Z-PFA
1133 - SS8MJ10XFP50-Ni-V
1134 - SS8MJ10XFP50-Ni-AL
1135 - SS8MJ10XFP50-Ni-PFA

1140 - SS12MJ12XFP75-Z-V
1141 - SS12MJ12XFP75-Z-AL
1142 - SS12MJ12XFP75-Z-PFA
1143 - SS12MJ12XFP75-Ni-V
1144 - SS12MJ12XFP75-Ni-AL
1145 - SS12MJ12XFP75-Ni-PFA

1150 - SS16MJ16XFP100-Z-V
1151 - SS16MJ16XFP100-Z-AL
1152 - SS16MJ16XFP100-Z-PFA
1153 - SS16MJ16XFP100-Ni-V
1154 - SS16MJ16XFP100-Ni-AL
1155 - SS16MJ16XFP100-Ni-PFA

1160 - SS20MJ20XFP125-Z-V
1161 - SS20MJ20XFP125-Z-AL
1162 - SS20MJ20XFP125-Z-PFA
1163 - SS20MJ20XFP125-Ni-V
1164 - SS20MJ20XFP125-Ni-AL
1165 - SS20MJ20XFP125-Ni-PFA

1173 - SS24MJ24XFP150-Ni-V
1174 - SS24MJ24XFP150-Ni-AL
1175 - SS24MJ24XFP150-Ni-PFA

**Inline Male Pipe (N.P.T.F.)
X Female Pipe (N.P.T.F.) Page 14**

1280 - SS2MP12.5XFP12.5-Z-V
1281 - SS2MP12.5XFP12.5-Z-AL
1282 - N/A
1283 - SS2MP12.5XFP12.5-Ni-V
1284 - SS2MP12.5XFP12.5-Ni-AL
1285 - N/A

1200 - SS4MP25XFP25-Z-V
1201 - SS4MP25XFP25-Z-AL
1202 - SS4MP25XFP25-Z-PFA
1203 - SS4MP25XFP25-Ni-V
1204 - SS4MP25XFP25-Ni-AL
1205 - SS4MP25XFP25-Ni-PFA
1206 - SS4MP25XFP25-440-AL
1207 - SS4MP25XFP25-440-PFA

1210 - SS8MP38XFP38-Z-V
1211 - SS8MP38XFP38-Z-AL
1212 - SS8MP38XFP38-Z-PFA
1213 - SS8MP38XFP38-Ni-V
1214 - SS8MP38XFP38-Ni-AL
1215 - SS8MP38XFP38-Ni-PFA
1216 - SS8MP38XFP38-440-AL
1217 - SS8MP38XFP38-440-PFA

1220 - SS8MP50XFP50-Z-V
1221 - SS8MP50XFP50-Z-AL
1222 - SS8MP50XFP50-Z-PFA
1223 - SS8MP50XFP50-Ni-V
1224 - SS8MP50XFP50-Ni-AL
1225 - SS8MP50XFP50-Ni-PFA
1226 - SS8MP50XFP50-440-AL
1227 - SS8MP50XFP50-440-PFA
1230 - SS12MP75XFP75-Z-V

ITEM DESCRIPTION

1231 - SS12MP75XFP75-Z-AL
1232 - SS12MP75XFP75-Z-PFA
1233 - SS12MP75XFP75-Ni-V

1234 - SS12MP75XFP75-Ni-AL
1235 - SS12MP75XFP75-Ni-PFA
1236 - SS12MP75XFP75-440-AL
1237 - SS12MP75XFP75-440-PFA

1240 - SS16MP100XFP100-Z-V
1241 - SS16MP100XFP100-Z-AL
1242 - SS16MP100XFP100-Z-PFA
1243 - SS16MP100XFP100-Ni-V
1244 - SS16MP100XFP100-Ni-AL
1245 - SS16MP100XFP100-Ni-PFA
1246 - SS16MP100XFP100-440-AL
1247 - SS16MP100XFP100-440-PFA

1250 - SS20MP125XFP125-Z-V
1251 - SS20MP125XFP125-Z-AL
1252 - SS20MP125XFP125-Z-PFA
1253 - SS20MP125XFP125-Ni-V
1254 - SS20MP125XFP125-Ni-AL
1255 - SS20MP125XFP125-Ni-PFA
1256 - SS20MP125XFP125-440-AL
1257 - SS20MP125XFP125-440-PFA

1263 - SS24MP150XFP150-Ni-V
1264 - SS24MP150XFP150-Ni-AL
1265 - SS24MP150XFP150-Ni-PFA
1266 - SS24MP150XFP150-440-AL
1267 - SS24MP150XFP150-440-PFA

1273 - SS32MP200XFP200-Ni-V
1274 - SS32MP200XFP200-Ni-AL
1275 - SS32MP200XFP200-Ni-PFA
1276 - SS32MP200XFP200-440-AL
1277 - SS32MP200XFP200-440-PFA

**Inline Male (J.I.C.)
X Female (J.I.C.) Page 15**

1370 - SS4MJ4XFJ4-Z-V
1371 - SS4MJ4XFJ4-Z-AL
1372 - SS4MJ4XFJ4-Z-PFA
1373 - SS4MJ4XFJ4-Ni-V
1374 - SS4MJ4XFJ4-Ni-AL
1375 - SS4MJ4XFJ4-Ni-PFA

1380 - SS4MJ5XFJ5-Z-V
1381 - SS4MJ5XFJ5-Z-AL
1382 - SS4MJ5XFJ5-Z-PFA
1383 - SS4MJ5XFJ5-Ni-V
1384 - SS4MJ5XFJ5-Ni-AL
1385 - SS4MJ5XFJ5-Ni-PFA

1300 - SS4MJ6XFJ6-Z-V
1301 - SS4MJ6XFJ6-Z-AL
1302 - SS4MJ6XFJ6-Z-PFA
1303 - SS4MJ6XFJ6-Ni-V
1304 - SS4MJ6XFJ6-Ni-AL
1305 - SS4MJ6XFJ6-Ni-PFA

1310 - SS8MJ8XFJ8-Z-V
1311 - SS8MJ8XFJ8-Z-AL
1312 - SS8MJ8XFJ8-Z-PFA
1313 - SS8MJ8XFJ8-Ni-V
1314 - SS8MJ8XFJ8-Ni-AL
1315 - SS8MJ8XFJ8-Ni-PFA

1320 - SS8MJ10XFJ10-Z-V
1321 - SS8MJ10XFJ10-Z-AL
1322 - SS8MJ10XFJ10-Z-PFA
1323 - SS8MJ10XFJ10-Ni-V
1324 - SS8MJ10XFJ10-Ni-AL
1325 - SS8MJ10XFJ10-Ni-PFA

1330 - SS12MJ12XFJ12-Z-V
1331 - SS12MJ12XFJ12-Z-AL
1332 - SS12MJ12XFJ12-Z-PFA
1333 - SS12MJ12XFJ12-Ni-V
1334 - SS12MJ12XFJ12-Ni-AL
1335 - SS12MJ12XFJ12-Ni-PFA

1340 - SS16MJ16XFJ16-Z-V
1341 - SS16MJ16XFJ16-Z-AL
1342 - SS16MJ16XFJ16-Z-PFA
1343 - SS16MJ16XFJ16-Ni-V
1344 - SS16MJ16XFJ16-Ni-AL
1345 - SS16MJ16XFJ16-Ni-PFA

ITEM DESCRIPTION

1350 - SS20MJ20XFJ20-Z-V
1351 - SS20MJ20XFJ20-Z-AL
1352 - SS20MJ20XFJ20-Z-PFA

1353 - SS20MJ20XFJ20-Ni-V
1354 - SS20MJ20XFJ20-Ni-AL
1355 - SS20MJ20XFJ20-Ni-PFA

1363 - SS24MJ24XFJ24-Ni-V
1364 - SS24MJ24XFJ24-Ni-AL
1365 - SS24MJ24XFJ24-Ni-PFA

**Inline Male (O.R.B.)
X Female Pipe (N.P.T.F.) Page 16**

1400 - SS4M06XFP25-Z-V
1401 - SS4M06XFP25-Z-AL
1402 - SS4M06XFP25-Z-PFA
1403 - SS4M06XFP25-Ni-V
1404 - SS4M06XFP25-Ni-AL
1405 - SS4M06XFP25-Ni-PFA

1410 - SS8M08XFP38-Z-V
1411 - SS8M08XFP38-Z-AL
1412 - SS8M08XFP38-Z-PFA
1413 - SS8M08XFP38-Ni-V
1414 - SS8M08XFP38-Ni-AL
1415 - SS8M08XFP38-Ni-PFA

1420 - SS8M10XFP38-Z-V
1421 - SS8M10XFP38-Z-AL
1422 - SS8M10XFP38-Z-PFA
1423 - SS8M10XFP38-Ni-V
1424 - SS8M10XFP38-Ni-AL
1425 - SS8M10XFP38-Ni-PFA

1430 - SS8M08XFP50-Z-V
1431 - SS8M08XFP50-Z-AL
1432 - SS8M08XFP50-Z-PFA
1433 - SS8M08XFP50-Ni-V
1434 - SS8M08XFP50-Ni-AL
1435 - SS8M08XFP50-Ni-PFA

1440 - SS8M10XFP50-Z-V
1441 - SS8M10XFP50-Z-AL
1442 - SS8M10XFP50-Z-PFA
1443 - SS8M10XFP50-Ni-V
1444 - SS8M10XFP50-Ni-AL
1445 - SS8M10XFP50-Ni-PFA

1450 - SS12M012XFP75-Z-V
1451 - SS12M012XFP75-Z-AL
1452 - SS12M012XFP75-Z-PFA
1453 - SS12M012XFP75-Ni-V
1454 - SS12M012XFP75-Ni-AL
1455 - SS12M012XFP75-Ni-PFA

1460 - SS16M016XFP100-Z-V
1461 - SS16M016XFP100-Z-AL
1462 - SS16M016XFP100-Z-PFA
1463 - SS16M016XFP100-Ni-V
1464 - SS16M016XFP100-Ni-AL
1465 - SS16M016XFP100-Ni-PFA

1470 - SS20M020XFP125-Z-V
1471 - SS20M020XFP125-Z-AL
1472 - SS20M020XFP125-Z-PFA
1473 - SS20M020XFP125-Ni-V
1474 - SS20M020XFP125-Ni-AL
1475 - SS20M020XFP125-Ni-PFA

1483 - SS24M024XFP150-Ni-V
1484 - SS24M024XFP150-Ni-AL
1485 - SS24M024XFP150-Ni-PFA

**Inline Male Bulkhead (J.I.C.)
X Female (J.I.C.) Page 16**

1510 - SS8MJB8XFJ8-Z-V
1511 - SS8MJB8XFJ8-Z-AL
1512 - SS8MJB8XFJ8-Z-PFA
1513 - SS8MJB8XFJ8-Ni-V
1514 - SS8MJB8XFJ8-Ni-AL
1515 - SS8MJB8XFJ8-Ni-PFA

1520 - SS8MJB10XFJ10-Z-V
1521 - SS8MJB10XFJ10-Z-AL
1522 - SS8MJB10XFJ10-Z-PFA
1523 - SS8MJB10XFJ10-Ni-V

ITEM DESCRIPTION

1524 - SS8MJB10XFJ10-Ni-AL
 1525 - SS8MJB10XFJ10-Ni-PFA

1530 - SS12MJB12XFJ12-Z-V
 1531 - SS12MJB12XFJ12-Z-AL
 1532 - SS12MJB12XFJ12-Z-PFA
 1533 - SS12MJB12XFJ12-Ni-V
 1534 - SS12MJB12XFJ12-Ni-AL
 1535 - SS12MJB12XFJ12-Ni-PFA

1540 - SS16MJB16XFJ16-Z-V
 1541 - SS16MJB16XFJ16-Z-AL
 1542 - SS16MJB16XFJ16-Z-PFA
 1543 - SS16MJB16XFJ16-Ni-V
 1544 - SS16MJB16XFJ16-Ni-AL
 1545 - SS16MJB16XFJ16-Ni-PFA

1550 - SS20MJB20XFJ20-Z-V
 1551 - SS20MJB20XFJ20-Z-AL
 1552 - SS20MJB20XFJ20-Z-PFA
 1553 - SS20MJB20XFJ20-Ni-V
 1554 - SS20MJB20XFJ20-Ni-AL
 1555 - SS20MJB20XFJ20-Ni-PFA

**Inline Male Bulkhead (J.I.C.)
 X Male (J.I.C.) Page 17**

1610 - SS8MJB8XMJ8-Z-V
 1611 - SS8MJB8XMJ8-Z-AL
 1612 - SS8MJB8XMJ8-Z-PFA
 1613 - SS8MJB8XMJ8-Ni-V
 1614 - SS8MJB8XMJ8-Ni-AL
 1615 - SS8MJB8XMJ8-Ni-PFA

1620 - SS8MJB10XMJ10-Z-V
 1621 - SS8MJB10XMJ10-Z-AL
 1622 - SS8MJB10XMJ10-Z-PFA
 1623 - SS8MJB10XMJ10-Ni-V
 1624 - SS8MJB10XMJ10-Ni-AL
 1625 - SS8MJB10XMJ10-Ni-PFA

1630 - SS12MJB12XMJ12-Z-V
 1631 - SS12MJB12XMJ12-Z-AL
 1632 - SS12MJB12XMJ12-Z-PFA
 1633 - SS12MJB12XMJ12-Ni-V
 1634 - SS12MJB12XMJ12-Ni-AL
 1635 - SS12MJB12XMJ12-Ni-PFA

1640 - SS16MJB16XMJ16-Z-V
 1641 - SS16MJB16XMJ16-Z-AL
 1642 - SS16MJB16XMJ16-Z-PFA
 1643 - SS16MJB16XMJ16-Ni-V
 1644 - SS16MJB16XMJ16-Ni-AL
 1645 - SS16MJB16XMJ16-Ni-PFA

1650 - SS20MJB20XMJ20-Z-V
 1651 - SS20MJB20XMJ20-Z-AL
 1652 - SS20MJB20XMJ20-Z-PFA
 1653 - SS20MJB20XMJ20-Ni-V
 1654 - SS20MJB20XMJ20-Ni-AL
 1655 - SS20MJB20XMJ20-Ni-PFA

**Inline Male (O.R.B.)
 X Male (J.I.C.) Page 17**

1780 - SS4MO4XMJ4-Z-V
 1781 - SS4MO4XMJ4-Z-AL
 1782 - SS4MO4XMJ4-Z-PFA
 1783 - SS4MO4XMJ4-Ni-V
 1784 - SS4MO4XMJ4-Ni-AL
 1785 - SS4MO4XMJ4-Ni-PFA

1700 - SS4MO6XMJ6-Z-V
 1701 - SS4MO6XMJ6-Z-AL
 1702 - SS4MO6XMJ6-Z-PFA
 1703 - SS4MO6XMJ6-Ni-V
 1704 - SS4MO6XMJ6-Ni-AL
 1705 - SS4MO6XMJ6-Ni-PFA

1710 - SS8MO8XMJ8-Z-V
 1711 - SS8MO8XMJ8-Z-AL
 1712 - SS8MO8XMJ8-Z-PFA
 1713 - SS8MO8XMJ8-Ni-V
 1714 - SS8MO8XMJ8-Ni-AL
 1715 - SS8MO8XMJ8-Ni-PFA

ITEM DESCRIPTION

1720 - SS8MO8XMJ10-Z-V
 1721 - SS8MO8XMJ10-Z-AL
 1722 - SS8MO8XMJ10-Z-PFA
 1723 - SS8MO8XMJ10-Ni-V
 1724 - SS8MO8XMJ10-Ni-AL
 1725 - SS8MO8XMJ10-Ni-PFA

1730 - SS8MO10XMJ8-Z-V
 1731 - SS8MO10XMJ8-Z-AL
 1732 - SS8MO10XMJ8-Z-PFA
 1733 - SS8MO10XMJ8-Ni-V
 1734 - SS8MO10XMJ8-Ni-AL
 1735 - SS8MO10XMJ8-Ni-PFA

1740 - SS8MO10XMJ10-Z-V
 1741 - SS8MO10XMJ10-Z-AL
 1742 - SS8MO10XMJ10-Z-PFA
 1743 - SS8MO10XMJ10-Ni-V
 1744 - SS8MO10XMJ10-Ni-AL
 1745 - SS8MO10XMJ10-Ni-PFA

1750 - SS12MO12XMJ12-Z-V
 1751 - SS12MO12XMJ12-Z-AL
 1752 - SS12MO12XMJ12-Z-PFA
 1753 - SS12MO12XMJ12-Ni-V
 1754 - SS12MO12XMJ12-Ni-AL
 1755 - SS12MO12XMJ12-Ni-PFA

1760 - SS16MO16XMJ16-Z-V
 1761 - SS16MO16XMJ16-Z-AL
 1762 - SS16MO16XMJ16-Z-PFA
 1763 - SS16MO16XMJ16-Ni-V
 1764 - SS16MO16XMJ16-Ni-AL
 1765 - SS16MO16XMJ16-Ni-PFA

1770 - SS20MO20XMJ20-Z-V
 1771 - SS20MO20XMJ20-Z-AL
 1772 - SS20MO20XMJ20-Z-PFA
 1773 - SS20MO20XMJ20-Ni-V
 1774 - SS20MO20XMJ20-Ni-AL
 1775 - SS20MO20XMJ20-Ni-PFA

**Inline Male Pipe (N.P.T.F.)
 X Male (J.I.C.) Page 18**

1800 - SS4MP25XMJ6-Z-V
 1801 - SS4MP25XMJ6-Z-AL
 1802 - SS4MP25XMJ6-Z-PFA
 1803 - SS4MP25XMJ6-Ni-V
 1804 - SS4MP25XMJ6-Ni-AL
 1805 - SS4MP25XMJ6-Ni-PFA

1880 - SS4MP38XMJ6-Z-V
 1881 - SS4MP38XMJ6-Z-AL
 1882 - SS4MP38XMJ6-Z-PFA
 1883 - SS4MP38XMJ6-Ni-V
 1884 - SS4MP38XMJ6-Ni-AL
 1885 - SS4MP38XMJ6-Ni-PFA

1810 - SS8MP38XMJ8-Z-V
 1811 - SS8MP38XMJ8-Z-AL
 1812 - SS8MP38XMJ8-Z-PFA
 1813 - SS8MP38XMJ8-Ni-V
 1814 - SS8MP38XMJ8-Ni-AL
 1815 - SS8MP38XMJ8-Ni-PFA

1820 - SS8MP38XMJ10-Z-V
 1821 - SS8MP38XMJ10-Z-AL
 1822 - SS8MP38XMJ10-Z-PFA
 1823 - SS8MP38XMJ10-Ni-V
 1824 - SS8MP38XMJ10-Ni-AL
 1825 - SS8MP38XMJ10-Ni-PFA

1830 - SS8MP50XMJ8-Z-V
 1831 - SS8MP50XMJ8-Z-AL
 1832 - SS8MP50XMJ8-Z-PFA
 1833 - SS8MP50XMJ8-Ni-V
 1834 - SS8MP50XMJ8-Ni-AL
 1835 - SS8MP50XMJ8-Ni-PFA

1840 - SS8MP50XMJ10-Z-V
 1841 - SS8MP50XMJ10-Z-AL
 1842 - SS8MP50XMJ10-Z-PFA
 1843 - SS8MP50XMJ10-Ni-V
 1844 - SS8MP50XMJ10-Ni-AL
 1845 - SS8MP50XMJ10-Ni-PFA

ITEM DESCRIPTION

1850 - SS12MP75XMJ12-Z-V
 1851 - SS12MP75XMJ12-Z-AL
 1852 - SS12MP75XMJ12-Z-PFA
 1853 - SS12MP75XMJ12-Ni-V
 1854 - SS12MP75XMJ12-Ni-AL
 1855 - SS12MP75XMJ12-Ni-PFA

1860 - SS16MP100XMJ16-Z-V
 1861 - SS16MP100XMJ16-Z-AL
 1862 - SS16MP100XMJ16-Z-PFA

1863 - SS16MP100XMJ16-Ni-V
 1864 - SS16MP100XMJ16-Ni-AL
 1865 - SS16MP100XMJ16-Ni-PFA

1870 - SS20MP125XMJ20-Z-V
 1871 - SS20MP125XMJ20-Z-AL
 1872 - SS20MP125XMJ20-Z-PFA
 1873 - SS20MP125XMJ20-Ni-V
 1874 - SS20MP125XMJ20-Ni-AL
 1875 - SS20MP125XMJ20-Ni-PFA

1960 - SS4MJ4XMJ4-Z-V
 1961 - SS4MJ4XMJ4-Z-AL
 1962 - SS4MJ4XMJ4-Z-PFA
 1963 - SS4MJ4XMJ4-Ni-V
 1964 - SS4MJ4XMJ4-Ni-AL
 1965 - SS4MJ4XMJ4-Ni-PFA

1900 - SS4MJ6XMJ6-Z-V
 1901 - SS4MJ6XMJ6-Z-AL
 1902 - SS4MJ6XMJ6-Z-PFA
 1903 - SS4MJ6XMJ6-Ni-V
 1904 - SS4MJ6XMJ6-Ni-AL
 1905 - SS4MJ6XMJ6-Ni-PFA

1910 - SS8MJ8XMJ8-Z-V
 1911 - SS8MJ8XMJ8-Z-AL
 1912 - SS8MJ8XMJ8-Z-PFA
 1913 - SS8MJ8XMJ8-Ni-V
 1914 - SS8MJ8XMJ8-Ni-AL
 1915 - SS8MJ8XMJ8-Ni-PFA

1920 - SS8MJ10XMJ10-Z-V
 1921 - SS8MJ10XMJ10-Z-AL
 1922 - SS8MJ10XMJ10-Z-PFA
 1923 - SS8MJ10XMJ10-Ni-V
 1924 - SS8MJ10XMJ10-Ni-AL
 1925 - SS8MJ10XMJ10-Ni-PFA

1930 - SS12MJ12XMJ12-Z-V
 1931 - SS12MJ12XMJ12-Z-AL
 1932 - SS12MJ12XMJ12-Z-PFA
 1933 - SS12MJ12XMJ12-Ni-V
 1934 - SS12MJ12XMJ12-Ni-AL
 1935 - SS12MJ12XMJ12-Ni-PFA

1940 - SS16MJ16XMJ16-Z-V
 1941 - SS16MJ16XMJ16-Z-AL
 1942 - SS16MJ16XMJ16-Z-PFA
 1943 - SS16MJ16XMJ16-Ni-V
 1944 - SS16MJ16XMJ16-Ni-AL
 1945 - SS16MJ16XMJ16-Ni-PFA

1950 - SS20MJ20XMJ20-Z-V
 1951 - SS20MJ20XMJ20-Z-AL
 1952 - SS20MJ20XMJ20-Z-PFA
 1953 - SS20MJ20XMJ20-Ni-V
 1954 - SS20MJ20XMJ20-Ni-AL
 1955 - SS20MJ20XMJ20-Ni-PFA

2000 - SS4MO6XFJ6-Z-V
 2001 - SS4MO6XFJ6-Z-AL
 2002 - SS4MO6XFJ6-Z-PFA
 2003 - SS4MO6XFJ6-Ni-V
 2004 - SS4MO6XFJ6-Ni-AL
 2005 - SS4MO6XFJ6-Ni-PFA

2010 - SS8MO8XFJ8-Z-V
 2011 - SS8MO8XFJ8-Z-AL
 2012 - SS8MO8XFJ8-Z-PFA

ITEM DESCRIPTION

2013 - SS8MO8XFJ8-Ni-V
 2014 - SS8MO8XFJ8-Ni-AL
 2015 - SS8MO8XFJ8-Ni-PFA

2020 - SS8MO10XFJ10-Z-V
 2021 - SS8MO10XFJ10-Z-AL
 2022 - SS8MO10XFJ10-Z-PFA
 2023 - SS8MO10XFJ10-Ni-V
 2024 - SS8MO10XFJ10-Ni-AL
 2025 - SS8MO10XFJ10-Ni-PFA

2030 - SS12MO12XFJ12-Z-V
 2031 - SS12MO12XFJ12-Z-AL
 2032 - SS12MO12XFJ12-Z-PFA
 2033 - SS12MO12XFJ12-Ni-V

2034 - SS12MO12XFJ12-Ni-AL
 2035 - SS12MO12XFJ12-Ni-PFA

2040 - SS16MO16XFJ16-Z-V
 2041 - SS16MO16XFJ16-Z-AL
 2042 - SS16MO16XFJ16-Z-PFA
 2043 - SS16MO16XFJ16-Ni-V
 2044 - SS16MO16XFJ16-Ni-AL
 2045 - SS16MO16XFJ16-Ni-PFA

2050 - SS20MO20XFJ20-Z-V
 2051 - SS20MO20XFJ20-Z-AL
 2052 - SS20MO20XFJ20-Z-PFA
 2053 - SS20MO20XFJ20-Ni-V
 2054 - SS20MO20XFJ20-Ni-AL
 2055 - SS20MO20XFJ20-Ni-PFA

2063 - SS24MO24XFJ24-Ni-V
 2064 - SS24MO24XFJ24-Ni-AL
 2065 - SS24MO24XFJ24-Ni-PFA

2123 - SS8HPFF50XFP50-Ni-V
 2124 - SS8HPFF50XFP50-Ni-AL

2223 - SS8HPMP50XFP50-Ni-V
 2224 - SS8HPMP50XFP50-Ni-AL

2300 - SS4FFS6XMFS6-Z-V
 2301 - SS4FFS6XMFS6-Z-AL
 2302 - SS4FFS6XMFS6-Z-PFA
 2303 - SS4FFS6XMFS6-Ni-V
 2304 - SS4FFS6XMFS6-Ni-AL
 2305 - SS4FFS6XMFS6-Ni-PFA

2310 - SS8FFS8XMFS8-Z-V
 2311 - SS8FFS8XMFS8-Z-AL
 2312 - SS8FFS8XMFS8-Z-PFA
 2313 - SS8FFS8XMFS8-Ni-V
 2314 - SS8FFS8XMFS8-Ni-AL
 2315 - SS8FFS8XMFS8-Ni-PFA

2320 - SS8FFS10XMFS10-Z-V
 2321 - SS8FFS10XMFS10-Z-AL
 2322 - SS8FFS10XMFS10-Z-PFA
 2323 - SS8FFS10XMFS10-Ni-V
 2324 - SS8FFS10XMFS10-Ni-AL
 2325 - SS8FFS10XMFS10-Ni-PFA

2330 - SS12FFS12XMFS12-Z-V
 2331 - SS12FFS12XMFS12-Z-AL
 2332 - SS12FFS12XMFS12-Z-PFA
 2333 - SS12FFS12XMFS12-Ni-V
 2334 - SS12FFS12XMFS12-Ni-AL
 2335 - SS12FFS12XMFS12-Ni-PFA

**Inline Male (J.I.C.)
 X Male (J.I.C.) Page 18**

**Inline (H.P.) Female Pipe
 X Female Pipe (N.P.T.F.) Page 22**

**Inline (H.P.) Male Pipe
 X Female Pipe (N.P.T.F.) Page 22**

**Inline Female Face Seal (F.F.S.)
 X Male Face Seal (M.F.S.) Page 19**

**Inline Male (O.R.B.)
 X Female (J.I.C.) Page 19**

ITEM DESCRIPTION

2350 - SS20FFS20XMFS20-Z-V
 2351 - SS20FFS20XMFS20-Z-AL
 2352 - SS20FFS20XMFS20-Z-PFA
 2353 - SS20FFS20XMFS20-NI-V
 2354 - SS20FFS20XMFS20-NI-AL
 2355 - SS20FFS20XMFS20-NI-PFA

2363 - SS24FFS24XMFS24-NI-V
 2364 - SS24FFS24XMFS24-NI-AL
 2365 - SS24FFS24XMFS24-NI-PFA

**Inline Male Face Seal (M.F.S.)
 X Male Face Seal (M.F.S.) Page 20**

2400 - SS4MFS6XMFS6-Z-V
 2401 - SS4MFS6XMFS6-Z-AL
 2402 - SS4MFS5XMFS6-Z-PFA
 2403 - SS4MFS6XMFS6-NI-V
 2404 - SS4MFS6XMFS6-NI-AL
 2405 - SS4MFS6XMFS6-NI-PFA

2410 - SS8MFS8XMFS8-Z-V
 2411 - SS8MFS8XMFS8-Z-AL
 2412 - SS8MFS8XMFS8-Z-PFA
 2413 - SS8MFS8XMFS8-NI-V
 2414 - SS8MFS8XMFS8-NI-AL
 2415 - SS8MFS8XMFS8-NI-PFA

2420 - SS8MFS10XMFS10-Z-V
 2421 - SS8MFS10XMFS10-Z-AL
 2422 - SS8MFS10XMFS10-Z-PFA
 2423 - SS8MFS10XMFS10-NI-V
 2424 - SS8MFS10XMFS10-NI-AL
 2425 - SS8MFS10XMFS10-NI-PFA

2430 - SS12MFS12XMFS12-Z-V
 2431 - SS12MFS12XMFS12-Z-AL
 2432 - SS12MFS12XMFS12-Z-PFA
 2433 - SS12MFS12XMFS12-NI-V
 2434 - SS12MFS12XMFS12-NI-AL
 2435 - SS12MFS12XMFS12-NI-PFA

2440 - SS16MFS16XMFS16-Z-V
 2441 - SS16MFS16XMFS16-Z-AL
 2442 - SS16MFS16XMFS16-Z-PFA
 2443 - SS16MFS16XMFS16-NI-V
 2444 - SS16MFS16XMFS16-NI-AL
 2445 - SS16MFS16XMFS16-NI-PFA

2450 - SS20MFS20XMFS20-Z-V
 2451 - SS20MFS20XMFS20-Z-AL
 2452 - SS20MFS20XMFS20-Z-PFA
 2453 - SS20MFS20XMFS20-NI-V
 2454 - SS20MFS20XMFS20-NI-AL
 2455 - SS20MFS20XMFS20-NI-PFA

2463 - SS24MFS24XMFS24-NI-V
 2464 - SS24MFS24XMFS24-NI-AL
 2465 - SS24MFS24XMFS24-NI-PFA

**Inline Male (O.R.B.)
 X Male Face Seal (M.F.S.) Page 20**

2500 - SS4MO6XMFS6-Z-V
 2501 - SS4MO6XMFS6-Z-AL
 2502 - SS4MO6XMFS6-Z-PFA
 2503 - SS4MO6XMFS6-NI-V
 2504 - SS4MO6XMFS6-NI-AL
 2505 - SS4MO6XMFS6-NI-PFA

2510 - SS8MO8XMFS8-Z-V
 2511 - SS8MO8XMFS8-Z-AL
 2512 - SS8MO8XMFS8-Z-PFA
 2513 - SS8MO8XMFS8-NI-V
 2514 - SS8MO8XMFS8-NI-AL
 2515 - SS8MO8XMFS8-NI-PFA

2520 - SS8MO10XMFS10-Z-V
 2521 - SS8MO10XMFS10-Z-AL
 2522 - SS8MO10XMFS10-Z-PFA
 2523 - SS8MO10XMFS10-NI-V
 2524 - SS8MO10XMFS10-NI-AL
 2525 - SS8MO10XMFS10-NI-PFA
 2530 - SS12MO12XMFS12-Z-V
 2531 - SS12MO12XMFS12-Z-AL
 2532 - SS12MO12XMFS12-Z-PFA
 2533 - SS12MO12XMFS12-NI-V

ITEM DESCRIPTION

2534 - SS12MO12XMFS12-NI-AL
 2535 - SS12MO12XMFS12-NI-PFA

2540 - SS16MO16XMFS16-Z-V
 2541 - SS16MO16XMFS16-Z-AL
 2542 - SS16MO16XMFS16-Z-PFA

2543 - SS16MO16XMFS16-NI-V
 2544 - SS16MO16XMFS16-NI-AL
 2545 - SS16MO16XMFS16-NI-PFA

2550 - SS20MO20XMFS20-Z-V
 2551 - SS20MO20XMFS20-Z-AL
 2552 - SS20MO20XMFS20-Z-PFA
 2553 - SS20MO20XMFS20-NI-V
 2554 - SS20MO20XMFS20-NI-AL
 2555 - SS20MO20XMFS20-NI-PFA

2563 - SS24MO24XMFS24-NI-V
 2564 - SS24MO24XMFS24-NI-AL
 2565 - SS24MO24XMFS24-NI-PFA

**Inline
 Male Face Seal Bulkhead (M.F.S.B.)
 X Male Face Seal (M.F.S.) Page 21**

2600 - SS4MFSB6XMFS6-Z-V
 2601 - SS4MFSB6XMFS6-Z-AL
 2602 - SS4MFSB6XMFS6-Z-PFA
 2603 - SS4MFSB6XMFS6-NI-V
 2604 - SS4MFSB6XMFS6-NI-AL
 2605 - SS4MFSB6XMFS6-NI-PFA

2610 - SS8MFSB8XMFS8-Z-V
 2611 - SS8MFSB8XMFS8-Z-AL
 2612 - SS8MFSB8XMFS8-Z-PFA
 2613 - SS8MFSB8XMFS8-NI-V
 2614 - SS8MFSB8XMFS8-NI-AL
 2615 - SS8MFSB8XMFS8-NI-PFA

2620 - SS8MFSB10XMFS10-Z-V
 2621 - SS8MFSB10XMFS10-Z-AL
 2622 - SS8MFSB10XMFS10-Z-PFA
 2623 - SS8MFSB10XMFS10-NI-V
 2624 - SS8MFSB10XMFS10-NI-AL
 2625 - SS8MFSB10XMFS10-NI-PFA

2630 - SS12MFSB12XMFS12-Z-V
 2631 - SS12MFSB12XMFS12-Z-AL
 2632 - SS12MFSB12XMFS12-Z-PFA
 2633 - SS12MFSB12XMFS12-NI-V
 2634 - SS12MFSB12XMFS12-NI-AL
 2635 - SS12MFSB12XMFS12-NI-PFA

2640 - SS16MFSB16XMFS16-Z-V
 2641 - SS16MFSB16XMFS16-Z-AL
 2642 - SS16MFSB16XMFS16-Z-PFA
 2643 - SS16MFSB16XMFS16-NI-V
 2644 - SS16MFSB16XMFS16-NI-AL
 2645 - SS16MFSB16XMFS16-NI-PFA

2650 - SS20MFSB20XMFS20-Z-V
 2651 - SS20MFSB20XMFS20-Z-AL
 2652 - SS20MFSB20XMFS20-Z-PFA

Rebuilding Kits

3690 - SS-2-KIT-VITON

3600 - SS-4-KIT-VITON
 3601 - SS-4-KIT-AFLAS
 3602 - SS-4-KIT-PFA

3680 - SS-7-KIT-VITON
 3681 - SS-7-KIT-AFLAS
 3682 - SS-7-KIT-PFA

3610 - SS-8-KIT-VITON
 3611 - SS-8-KIT-AFLAS
 3612 - SS-8-KIT-PFA

3615 - SS-8-HP-KIT-VITON
 3616 - SS-8-HP-KIT-AFLAS

3620 - SS-12-KIT-VITON
 3621 - SS-12-KIT-AFLAS
 3622 - SS-12-KIT-PFA

ITEM DESCRIPTION

3630 - SS-16-KIT-VITON
 3631 - SS-16-KIT-AFLAS
 3632 - SS-16-KIT-PFA

3640 - SS-20-KIT-VITON
 3641 - SS-20-KIT-AFLAS
 3642 - SS-20-KIT-PFA

3650 - SS-24-KIT-VITON
 3651 - SS-24-KIT-AFLAS
 3652 - SS-24-KIT-PFA

3660 - SS-32-KIT-VITON
 3661 - SS-32-KIT-AFLAS
 3662 - SS-32-KIT-PFA

3670 - SS-40-KIT-VITON
 3671 - SS-40-KIT-AFLAS
 3672 - SS-40-KIT-PFA

**90° Female Pipe (N.P.T.F.)
 x Female Pipe (N.P.T.F.) Page 24**

5080 - 9SS2FP12.5XFP12.5-Z-V
 5081 - 9SS2FP12.5XFP12.5-Z-AL
 5082 - N/A
 5083 - 9SS2FP12.5XFP12.5-NI-V
 5084 - 9SS2FP12.5XFP12.5-NI-AL
 5085 - N/A

5000 - 9SS4FP25XFP25-Z-V
 5001 - 9SS4FP25XFP25-Z-AL
 5002 - 9SS4FP25XFP25-Z-PFA
 5003 - 9SS4FP25XFP25-NI-V
 5004 - 9SS4FP25XFP25-NI-AL
 5005 - 9SS4FP25XFP25-NI-PFA
 5006 - 9SS4FP25XFP25-440-AL
 5007 - 9SS4FP25XFP25-440-PFA

5010 - 9SS8FP38XFP38-Z-V
 5011 - 9SS8FP38XFP38-Z-AL
 5012 - 9SS8FP38XFP38-Z-PFA
 5013 - 9SS8FP38XFP38-NI-V
 5014 - 9SS8FP38XFP38-NI-AL
 5015 - 9SS8FP38XFP38-NI-PFA
 5016 - 9SS8FP38XFP38-440-AL
 5017 - 9SS8FP38XFP38-440-PFA

5020 - 9SS8FP50XFP50-Z-V
 5021 - 9SS8FP50XFP50-Z-AL
 5022 - 9SS8FP50XFP50-Z-PFA
 5023 - 9SS8FP50XFP50-NI-V
 5024 - 9SS8FP50XFP50-NI-AL
 5025 - 9SS8FP50XFP50-NI-PFA
 5026 - 9SS8FP50XFP50-440-AL
 5027 - 9SS8FP50XFP50-440-PFA

5030 - 9SS12FP75XFP75-Z-V
 5031 - 9SS12FP75XFP75-Z-AL
 5032 - 9SS12FP75XFP75-Z-PFA
 5033 - 9SS12FP75XFP75-NI-V
 5034 - 9SS12FP75XFP75-NI-AL
 5035 - 9SS12FP75XFP75-NI-PFA
 5036 - 9SS12FP75XFP75-440-AL
 5037 - 9SS12FP75XFP75-440-PFA

5040 - 9SS16FP100XFP100-Z-V
 5041 - 9SS16FP100XFP100-Z-AL
 5042 - 9SS16FP100XFP100-Z-PFA
 5043 - 9SS16FP100XFP100-NI-V
 5044 - 9SS16FP100XFP100-NI-AL
 5045 - 9SS16FP100XFP100-NI-PFA
 5046 - 9SS16FP100XFP100-440-AL
 5047 - 9SS16FP100XFP100-440-PFA

5050 - 9SS20FP125XFP125-Z-V
 5051 - 9SS20FP125XFP125-Z-AL
 5052 - 9SS20FP125XFP125-Z-PFA
 5053 - 9SS20FP125XFP125-NI-V
 5054 - 9SS20FP125XFP125-NI-AL
 5055 - 9SS20FP125XFP125-NI-PFA
 5056 - 9SS20FP125XFP125-440-AL
 5057 - 9SS20FP125XFP125-440-PFA

5063 - 9SS24FP150XFP150-NI-V
 5064 - 9SS24FP150XFP150-NI-AL

ITEM DESCRIPTION

5065 - 9SS24FP150XFP150-NI-PFA
 5066 - 9SS24FP150XFP150-440-AL
 5067 - 9SS24FP150XFP150-440-PFA

5073 - 9SS32FP200XFP200-NI-V
 5074 - 9SS32FP200XFP200-NI-AL
 5075 - 9SS32FP200XFP200-NI-PFA
 5076 - 9SS32FP200XFP200-440-AL
 5077 - 9SS32FP200XFP200-440-PFA

**90° Male Pipe (N.P.T.F.)
 x Female Pipe (N.P.T.F.) Page 24**

21081 - 9SS2MP12.5XFP12.5-Z-V
 21084 - 9SS2MP12.5XFP12.5-Z-AL
 21090 - 9SS2MP12.5XFP12.5-NI-V
 21091 - 9SS2MP12.5XFP12.5-NI-AL

5100 - 9SS4MP25XFP25-Z-V
 5101 - 9SS4MP25XFP25-Z-AL
 5102 - 9SS4MP25XFP25-Z-PFA
 5103 - 9SS4MP25XFP25-NI-V
 5104 - 9SS4MP25XFP25-NI-AL
 5105 - 9SS4MP25XFP25-NI-PFA
 5106 - 9SS4MP25XFP25-440-AL
 5107 - 9SS4MP25XFP25-440-PFA

5180 - 9SS4MP38XFP25-Z-V
 5181 - 9SS4MP38XFP25-Z-AL
 5182 - 9SS4MP38XFP25-Z-PFA
 5183 - 9SS4MP38XFP25-NI-V
 5184 - 9SS4MP38XFP25-NI-AL
 5185 - 9SS4MP38XFP25-NI-PFA

5190 - 9SS7MP38XFP38-Z-V
 5191 - 9SS7MP38XFP38-Z-AL
 5192 - 9SS7MP38XFP38-Z-PFA
 5193 - 9SS7MP38XFP38-NI-V
 5194 - 9SS7MP38XFP38-NI-AL
 5195 - 9SS7MP38XFP38-NI-PFA

5110 - 9SS8MP38XFP38-Z-V
 5111 - 9SS8MP38XFP38-Z-AL
 5112 - 9SS8MP38XFP38-Z-PFA
 5113 - 9SS8MP38XFP38-NI-V
 5114 - 9SS8MP38XFP38-NI-AL
 5115 - 9SS8MP38XFP38-NI-PFA
 5116 - 9SS8MP38XFP38-440-AL
 5117 - 9SS8MP38XFP38-440-PFA

5120 - 9SS8MP50XFP50-Z-V
 5121 - 9SS8MP50XFP50-Z-AL
 5122 - 9SS8MP50XFP50-Z-PFA
 5123 - 9SS8MP50XFP50-NI-V
 5124 - 9SS8MP50XFP50-NI-AL
 5125 - 9SS8MP50XFP50-NI-PFA
 5126 - 9SS8MP50XFP50-440-AL
 5127 - 9SS8MP50XFP50-440-PFA

5130 - 9SS12MP75XFP75-Z-V
 5131 - 9SS12MP75XFP75-Z-AL
 5132 - 9SS12MP75XFP75-Z-PFA
 5133 - 9SS12MP75XFP75-NI-V
 5134 - 9SS12MP75XFP75-NI-AL
 5135 - 9SS12MP75XFP75-NI-PFA
 5136 - 9SS12MP75XFP75-440-AL
 5137 - 9SS12MP75XFP75-440-PFA

5140 - 9SS16MP100XFP100-Z-V
 5141 - 9SS16MP100XFP100-Z-AL
 5142 - 9SS16MP100XFP100-Z-PFA
 5143 - 9SS16MP100XFP100-NI-V
 5144 - 9SS16MP100XFP100-NI-AL
 5145 - 9SS16MP100XFP100-NI-PFA
 5146 - 9SS16MP100XFP100-440-AL
 5147 - 9SS16MP100XFP100-440-PFA

5150 - 9SS20MP125XFP125-Z-V
 5151 - 9SS20MP125XFP125-Z-AL
 5152 - 9SS20MP125XFP125-Z-PFA
 5153 - 9SS20MP125XFP125-NI-V
 5154 - 9SS20MP125XFP125-NI-AL
 5155 - 9SS20MP125XFP125-NI-PFA
 5156 - 9SS20MP125XFP125-440-AL
 5157 - 9SS20MP125XFP125-440-PFA

ITEM DESCRIPTION

5163 - 9SS24MP150XFP150-Ni-V
 5164 - 9SS24MP150XFP150-Ni-AL
 5165 - 9SS24MP150XFP150-Ni-PFA
 5166 - 9SS24MP150XFP150-440-AL
 5167 - 9SS24MP150XFP150-440-PFA

5173 - 9SS32MP200XFP200-Ni-V
 5174 - 9SS32MP200XFP200-Ni-AL
 5175 - 9SS32MP200XFP200-Ni-PFA
 5176 - 9SS32MP200XFP200-440-AL
 5177 - 9SS32MP200XFP200-440-PFA

**90° Male (J.I.C.)
 X Female (O.R.B.) Page 28**

5260 - 9SS4MJ4XFO6-Z-V
 5261 - 9SS4MJ4XFO6-Z-AL
 5262 - 9SS4MJ4XFO6-Z-PFA
 5263 - 9SS4MJ4XFO6-Ni-V
 5264 - 9SS4MJ4XFO6-Ni-AL
 5265 - 9SS4MJ4XFO6-Ni-PFA

5200 - 9SS4MJ6XFO6-Z-V
 5201 - 9SS4MJ6XFO6-Z-AL
 5202 - 9SS4MJ6XFO6-Z-PFA
 5203 - 9SS4MJ6XFO6-Ni-V
 5204 - 9SS4MJ6XFO6-Ni-AL
 5205 - 9SS4MJ6XFO6-Ni-PFA

5210 - 9SS8MJ8XFO8-Z-V
 5211 - 9SS8MJ8XFO8-Z-AL
 5212 - 9SS8MJ8XFO8-Z-PFA
 5213 - 9SS8MJ8XFO8-Ni-V
 5214 - 9SS8MJ8XFO8-Ni-AL
 5215 - 9SS8MJ8XFO8-Ni-PFA

5220 - 9SS8MJ10XFO8-Z-V
 5221 - 9SS8MJ10XFO8-Z-AL
 5222 - 9SS8MJ10XFO8-Z-PFA
 5223 - 9SS8MJ10XFO8-Ni-V
 5224 - 9SS8MJ10XFO8-Ni-AL
 5225 - 9SS8MJ10XFO8-Ni-PFA

5230 - 9SS12MJ12XFO12-Z-V
 5231 - 9SS12MJ12XFO12-Z-AL
 5232 - 9SS12MJ12XFO12-Z-PFA
 5233 - 9SS12MJ12XFO12-Ni-V
 5234 - 9SS12MJ12XFO12-Ni-AL
 5235 - 9SS12MJ12XFO12-Ni-PFA

5240 - 9SS16MJ16XFO16-Z-V
 5241 - 9SS16MJ16XFO16-Z-AL
 5242 - 9SS16MJ16XFO16-Z-PFA
 5243 - 9SS16MJ16XFO16-Ni-V
 5244 - 9SS16MJ16XFO16-Ni-AL
 5245 - 9SS16MJ16XFO16-Ni-PFA

5250 - 9SS20MJ20XFO20-Z-V
 5251 - 9SS20MJ20XFO20-Z-AL
 5252 - 9SS20MJ20XFO20-Z-PFA
 5253 - 9SS20MJ20XFO20-Ni-V
 5254 - 9SS20MJ20XFO20-Ni-AL
 5255 - 9SS20MJ20XFO20-Ni-PFA

**90° Male Bulkhead (J.I.C.)
 X Female (O.R.B.) Page 28**

5310 - 9SS8MJB8XFO8-Z-V
 5311 - 9SS8MJB8XFO8-Z-AL
 5312 - 9SS8MJB8XFO8-Z-PFA
 5313 - 9SS8MJB8XFO8-Ni-V
 5314 - 9SS8MJB8XFO8-Ni-AL
 5315 - 9SS8MJB8XFO8-Ni-PFA

5320 - 9SS8MJB10XFO8-Z-V
 5321 - 9SS8MJB10XFO8-Z-AL
 5322 - 9SS8MJB10XFO8-Z-PFA
 5323 - 9SS8MJB10XFO8-Ni-V
 5324 - 9SS8MJB10XFO8-Ni-AL
 5325 - 9SS8MJB10XFO8-Ni-PFA

ITEM DESCRIPTION

5330 - 9SS12MJB12XFO12-Z-V
 5331 - 9SS12MJB12XFO12-Z-AL
 5332 - 9SS12MJB12XFO12-Z-PFA
 5333 - 9SS12MJB12XFO12-Ni-V
 5334 - 9SS12MJB12XFO12-Ni-AL
 5335 - 9SS12MJB12XFO12-Ni-PFA

5340 - 9SS16MJB16XFO16-Z-V
 5341 - 9SS16MJB16XFO16-Z-AL
 5342 - 9SS16MJB16XFO16-Z-PFA
 5343 - 9SS16MJB16XFO16-Ni-V
 5344 - 9SS16MJB16XFO16-Ni-AL
 5345 - 9SS16MJB16XFO16-Ni-PFA

5350 - 9SS20MJB20XFO20-Z-V
 5351 - 9SS20MJB20XFO20-Z-AL
 5352 - 9SS20MJB20XFO20-Z-PFA
 5353 - 9SS20MJB20XFO20-Ni-V
 5354 - 9SS20MJB20XFO20-Ni-AL
 5355 - 9SS20MJB20XFO20-Ni-PFA

**90° Female Pipe (N.P.T.F.)
 X Female (O.R.B.) Page 27**

5400 - 9SS4FP25XFO6-Z-V
 5401 - 9SS4FP25XFO6-Z-AL
 5402 - 9SS4FP25XFO6-Z-PFA
 5403 - 9SS4FP25XFO6-Ni-V
 5404 - 9SS4FP25XFO6-Ni-AL
 5405 - 9SS4FP25XFO6-Ni-PFA

5410 - 9SS8FP38XFO8-Z-V
 5411 - 9SS8FP38XFO8-Z-AL
 5412 - 9SS8FP38XFO8-Z-PFA
 5413 - 9SS8FP38XFO8-Ni-V
 5414 - 9SS8FP38XFO8-Ni-AL
 5415 - 9SS8FP38XFO8-Ni-PFA

5420 - 9SS8FP50XFO8-Z-V
 5421 - 9SS8FP50XFO8-Z-AL
 5422 - 9SS8FP50XFO8-Z-PFA
 5423 - 9SS8FP50XFO8-Ni-V
 5424 - 9SS8FP50XFO8-Ni-AL
 5425 - 9SS8FP50XFO8-Ni-PFA

5430 - 9SS12FP75XFO12-Z-V
 5431 - 9SS12FP75XFO12-Z-AL
 5432 - 9SS12FP75XFO12-Z-PFA
 5433 - 9SS12FP75XFO12-Ni-V
 5434 - 9SS12FP75XFO12-Ni-AL
 5435 - 9SS12FP75XFO12-Ni-PFA

5440 - 9SS16FP100XFO16-Z-V
 5441 - 9SS16FP100XFO16-Z-AL
 5442 - 9SS16FP100XFO16-Z-PFA
 5443 - 9SS16FP100XFO16-Ni-V
 5444 - 9SS16FP100XFO16-Ni-AL
 5445 - 9SS16FP100XFO16-Ni-PFA

5450 - 9SS20FP125XFO20-Z-V
 5451 - 9SS20FP125XFO20-Z-AL
 5452 - 9SS20FP125XFO20-Z-PFA
 5453 - 9SS20FP125XFO20-Ni-V
 5454 - 9SS20FP125XFO20-Ni-AL
 5455 - 9SS20FP125XFO20-Ni-PFA

**90° Male Pipe (N.P.T.F.)
 X Female (O.R.B.) Page 27**

5500 - 9SS4MP25XFO6-Z-V
 5501 - 9SS4MP25XFO6-Z-AL
 5502 - 9SS4MP25XFO6-Z-PFA
 5503 - 9SS4MP25XFO6-Ni-V
 5504 - 9SS4MP25XFO6-Ni-AL
 5505 - 9SS4MP25XFO6-Ni-PFA

5560 - 9SS4MP38XFO6-Z-V
 5561 - 9SS4MP38XFO6-Z-AL
 5562 - 9SS4MP38XFO6-Z-PFA
 5563 - 9SS4MP38XFO6-Ni-V
 5564 - 9SS4MP38XFO6-Ni-AL
 5565 - 9SS4MP38XFO6-Ni-PFA

ITEM DESCRIPTION

5510 - 9SS8MP38XFO8-Z-V
 5511 - 9SS8MP38XFO8-Z-AL
 5512 - 9SS8MP38XFO8-Z-PFA
 5513 - 9SS8MP38XFO8-Ni-V
 5514 - 9SS8MP38XFO8-Ni-AL
 5515 - 9SS8MP38XFO8-Ni-PFA

5520 - 9SS8MP50XFO8-Z-V
 5521 - 9SS8MP50XFO8-Z-AL
 5522 - 9SS8MP50XFO8-Z-PFA
 5523 - 9SS8MP50XFO8-Ni-V
 5524 - 9SS8MP50XFO8-Ni-AL
 5525 - 9SS8MP50XFO8-Ni-PFA

5530 - 9SS12MP75XFO12-Z-V
 5531 - 9SS12MP75XFO12-Z-AL
 5532 - 9SS12MP75XFO12-Z-PFA
 5533 - 9SS12MP75XFO12-Ni-V
 5534 - 9SS12MP75XFO12-Ni-AL
 5535 - 9SS12MP75XFO12-Ni-PFA

5540 - 9SS16MP100XFO16-Z-V
 5541 - 9SS16MP100XFO16-Z-AL
 5542 - 9SS16MP100XFO16-Z-PFA
 5543 - 9SS16MP100XFO16-Ni-V
 5544 - 9SS16MP100XFO16-Ni-AL
 5545 - 9SS16MP100XFO16-Ni-PFA

5550 - 9SS20MP125XFO20-Z-V
 5551 - 9SS20MP125XFO20-Z-AL
 5552 - 9SS20MP125XFO20-Z-PFA
 5553 - 9SS20MP125XFO20-Ni-V
 5554 - 9SS20MP125XFO20-Ni-AL
 5555 - 9SS20MP125XFO20-Ni-PFA

**90° Male (O.R.B.)
 X Female Pipe (N.P.T.F.) Page 25**

5690 - 9SS4MO4XFP25-Z-V
 5691 - 9SS4MO4XFP25-Z-AL
 5692 - 9SS4MO4XFP25-Z-PFA
 5693 - 9SS4MO4XFP25-Ni-V
 5694 - 9SS4MO4XFP25-Ni-AL
 5695 - 9SS4MO4XFP25-Ni-PFA

5600 - 9SS4MO6XFP25-Z-V
 5601 - 9SS4MO6XFP25-Z-AL
 5602 - 9SS4MO6XFP25-Z-PFA
 5603 - 9SS4MO6XFP25-Ni-V
 5604 - 9SS4MO6XFP25-Ni-AL
 5605 - 9SS4MO6XFP25-Ni-PFA

5610 - 9SS8MO8XFP38-Z-V
 5611 - 9SS8MO8XFP38-Z-AL
 5612 - 9SS8MO8XFP38-Z-PFA
 5613 - 9SS8MO8XFP38-Ni-V
 5614 - 9SS8MO8XFP38-Ni-AL
 5615 - 9SS8MO8XFP38-Ni-PFA

5620 - 9SS8MO10XFP38-Z-V
 5621 - 9SS8MO10XFP38-Z-AL
 5622 - 9SS8MO10XFP38-Z-PFA
 5623 - 9SS8MO10XFP38-Ni-V
 5624 - 9SS8MO10XFP38-Ni-AL
 5625 - 9SS8MO10XFP38-Ni-PFA

5630 - 9SS8MO8XFP50-Z-V
 5631 - 9SS8MO8XFP50-Z-AL
 5632 - 9SS8MO8XFP50-Z-PFA
 5633 - 9SS8MO8XFP50-Ni-V
 5634 - 9SS8MO8XFP50-Ni-AL
 5635 - 9SS8MO8XFP50-Ni-PFA

5640 - 9SS8MO10XFP50-Z-V
 5641 - 9SS8MO10XFP50-Z-AL
 5642 - 9SS8MO10XFP50-Z-PFA
 5643 - 9SS8MO10XFP50-Ni-V
 5644 - 9SS8MO10XFP50-Ni-AL
 5645 - 9SS8MO10XFP50-Ni-PFA

ITEM DESCRIPTION

5650 - 9SS12MO12XFP75-Z-V
 5651 - 9SS12MO12XFP75-Z-AL
 5652 - 9SS12MO12XFP75-Z-PFA
 5653 - 9SS12MO12XFP75-Ni-V
 5654 - 9SS12MO12XFP75-Ni-AL
 5655 - 9SS12MO12XFP75-Ni-PFA

5660 - 9SS16MO16XFP100-Z-V
 5661 - 9SS16MO16XFP100-Z-AL
 5662 - 9SS16MO16XFP100-Z-PFA
 5663 - 9SS16MO16XFP100-Ni-V
 5664 - 9SS16MO16XFP100-Ni-AL
 5665 - 9SS16MO16XFP100-Ni-PFA

5670 - 9SS20MO20XFP125-Z-V
 5671 - 9SS20MO20XFP125-Z-AL
 5672 - 9SS20MO20XFP125-Z-PFA
 5673 - 9SS20MO20XFP125-Ni-V
 5674 - 9SS20MO20XFP125-Ni-AL
 5675 - 9SS20MO20XFP125-Ni-PFA

5683 - 9SS24MO24XFP150-Ni-V
 5684 - 9SS24MO24XFP150-Ni-AL
 5685 - 9SS24MO24XFP150-Ni-PFA

**90° Male (O.R.B.)
 X Female (O.R.B.) Page 26**

5780 - 9SS4MO4XFO6-Z-V
 5781 - 9SS4MO4XFO6-Z-AL
 5782 - 9SS4MO4XFO6-Z-PFA
 5783 - 9SS4MO4XFO6-Ni-V
 5784 - 9SS4MO4XFO6-Ni-AL
 5785 - 9SS4MO4XFO6-Ni-PFA

5700 - 9SS4MO6XFO6-Z-V
 5701 - 9SS4MO6XFO6-Z-AL
 5702 - 9SS4MO6XFO6-Z-PFA
 5703 - 9SS4MO6XFO6-Ni-V
 5704 - 9SS4MO6XFO6-Ni-AL
 5705 - 9SS4MO6XFO6-Ni-PFA

5760 - 9SS4MO10XFO6-Z-V
 5770 - 9SS4MO10XFO6-Z-V-001

5710 - 9SS8MO8XFO8-Z-V
 5711 - 9SS8MO8XFO8-Z-AL
 5712 - 9SS8MO8XFO8-Z-PFA
 5713 - 9SS8MO8XFO8-Ni-V
 5714 - 9SS8MO8XFO8-Ni-AL
 5715 - 9SS8MO8XFO8-Ni-PFA

5720 - 9SS8MO10XFO8-Z-V
 5721 - 9SS8MO10XFO8-Z-AL
 5722 - 9SS8MO10XFO8-Z-PFA
 5723 - 9SS8MO10XFO8-Ni-V
 5724 - 9SS8MO10XFO8-Ni-AL
 5725 - 9SS8MO10XFO8-Ni-PFA

5730 - 9SS12MO12XFO12-Z-V
 5731 - 9SS12MO12XFO12-Z-AL
 5732 - 9SS12MO12XFO12-Z-PFA
 5733 - 9SS12MO12XFO12-Ni-V
 5734 - 9SS12MO12XFO12-Ni-AL
 5735 - 9SS12MO12XFO12-Ni-PFA

5740 - 9SS16MO16XFO16-Z-V
 5741 - 9SS16MO16XFO16-Z-AL
 5742 - 9SS16MO16XFO16-Z-PFA
 5743 - 9SS16MO16XFO16-Ni-V
 5744 - 9SS16MO16XFO16-Ni-AL
 5745 - 9SS16MO16XFO16-Ni-PFA

5750 - 9SS20MO20XFO20-Z-V
 5751 - 9SS20MO20XFO20-Z-AL
 5752 - 9SS20MO20XFO20-Z-PFA
 5753 - 9SS20MO20XFO20-Ni-V
 5754 - 9SS20MO20XFO20-Ni-AL
 5755 - 9SS20MO20XFO20-Ni-PFA

ITEM DESCRIPTION

**90° Male (J.I.C.)
X Female Pipe (N.P.T.F.) Page 25**

- 5890 - 9SS4MJ4XFP25-Z-V
- 5891 - 9SS4MJ4XFP25-Z-AL
- 5892 - 9SS4MJ4XFP25-Z-PFA
- 5893 - 9SS4MJ4XFP25-Ni-V
- 5894 - 9SS4MJ4XFP25-Ni-AL
- 5895 - 9SS4MJ4XFP25-Ni-PFA

- 5800 - 9SS4MJ6XFP25-Z-V
- 5801 - 9SS4MJ6XFP25-Z-AL
- 5802 - 9SS4MJ6XFP25-Z-PFA
- 5803 - 9SS4MJ6XFP25-Ni-V
- 5804 - 9SS4MJ6XFP25-Ni-AL
- 5805 - 9SS4MJ6XFP25-Ni-PFA

- 5810 - 9SS8MJ8XFP38-Z-V
- 5811 - 9SS8MJ8XFP38-Z-AL
- 5812 - 9SS8MJ8XFP38-Z-PFA
- 5813 - 9SS8MJ8XFP38-Ni-V
- 5814 - 9SS8MJ8XFP38-Ni-AL
- 5815 - 9SS8MJ8XFP38-Ni-PFA

- 5870 - 9SS8MJ10XFP38-Z-V
- 5871 - 9SS8MJ10XFP38-Z-AL
- 5872 - 9SS8MJ10XFP38-Z-PFA
- 5873 - 9SS8MJ10XFP38-Ni-V
- 5874 - 9SS8MJ10XFP38-Ni-AL
- 5875 - 9SS8MJ10XFP38-Ni-PFA

- 5820 - 9SS8MJ8XFP50-Z-V
- 5821 - 9SS8MJ8XFP50-Z-AL
- 5822 - 9SS8MJ8XFP50-Z-PFA
- 5823 - 9SS8MJ8XFP50-Ni-V
- 5824 - 9SS8MJ8XFP50-Ni-AL
- 5825 - 9SS8MJ8XFP50-Ni-PFA

- 5830 - 9SS8MJ10XFP50-Z-V
- 5831 - 9SS8MJ10XFP50-Z-AL
- 5832 - 9SS8MJ10XFP50-Z-PFA
- 5833 - 9SS8MJ10XFP50-Ni-V
- 5834 - 9SS8MJ10XFP50-Ni-AL
- 5835 - 9SS8MJ10XFP50-Ni-PFA

- 5840 - 9SS12MJ12XFP75-Z-V
- 5841 - 9SS12MJ12XFP75-Z-AL
- 5842 - 9SS12MJ12XFP75-Z-PFA
- 5843 - 9SS12MJ12XFP75-Ni-V
- 5844 - 9SS12MJ12XFP75-Ni-AL
- 5845 - 9SS12MJ12XFP75-Ni-PFA

- 5850 - 9SS16MJ16XFP100-Z-V
- 5851 - 9SS16MJ16XFP100-Z-AL
- 5852 - 9SS16MJ16XFP100-Z-PFA
- 5853 - 9SS16MJ16XFP100-Ni-V
- 5854 - 9SS16MJ16XFP100-Ni-AL
- 5855 - 9SS16MJ16XFP100-Ni-PFA

- 5860 - 9SS20MJ20XFP125-Z-V
- 5861 - 9SS20MJ20XFP125-Z-AL
- 5862 - 9SS20MJ20XFP125-Z-PFA
- 5863 - 9SS20MJ20XFP125-Ni-V
- 5864 - 9SS20MJ20XFP125-Ni-AL
- 5865 - 9SS20MJ20XFP125-Ni-PFA

- 5883 - 9SS24MJ24XFP150-Ni-V
- 5884 - 9SS24MJ24XFP150-Ni-AL
- 5885 - 9SS24MJ24XFP150-Ni-PFA

**90° (H.P.) Female Pipe
X Female Pipe (N.P.T.F.) Page 43**

- 5923 - 9SS8HPFP50XFP50-Ni-V
- 5924 - 9SS8HPFP50XFP50-Ni-AL

**90° (H.P.) Male Pipe
X Female Pipe (N.P.T.F.) Page 43**

- 6023 - 9SS8HPMP50XFP50-Ni-V
- 6024 - 9SS8HPMP50XFP50-Ni-AL

ITEM DESCRIPTION

**90° Male Bulkhead (J.I.C.)
X Female Pipe (N.P.T.F.) Page 26**

- 6110 - 9SS8MJB8XFP38-Z-V
- 6111 - 9SS8MJB8XFP38-Z-AL
- 6112 - 9SS8MJB8XFP38-Z-PFA
- 6113 - 9SS8MJB8XFP38-Ni-V
- 6114 - 9SS8MJB8XFP38-Ni-AL
- 6115 - 9SS8MJB8XFP38-Ni-PFA

- 6120 - 9SS8MJB8XFP50-Z-V
- 6121 - 9SS8MJB8XFP50-Z-AL
- 6122 - 9SS8MJB8XFP50-Z-PFA
- 6123 - 9SS8MJB8XFP50-Ni-V
- 6124 - 9SS8MJB8XFP50-Ni-AL
- 6125 - 9SS8MJB8XFP50-Ni-PFA

- 6170 - 9SS8MJB10XFP38-Z-V
- 6171 - 9SS8MJB10XFP38-Z-AL
- 6172 - 9SS8MJB10XFP38-Z-PFA
- 6173 - 9SS8MJB10XFP38-Ni-V
- 6174 - 9SS8MJB10XFP38-Ni-AL
- 6175 - 9SS8MJB10XFP38-Ni-PFA

- 6130 - 9SS8MJB10XFP50-Z-V
- 6131 - 9SS8MJB10XFP50-Z-AL
- 6132 - 9SS8MJB10XFP50-Z-PFA
- 6133 - 9SS8MJB10XFP50-Ni-V
- 6134 - 9SS8MJB10XFP50-Ni-AL
- 6135 - 9SS8MJB10XFP50-Ni-PFA

- 6140 - 9SS12MJB12XFP75-Z-V
- 6141 - 9SS12MJB12XFP75-Z-AL
- 6142 - 9SS12MJB12XFP75-Z-PFA
- 6143 - 9SS12MJB12XFP75-Ni-V
- 6144 - 9SS12MJB12XFP75-Ni-AL
- 6145 - 9SS12MJB12XFP75-Ni-PFA

- 6150 - 9SS16MJB16XFP100-Z-V
- 6151 - 9SS16MJB16XFP100-Z-AL
- 6152 - 9SS16MJB16XFP100-Z-PFA
- 6153 - 9SS16MJB16XFP100-Ni-V
- 6154 - 9SS16MJB16XFP100-Ni-AL
- 6155 - 9SS16MJB16XFP100-Ni-PFA

- 6160 - 9SS20MJB20XFP125-Z-V
- 6161 - 9SS20MJB20XFP125-Z-AL
- 6162 - 9SS20MJB20XFP125-Z-PFA
- 6163 - 9SS20MJB20XFP125-Ni-V
- 6164 - 9SS20MJB20XFP125-Ni-AL
- 6165 - 9SS20MJB20XFP125-Ni-PFA

**90° Female Pipe (N.P.T.F.)
X Pipe Swivel (N.P.S.M.) Page 29**

- 6200 - 9SS4FP25XPS25-Z-V
- 6201 - 9SS4FP25XPS25-Z-AL
- 6202 - 9SS4FP25XPS25-Z-PFA
- 6203 - 9SS4FP25XPS25-Ni-V
- 6204 - 9SS4FP25XPS25-Ni-AL
- 6205 - 9SS4FP25XPS25-Ni-PFA

- 6260 - 9SS4FP25XPS38-Z-V
- 6261 - 9SS4FP25XPS38-Z-AL
- 6262 - 9SS4FP25XPS38-Z-PFA
- 6263 - 9SS4FP25XPS38-Ni-V
- 6264 - 9SS4FP25XPS38-Ni-AL
- 6265 - 9SS4FP25XPS38-Ni-PFA

- 6210 - 9SS8FP38XPS38 - Z - V
- 6211 - 9SS8FP38XPS38 - Z - AL
- 6212 - 9SS8FP38XPS38 - Z - PFA
- 6213 - 9SS8FP38XPS38 - Ni - V
- 6214 - 9SS8FP38XPS38 - Ni - AL
- 6215 - 9SS8FP38XPS38 - Ni - PFA

- 6220 - 9SS8FP50XPS50-Z-V
- 6221 - 9SS8FP50XPS50-Z-AL
- 6222 - 9SS8FP50XPS50-Z-PFA
- 6223 - 9SS8FP50XPS50-Ni-V
- 6224 - 9SS8FP50XPS50-Ni-AL
- 6225 - 9SS8FP50XPS50-Ni-PFA

ITEM DESCRIPTION

- 6230 - 9SS12FP75XPS75-Z-V
- 6231 - 9SS12FP75XPS75-Z-AL
- 6232 - 9SS12FP75XPS75-Z-PFA
- 6233 - 9SS12FP75XPS75-Ni-V
- 6234 - 9SS12FP75XPS75-Ni-AL
- 6235 - 9SS12FP75XPS75-Ni-PFA

- 6240 - 9SS16FP100XPS100-Z-V
- 6241 - 9SS16FP100XPS100-Z-AL
- 6242 - 9SS16FP100XPS100-Z-PFA
- 6243 - 9SS16FP100XPS100-Ni-V
- 6244 - 9SS16FP100XPS100-Ni-AL
- 6245 - 9SS16FP100XPS100-Ni-PFA

- 6250 - 9SS20FP125XPS125-Z-V
- 6251 - 9SS20FP125XPS125-Z-AL
- 6252 - 9SS20FP125XPS125-Z-PFA
- 6253 - 9SS20FP125XPS125-Ni-V
- 6254 - 9SS20FP125XPS125-Ni-AL
- 6255 - 9SS20FP125XPS125-Ni-PFA

- 6273 - 9SS24FP150XPS150-Ni-V
- 6274 - 9SS24FP150XPS150-Ni-AL
- 6275 - 9SS24FP150XPS150-Ni-PFA

**90° Male Pipe (N.P.T.F.)
X Pipe Swivel (N.P.S.M.) Page 29**

- 6300 - 9SS4MP25XPS25-Z-V
- 6301 - 9SS4MP25XPS25-Z-AL
- 6302 - 9SS4MP25XPS25-Z-PFA
- 6303 - 9SS4MP25XPS25-Ni-V
- 6304 - 9SS4MP25XPS25-Ni-AL
- 6305 - 9SS4MP25XPS25-Ni-PFA

- 6370 - 9SS4MP25XPS38-Z-V
- 6371 - 9SS4MP25XPS38-Z-AL
- 6372 - 9SS4MP25XPS38-Z-PFA
- 6373 - 9SS4MP25XPS38-Ni-V
- 6374 - 9SS4MP25XPS38-Ni-AL
- 6375 - 9SS4MP25XPS38-Ni-PFA

- 6360 - 9SS4MP38XPS25-Z-V
- 6361 - 9SS4MP38XPS25-Z-AL
- 6362 - 9SS4MP38XPS25-Z-PFA
- 6363 - 9SS4MP38XPS25-Ni-V
- 6364 - 9SS4MP38XPS25-Ni-AL
- 6365 - 9SS4MP38XPS25-Ni-PFA

- 6380 - 9SS4MP38XPS38-Z-V
- 6381 - 9SS4MP38XPS38-Z-AL
- 6382 - 9SS4MP38XPS38-Z-PFA
- 6383 - 9SS4MP38XPS38-Ni-V
- 6384 - 9SS4MP38XPS38-Ni-AL
- 6385 - 9SS4MP38XPS38-Ni-PFA

- 6310 - 9SS8MP38XPS38-Z-V
- 6311 - 9SS8MP38XPS38-Z-AL
- 6312 - 9SS8MP38XPS38-Z-PFA
- 6313 - 9SS8MP38XPS38-Ni-V
- 6314 - 9SS8MP38XPS38-Ni-AL
- 6315 - 9SS8MP38XPS38-Ni-PFA

- 6320 - 9SS8MP50XPS50-Z-V
- 6321 - 9SS8MP50XPS50-Z-AL
- 6322 - 9SS8MP50XPS50-Z-PFA
- 6323 - 9SS8MP50XPS50-Ni-V
- 6324 - 9SS8MP50XPS50-Ni-AL
- 6325 - 9SS8MP50XPS50-Ni-PFA

- 6330 - 9SS12MP75XPS75-Z-V
- 6331 - 9SS12MP75XPS75-Z-AL
- 6332 - 9SS12MP75XPS75-Z-PFA
- 6333 - 9SS12MP75XPS75-Ni-V
- 6334 - 9SS12MP75XPS75-Ni-AL
- 6335 - 9SS12MP75XPS75-Ni-PFA

- 6340 - 9SS16MP100XPS100-Z-V
- 6341 - 9SS16MP100XPS100-Z-AL
- 6342 - 9SS16MP100XPS100-Z-PFA
- 6343 - 9SS16MP100XPS100-Ni-V
- 6344 - 9SS16MP100XPS100-Ni-AL
- 6345 - 9SS16MP100XPS100-Ni-PFA

ITEM DESCRIPTION

- 6350 - 9SS20MP125XPS125-Z-V
- 6351 - 9SS20MP125XPS125-Z-AL
- 6352 - 9SS20MP125XPS125-Z-PFA
- 6353 - 9SS20MP125XPS125-Ni-V
- 6354 - 9SS20MP125XPS125-Ni-AL
- 6355 - 9SS20MP125XPS125-Ni-PFA

- 6393 - 9SS24MP150XPS150-Ni-V
- 6394 - 9SS24MP150XPS150-Ni-AL
- 6395 - 9SS24MP150XPS150-Ni-PFA

**90° Male (O.R.B.)
X Pipe Swivel (N.P.S.M.) Page 30**

- 6490 - 9SS4MO4XPS25-Z-V
- 6491 - 9SS4MO4XPS25-Z-AL
- 6492 - 9SS4MO4XPS25-Z-PFA
- 6493 - 9SS4MO4XPS25-Ni-V
- 6494 - 9SS4MO4XPS25-Ni-AL
- 6495 - 9SS4MO4XPS25-Ni-PFA

- 6400 - 9SS4MO6XPS25-Z-V
- 6401 - 9SS4MO6XPS25-Z-AL
- 6402 - 9SS4MO6XPS25-Z-PFA
- 6403 - 9SS4MO6XPS25-Ni-V
- 6404 - 9SS4MO6XPS25-Ni-AL
- 6405 - 9SS4MO6XPS25-Ni-PFA

- 6470 - 9SS4MO6XPS38-Z-V
- 6471 - 9SS4MO6XPS38-Z-AL
- 6472 - 9SS4MO6XPS38-Z-PFA
- 6473 - 9SS4MO6XPS38-Ni-V
- 6474 - 9SS4MO6XPS38-Ni-AL
- 6475 - 9SS4MO6XPS38-Ni-PFA

- 6410 - 9SS8MO8XPS38-Z-V
- 6411 - 9SS8MO8XPS38-Z-AL
- 6412 - 9SS8MO8XPS38-Z-PFA
- 6413 - 9SS8MO8XPS38-Ni-V
- 6414 - 9SS8MO8XPS38-Ni-AL
- 6415 - 9SS8MO8XPS38-Ni-PFA

- 6420 - 9SS8MO8XPS50-Z-V
- 6421 - 9SS8MO8XPS50-Z-AL
- 6422 - 9SS8MO8XPS50-Z-PFA
- 6423 - 9SS8MO8XPS50-Ni-V
- 6424 - 9SS8MO8XPS50-Ni-AL
- 6425 - 9SS8MO8XPS50-Ni-PFA

- 6430 - 9SS8MO10XPS50-Z-V
- 6431 - 9SS8MO10XPS50-Z-AL
- 6432 - 9SS8MO10XPS50-Z-PFA
- 6433 - 9SS8MO10XPS50-Ni-V
- 6434 - 9SS8MO10XPS50-Ni-AL
- 6435 - 9SS8MO10XPS50-Ni-PFA

- 6440 - 9SS12MO12XPS75-Z-V
- 6441 - 9SS12MO12XPS75-Z-AL
- 6442 - 9SS12MO12XPS75-Z-PFA
- 6443 - 9SS12MO12XPS75-Ni-V
- 6444 - 9SS12MO12XPS75-Ni-AL
- 6445 - 9SS12MO12XPS75-Ni-PFA

- 6450 - 9SS16MO16XPS100-Z-V
- 6451 - 9SS16MO16XPS100-Z-AL
- 6452 - 9SS16MO16XPS100-Z-PFA
- 6453 - 9SS16MO16XPS100-Ni-V
- 6454 - 9SS16MO16XPS100-Ni-AL
- 6455 - 9SS16MO16XPS100-Ni-PFA

ITEM DESCRIPTION

**90° Male (J.I.C.)
X Pipe Swivel (N.P.S.M.) Page 30**

6590 - 9SS4MJ4XPS25-Z-V
6591 - 9SS4MJ4XPS25-Z-AL
6592 - 9SS4MJ4XPS25-Z-PFA
6593 - 9SS4MJ4XPS25-NI-V
6594 - 9SS4MJ4XPS25-NI-AL
6595 - 9SS4MJ4XPS25-NI-PFA

6500 - 9SS4MJ6XPS25-Z-V
6501 - 9SS4MJ6XPS25-Z-AL
6502 - 9SS4MJ6XPS25-Z-PFA
6503 - 9SS4MJ6XPS25-Ni-V
6504 - 9SS4MJ6XPS25-Ni-AL
6505 - 9SS4MJ6XPS25-Ni-PFA

6570 - 9SS4MJ6XPS38-Z-V
6571 - 9SS4MJ6XPS38-Z-AL
6572 - 9SS4MJ6XPS38-Z-PFA
6573 - 9SS4MJ6XPS38-Ni-V
6574 - 9SS4MJ6XPS38-Ni-AL
6575 - 9SS4MJ6XPS38-Ni-PFA

6510 - 9SS8MJ8XPS38-Z-V
6511 - 9SS8MJ8XPS38-Z-AL
6512 - 9SS8MJ8XPS38-Z-PFA
6513 - 9SS8MJ8XPS38-Ni-V
6514 - 9SS8MJ8XPS38-Ni-AL
6515 - 9SS8MJ8XPS38-Ni-PFA

6520 - 9SS8MJ8XPS50-Z-V
6521 - 9SS8MJ8XPS50-Z-AL
6522 - 9SS8MJ8XPS50-Z-PFA
6523 - 9SS8MJ8XPS50-Ni-V
6524 - 9SS8MJ8XPS50-Ni-AL
6525 - 9SS8MJ8XPS50-Ni-PFA

6530 - 9SS8MJ10XPS50-Z-V
6531 - 9SS8MJ10XPS50-Z-AL
6532 - 9SS8MJ10XPS50-Z-PFA
6533 - 9SS8MJ10XPS50-Ni-V
6534 - 9SS8MJ10XPS50-Ni-AL
6535 - 9SS8MJ10XPS50-Ni-PFA

6540 - 9SS12MJ12XPS75-Z-V
6541 - 9SS12MJ12XPS75-Z-AL
6542 - 9SS12MJ12XPS75-Z-PFA
6543 - 9SS12MJ12XPS75-Ni-V
6544 - 9SS12MJ12XPS75-Ni-AL
6545 - 9SS12MJ12XPS75-Ni-PFA

6550 - 9SS16MJ16XPS100-Z-V
6551 - 9SS16MJ16XPS100-Z-AL
6552 - 9SS16MJ16XPS100-Z-PFA
6553 - 9SS16MJ16XPS100-Ni-V
6554 - 9SS16MJ16XPS100-Ni-AL
6555 - 9SS16MJ16XPS100-Ni-PFA

6560 - 9SS20MJ20XPS125-Z-V
6561 - 9SS20MJ20XPS125-Z-AL
6562 - 9SS20MJ20XPS125-Z-PFA
6563 - 9SS20MJ20XPS125-Ni-V
6564 - 9SS20MJ20XPS125-Ni-AL
6565 - 9SS20MJ20XPS125-Ni-PFA

6583 - 9SS24MJ24XPS150-Ni-V
6584 - 9SS24MJ24XPS150-Ni-AL
6585 - 9SS24MJ24XPS150-Ni-PFA

**90° Male Bulkhead (J.I.C.)
X Pipe Swivel (N.P.S.M.) Page 31**

6610 - 9SS8MJ8XPS38-Z-V
6611 - 9SS8MJ8XPS38-Z-AL
6612 - 9SS8MJ8XPS38-Z-PFA
6613 - 9SS8MJ8XPS38-Ni-V
6614 - 9SS8MJ8XPS38-Ni-AL
6615 - 9SS8MJ8XPS38-Ni-PFA

6620 - 9SS8MJ8XPS50-Z-V
6621 - 9SS8MJ8XPS50-Z-AL
6622 - 9SS8MJ8XPS50-Z-PFA
6623 - 9SS8MJ8XPS50-Ni-V
6624 - 9SS8MJ8XPS50-Ni-AL
6625 - 9SS8MJ8XPS50-Ni-PFA

ITEM DESCRIPTION

6630 - 9SS8MJ10XPS50-Z-V
6631 - 9SS8MJ10XPS50-Z-AL
6632 - 9SS8MJ10XPS50-Z-PFA
6633 - 9SS8MJ10XPS50-Ni-V
6634 - 9SS8MJ10XPS50-Ni-AL
6635 - 9SS8MJ10XPS50-Ni-PFA

6640 - 9SS12MJ12XPS75-Z-V
6641 - 9SS12MJ12XPS75-Z-AL
6642 - 9SS12MJ12XPS75-Z-PFA
6643 - 9SS12MJ12XPS75-Ni-V
6644 - 9SS12MJ12XPS75-Ni-AL
6645 - 9SS12MJ12XPS75-Ni-PFA

6650 - 9SS16MJ16XPS100-Z-V
6651 - 9SS16MJ16XPS100-Z-AL
6652 - 9SS16MJ16XPS100-Z-PFA
6653 - 9SS16MJ16XPS100-Ni-V
6654 - 9SS16MJ16XPS100-Ni-AL
6655 - 9SS16MJ16XPS100-Ni-PFA

6660 - 9SS20MJ20XPS125-Z-V
6661 - 9SS20MJ20XPS125-Z-AL
6662 - 9SS20MJ20XPS125-Z-PFA
6663 - 9SS20MJ20XPS125-Ni-V
6664 - 9SS20MJ20XPS125-Ni-AL
6665 - 9SS20MJ20XPS125-Ni-PFA

**90° Female Pipe (N.P.T.F.)
X Male (J.I.C.) Page 31**

6780 - 9SS4FP25XMJ4-Z-V
6781 - 9SS4FP25XMJ4-Z-AL
6782 - 9SS4FP25XMJ4-Z-PFA
6783 - 9SS4FP25XMJ4-Ni-V
6784 - 9SS4FP25XMJ4-Ni-AL
6785 - 9SS4FP25XMJ4-Ni-PFA

6700 - 9SS4FP25XMJ6-Z-V
6701 - 9SS4FP25XMJ6-Z-AL
6702 - 9SS4FP25XMJ6-Z-PFA
6703 - 9SS4FP25XMJ6-Ni-V
6704 - 9SS4FP25XMJ6-Ni-AL
6705 - 9SS4FP25XMJ6-Ni-PFA

6790 - 9SS8FP38XMJ6-Z-V
6791 - 9SS8FP38XMJ6-Z-AL
6792 - 9SS8FP38XMJ6-Z-PFA
6793 - 9SS8FP38XMJ6-Ni-V
6794 - 9SS8FP38XMJ6-Ni-AL
6795 - 9SS8FP38XMJ6-Ni-PFA

6710 - 9SS8FP38XMJ8-Z-V
6711 - 9SS8FP38XMJ8-Z-AL
6712 - 9SS8FP38XMJ8-Z-PFA
6713 - 9SS8FP38XMJ8-Ni-V
6714 - 9SS8FP38XMJ8-Ni-AL
6715 - 9SS8FP38XMJ8-Ni-PFA

6720 - 9SS8FP50XMJ8-Z-V
6721 - 9SS8FP50XMJ8-Z-AL
6722 - 9SS8FP50XMJ8-Z-PFA
6723 - 9SS8FP50XMJ8-Ni-V
6724 - 9SS8FP50XMJ8-Ni-AL
6725 - 9SS8FP50XMJ8-Ni-PFA

6730 - 9SS8FP50XMJ10-Z-V
6731 - 9SS8FP50XMJ10-Z-AL
6732 - 9SS8FP50XMJ10-Z-PFA
6733 - 9SS8FP50XMJ10-Ni-V
6734 - 9SS8FP50XMJ10-Ni-AL
6735 - 9SS8FP50XMJ10-Ni-PFA

6740 - 9SS12FP75XMJ12-Z-V
6741 - 9SS12FP75XMJ12-Z-AL
6742 - 9SS12FP75XMJ12-Z-PFA
6743 - 9SS12FP75XMJ12-Ni-V
6744 - 9SS12FP75XMJ12-Ni-AL
6745 - 9SS12FP75XMJ12-Ni-PFA

6750 - 9SS16FP100XMJ16-Z-V
6751 - 9SS16FP100XMJ16-Z-AL
6752 - 9SS16FP100XMJ16-Z-PFA
6753 - 9SS16FP100XMJ16-Ni-V
6754 - 9SS16FP100XMJ16-Ni-AL
6755 - 9SS16FP100XMJ16-Ni-PFA

ITEM DESCRIPTION

6760 - 9SS20FP125XMJ20-Z-V
6761 - 9SS20FP125XMJ20-Z-AL
6762 - 9SS20FP125XMJ20-Z-PFA
6763 - 9SS20FP125XMJ20-Ni-V
6764 - 9SS20FP125XMJ20-Ni-AL
6765 - 9SS20FP125XMJ20-Ni-PFA

6773 - 9SS24FP150XMJ24-Ni-V
6774 - 9SS24FP150XMJ24-Ni-AL
6775 - 9SS24FP150XMJ24-Ni-PFA

**90° Male Pipe (N.P.T.F.)
X Male (J.I.C.) Page 32**

6890 - 9SS4MP25XMJ4-Z-V
6891 - 9SS4MP25XMJ4-Z-AL
6892 - 9SS4MP25XMJ4-Z-PFA
6893 - 9SS4MP25XMJ4-Ni-V
6894 - 9SS4MP25XMJ4-Ni-AL
6895 - 9SS4MP25XMJ4-Ni-PFA

6800 - 9SS4MP25XMJ6-Z-V
6801 - 9SS4MP25XMJ6-Z-AL
6802 - 9SS4MP25XMJ6-Z-PFA
6803 - 9SS4MP25XMJ6-Ni-V
6804 - 9SS4MP25XMJ6-Ni-AL
6805 - 9SS4MP25XMJ6-Ni-PFA

6870 - 9SS4MP38XMJ6-Z-V
6871 - 9SS4MP38XMJ6-Z-AL
6872 - 9SS4MP38XMJ6-Z-PFA
6873 - 9SS4MP38XMJ6-Ni-V
6874 - 9SS4MP38XMJ6-Ni-AL
6875 - 9SS4MP38XMJ6-Ni-PFA

6810 - 9SS8MP38XMJ8-Z-V
6811 - 9SS8MP38XMJ8-Z-AL
6812 - 9SS8MP38XMJ8-Z-PFA
6813 - 9SS8MP38XMJ8-Ni-V
6814 - 9SS8MP38XMJ8-Ni-AL
6815 - 9SS8MP38XMJ8-Ni-PFA

6820 - 9SS8MP50XMJ8-Z-V
6821 - 9SS8MP50XMJ8-Z-AL
6822 - 9SS8MP50XMJ8-Z-PFA
6823 - 9SS8MP50XMJ8-Ni-V
6824 - 9SS8MP50XMJ8-Ni-AL
6825 - 9SS8MP50XMJ8-Ni-PFA

6830 - 9SS8MP50XMJ10-Z-V
6831 - 9SS8MP50XMJ10-Z-AL
6832 - 9SS8MP50XMJ10-Z-PFA
6833 - 9SS8MP50XMJ10-Ni-V
6834 - 9SS8MP50XMJ10-Ni-AL
6835 - 9SS8MP50XMJ10-Ni-PFA

6840 - 9SS12MP75XMJ12-Z-V
6841 - 9SS12MP75XMJ12-Z-AL
6842 - 9SS12MP75XMJ12-Z-PFA
6843 - 9SS12MP75XMJ12-Ni-V
6844 - 9SS12MP75XMJ12-Ni-AL
6845 - 9SS12MP75XMJ12-Ni-PFA

6850 - 9SS16MP100XMJ16-Z-V
6851 - 9SS16MP100XMJ16-Z-AL
6852 - 9SS16MP100XMJ16-Z-PFA
6853 - 9SS16MP100XMJ16-Ni-V
6854 - 9SS16MP100XMJ16-Ni-AL
6855 - 9SS16MP100XMJ16-Ni-PFA

6860 - 9SS20MP125XMJ20-Z-V
6861 - 9SS20MP125XMJ20-Z-AL
6862 - 9SS20MP125XMJ20-Z-PFA
6863 - 9SS20MP125XMJ20-Ni-V
6864 - 9SS20MP125XMJ20-Ni-AL
6865 - 9SS20MP125XMJ20-Ni-PFA

6883 - 9SS24MP150XMJ24-Ni-V
6884 - 9SS24MP150XMJ24-Ni-AL
6885 - 9SS24MP150XMJ24-Ni-PFA

**90° Male (O.R.B.)
X Male (J.I.C.) Page 32**

6970 - 9SS4MO4XMJ4-Z-V
6971 - 9SS4MO4XMJ4-Z-AL
6972 - 9SS4MO4XMJ4-Z-PFA

ITEM DESCRIPTION

6973 - 9SS4MO4XMJ4-Ni-V
6974 - 9SS4MO4XMJ4-Ni-AL
6975 - 9SS4MO4XMJ4-Ni-PFA

6900 - 9SS4MO6XMJ6-Z-V
6901 - 9SS4MO6XMJ6-Z-AL
6902 - 9SS4MO6XMJ6-Z-PFA
6903 - 9SS4MO6XMJ6-Ni-V
6904 - 9SS4MO6XMJ6-Ni-AL
6905 - 9SS4MO6XMJ6-Ni-PFA

6910 - 9SS8MO8XMJ8-Z-V
6911 - 9SS8MO8XMJ8-Z-AL
6912 - 9SS8MO8XMJ8-Z-PFA
6913 - 9SS8MO8XMJ8-Ni-V
6914 - 9SS8MO8XMJ8-Ni-AL
6915 - 9SS8MO8XMJ8-Ni-PFA

6920 - 9SS8MO10XMJ10-Z-V
6921 - 9SS8MO10XMJ10-Z-AL
6922 - 9SS8MO10XMJ10-Z-PFA
6923 - 9SS8MO10XMJ10-Ni-V
6924 - 9SS8MO10XMJ10-Ni-AL
6925 - 9SS8MO10XMJ10-Ni-PFA

6930 - 9SS12MO12XMJ12-Z-V
6931 - 9SS12MO12XMJ12-Z-AL
6932 - 9SS12MO12XMJ12-Z-PFA
6933 - 9SS12MO12XMJ12-Ni-V
6934 - 9SS12MO12XMJ12-Ni-AL
6935 - 9SS12MO12XMJ12-Ni-PFA

6940 - 9SS16MO16XMJ16-Z-V
6941 - 9SS16MO16XMJ16-Z-AL
6942 - 9SS16MO16XMJ16-Z-PFA
6943 - 9SS16MO16XMJ16-Ni-V
6944 - 9SS16MO16XMJ16-Ni-AL
6945 - 9SS16MO16XMJ16-Ni-PFA

6950 - 9SS20MO20XMJ20-Z-V
6951 - 9SS20MO20XMJ20-Z-AL
6952 - 9SS20MO20XMJ20-Z-PFA
6953 - 9SS20MO20XMJ20-Ni-V
6954 - 9SS20MO20XMJ20-Ni-AL
6955 - 9SS20MO20XMJ20-Ni-PFA

6963 - 9SS24MO24XMJ24-Ni-V
6964 - 9SS24MO24XMJ24-Ni-AL
6965 - 9SS24MO24XMJ24-Ni-PFA

**90° Male (J.I.C.)
X Male (J.I.C.) Page 33**

7070 - 9SS4MJ4XMJ4-Z-V
7071 - 9SS4MJ4XMJ4-Z-AL
7072 - 9SS4MJ4XMJ4-Z-PFA
7073 - 9SS4MJ4XMJ4-Ni-V
7074 - 9SS4MJ4XMJ4-Ni-AL
7075 - 9SS4MJ4XMJ4-Ni-PFA

7000 - 9SS4MJ6XMJ6-Z-V
7001 - 9SS4MJ6XMJ6-Z-AL
7002 - 9SS4MJ6XMJ6-Z-PFA
7003 - 9SS4MJ6XMJ6-Ni-V
7004 - 9SS4MJ6XMJ6-Ni-AL
7005 - 9SS4MJ6XMJ6-Ni-PFA

7010 - 9SS8MJ8XMJ8-Z-V
7011 - 9SS8MJ8XMJ8-Z-AL
7012 - 9SS8MJ8XMJ8-Z-PFA
7013 - 9SS8MJ8XMJ8-Ni-V
7014 - 9SS8MJ8XMJ8-Ni-AL
7015 - 9SS8MJ8XMJ8-Ni-PFA

7020 - 9SS8MJ10XMJ10-Z-V
7021 - 9SS8MJ10XMJ10-Z-AL
7022 - 9SS8MJ10XMJ10-Z-PFA
7023 - 9SS8MJ10XMJ10-Ni-V
7024 - 9SS8MJ10XMJ10-Ni-AL
7025 - 9SS8MJ10XMJ10-Ni-PFA

7030 - 9SS12MJ12XMJ12-Z-V
7031 - 9SS12MJ12XMJ12-Z-AL
7032 - 9SS12MJ12XMJ12-Z-PFA
7033 - 9SS12MJ12XMJ12-Ni-V
7034 - 9SS12MJ12XMJ12-Ni-AL
7035 - 9SS12MJ12XMJ12-Ni-PFA

ITEM DESCRIPTION

7040 - 9SS16MJ16X MJ16-Z-V
 7041 - 9SS16MJ16X MJ16-Z-AL
 7042 - 9SS16MJ16X MJ16-Z-PFA
 7043 - 9SS16MJ16X MJ16-Ni-V
 7044 - 9SS16MJ16X MJ16-Ni-AL
 7045 - 9SS16MJ16X MJ16-Ni-PFA

 7050 - 9SS20MJ20X MJ20-Z-V
 7051 - 9SS20MJ20X MJ20-Z-AL
 7052 - 9SS20MJ20X MJ20-Z-PFA
 7053 - 9SS20MJ20X MJ20-Ni-V
 7054 - 9SS20MJ20X MJ20-Ni-AL
 7055 - 9SS20MJ20X MJ20-Ni-PFA

 7063 - 9SS24MJ24X MJ24-Ni-V
 7064 - 9SS24MJ24X MJ24-Ni-AL
 7065 - 9SS24MJ24X MJ24-Ni-PFA

**90° Female Pipe (N.P.T.F.)
 X Male Pipe (N.P.T.F.) Page 34**

7100 - 9SS4FP25X MP25-Z-V
 7101 - 9SS4FP25X MP25-Z-AL
 7102 - 9SS4FP25X MP25-Z-PFA
 7103 - 9SS4FP25X MP25-Ni-V
 7104 - 9SS4FP25X MP25-Ni-AL
 7105 - 9SS4FP25X MP25-Ni-PFA

 7110 - 9SS8FP38X MP38-Z-V
 7111 - 9SS8FP38X MP38-Z-AL
 7112 - 9SS8FP38X MP38-Z-PFA
 7113 - 9SS8FP38X MP38-Ni-V
 7114 - 9SS8FP38X MP38-Ni-AL
 7115 - 9SS8FP38X MP38-Ni-PFA

7120 - 9SS8FP50X MP50-Z-V
 7121 - 9SS8FP50X MP50-Z-AL
 7122 - 9SS8FP50X MP50-Z-PFA
 7123 - 9SS8FP50X MP50-Ni-V
 7124 - 9SS8FP50X MP50-Ni-AL
 7125 - 9SS8FP50X MP50-Ni-PFA

7130 - 9SS8FP50X MP38-Z-V
 7131 - 9SS8FP50X MP38-Z-AL
 7132 - 9SS8FP50X MP38-Z-PFA
 7133 - 9SS8FP50X MP38-Ni-V
 7134 - 9SS8FP50X MP38-Ni-AL
 7135 - 9SS8FP50X MP38-Ni-PFA

7140 - 9SS8FP50X MP50-Z-V
 7141 - 9SS8FP50X MP50-Z-AL
 7142 - 9SS8FP50X MP50-Z-PFA
 7143 - 9SS8FP50X MP50-Ni-V
 7144 - 9SS8FP50X MP50-Ni-AL
 7145 - 9SS8FP50X MP50-Ni-PFA

7150 - 9SS12FP75X MP75-Z-V
 7151 - 9SS12FP75X MP75-Z-AL
 7152 - 9SS12FP75X MP75-Z-PFA
 7153 - 9SS12FP75X MP75-Ni-V
 7154 - 9SS12FP75X MP75-Ni-AL
 7155 - 9SS12FP75X MP75-Ni-PFA

7160 - 9SS16FP100X MP100-Z-V
 7161 - 9SS16FP100X MP100-Z-AL
 7162 - 9SS16FP100X MP100-Z-PFA
 7163 - 9SS16FP100X MP100-Ni-V
 7164 - 9SS16FP100X MP100-Ni-AL
 7165 - 9SS16FP100X MP100-Ni-PFA

7170 - 9SS20FP125X MP125-Z-V
 7171 - 9SS20FP125X MP125-Z-AL
 7172 - 9SS20FP125X MP125-Z-PFA
 7173 - 9SS20FP125X MP125-Ni-V
 7174 - 9SS20FP125X MP125-Ni-AL
 7175 - 9SS20FP125X MP125-Ni-PFA

7183 - 9SS24FP150X MP150-Ni-V
 7184 - 9SS24FP150X MP150-Ni-AL
 7185 - 9SS24FP150X MP150-Ni-PFA

**90° Male Pipe (N.P.T.F.)
 X Male Pipe (N.P.T.F.) Page 34**

7200 - 9SS4MP25X MP25-Z-V
 7201 - 9SS4MP25X MP25-Z-AL
 7202 - 9SS4MP25X MP25-Z-PFA

ITEM DESCRIPTION

7203 - 9SS4MP25X MP25-Ni-V
 7204 - 9SS4MP25X MP25-Ni-AL
 7205 - 9SS4MP25X MP25-Ni-PFA

 7290 - 9SS4MP38X MP38-Z-V
 7291 - 9SS4MP38X MP38-Z-AL
 7292 - 9SS4MP38X MP38-Z-PFA
 7293 - 9SS4MP38X MP38-Ni-V
 7294 - 9SS4MP38X MP38-Ni-AL
 7295 - 9SS4MP38X MP38-Ni-PFA

 7210 - 9SS8MP38X MP38-Z-V
 7211 - 9SS8MP38X MP38-Z-AL
 7212 - 9SS8MP38X MP38-Z-PFA
 7213 - 9SS8MP38X MP38-Ni-V
 7214 - 9SS8MP38X MP38-Ni-AL
 7215 - 9SS8MP38X MP38-Ni-PFA

7220 - 9SS8MP38X MP50-Z-V
 7221 - 9SS8MP38X MP50-Z-AL
 7222 - 9SS8MP38X MP50-Z-PFA
 7223 - 9SS8MP38X MP50-Ni-V
 7224 - 9SS8MP38X MP50-Ni-AL
 7225 - 9SS8MP38X MP50-Ni-PFA

7230 - 9SS8MP50X MP38-Z-V
 7231 - 9SS8MP50X MP38-Z-AL
 7232 - 9SS8MP50X MP38-Z-PFA
 7233 - 9SS8MP50X MP38-Ni-V
 7234 - 9SS8MP50X MP38-Ni-AL
 7235 - 9SS8MP50X MP38-Ni-PFA

7240 - 9SS8MP50X MP50-Z-V
 7241 - 9SS8MP50X MP50-Z-AL
 7242 - 9SS8MP50X MP50-Z-PFA
 7243 - 9SS8MP50X MP50-Ni-V
 7244 - 9SS8MP50X MP50-Ni-AL
 7245 - 9SS8MP50X MP50-Ni-PFA

7250 - 9SS12MP75X MP75-Z-V
 7251 - 9SS12MP75X MP75-Z-AL
 7252 - 9SS12MP75X MP75-Z-PFA
 7253 - 9SS12MP75X MP75-Ni-V
 7254 - 9SS12MP75X MP75-Ni-AL
 7255 - 9SS12MP75X MP75-Ni-PFA

7260 - 9SS16MP100X MP100-Z-V
 7261 - 9SS16MP100X MP100-Z-AL
 7262 - 9SS16MP100X MP100-Z-PFA
 7263 - 9SS16MP100X MP100-Ni-V
 7264 - 9SS16MP100X MP100-Ni-AL
 7265 - 9SS16MP100X MP100-Ni-PFA

7270 - 9SS20MP125X MP125-Z-V
 7271 - 9SS20MP125X MP125-Z-AL
 7272 - 9SS20MP125X MP125-Z-PFA
 7273 - 9SS20MP125X MP125-Ni-V
 7274 - 9SS20MP125X MP125-Ni-AL
 7275 - 9SS20MP125X MP125-Ni-PFA

7283 - 9SS24MP150X MP150-Ni-V
 7284 - 9SS24MP150X MP150-Ni-AL
 7285 - 9SS24MP150X MP150-Ni-PFA

**90° Male (O.R.B.)
 X Male Pipe (N.P.T.F.) Page 35**

21034 - 9SS4MO4X MP25-Z-V

7300 - 9SS4MO6X MP25-Z-V
 7301 - 9SS4MO6X MP25-Z-AL
 7302 - 9SS4MO6X MP25-Z-PFA
 7303 - 9SS4MO6X MP25-Ni-V
 7304 - 9SS4MO6X MP25-Ni-AL
 7305 - 9SS4MO6X MP25-Ni-PFA

7390 - 9SS4MO6X MP38-Z-V
 7391 - 9SS4MO6X MP38-Z-AL
 7392 - 9SS4MO6X MP38-Z-PFA
 7393 - 9SS4MO6X MP38-Ni-V
 7394 - 9SS4MO6X MP38-Ni-AL
 7395 - 9SS4MO6X MP38-Ni-PFA

7310 - 9SS8MO8X MP38-Z-V
 7311 - 9SS8MO8X MP38-Z-AL
 7312 - 9SS8MO8X MP38-Z-PFA

ITEM DESCRIPTION

7313 - 9SS8MO8X MP38-Ni-V
 7314 - 9SS8MO8X MP38-Ni-AL
 7315 - 9SS8MO8X MP38-Ni-PFA

7320 - 9SS8MO8X MP50-Z-V
 7321 - 9SS8MO8X MP50-Z-AL
 7322 - 9SS8MO8X MP50-Z-PFA
 7323 - 9SS8MO8X MP50-Ni-V
 7324 - 9SS8MO8X MP50-Ni-AL
 7325 - 9SS8MO8X MP50-Ni-PFA

7330 - 9SS8MO10X MP38-Z-V
 7331 - 9SS8MO10X MP38-Z-AL
 7332 - 9SS8MO10X MP38-Z-PFA
 7333 - 9SS8MO10X MP38-Ni-V
 7334 - 9SS8MO10X MP38-Ni-AL
 7335 - 9SS8MO10X MP38-Ni-PFA

7340 - 9SS8MO10X MP50-Z-V
 7341 - 9SS8MO10X MP50-Z-AL
 7342 - 9SS8MO10X MP50-Z-PFA
 7343 - 9SS8MO10X MP50-Ni-V
 7344 - 9SS8MO10X MP50-Ni-AL
 7345 - 9SS8MO10X MP50-Ni-PFA

7350 - 9SS12MO12X MP75-Z-V
 7351 - 9SS12MO12X MP75-Z-AL
 7352 - 9SS12MO12X MP75-Z-PFA
 7353 - 9SS12MO12X MP75-Ni-V
 7354 - 9SS12MO12X MP75-Ni-AL
 7355 - 9SS12MO12X MP75-Ni-PFA

7360 - 9SS16MO16X MP100-Z-V
 7361 - 9SS16MO16X MP100-Z-AL
 7362 - 9SS16MO16X MP100-Z-PFA
 7363 - 9SS16MO16X MP100-Ni-V
 7364 - 9SS16MO16X MP100-Ni-AL
 7365 - 9SS16MO16X MP100-Ni-PFA

7370 - 9SS20MO20X MP125-Z-V
 7371 - 9SS20MO20X MP125-Z-AL
 7372 - 9SS20MO20X MP125-Z-PFA
 7373 - 9SS20MO20X MP125-Ni-V
 7374 - 9SS20MO20X MP125-Ni-AL
 7375 - 9SS20MO20X MP125-Ni-PFA

7383 - 9SS24MO24X MP150-Ni-V
 7384 - 9SS24MO24X MP150-Ni-AL
 7385 - 9SS24MO24X MP150-Ni-PFA

**90° Male (J.I.C.)
 X Male Pipe (N.P.T.F.) Page 35**

21057 - 9SS4MJ4X MP25-Z-V

7400 - 9SS4MJ6X MP25-Z-V
 7401 - 9SS4MJ6X MP25-Z-AL
 7402 - 9SS4MJ6X MP25-Z-PFA
 7403 - 9SS4MJ6X MP25-Ni-V
 7404 - 9SS4MJ6X MP25-Ni-AL
 7405 - 9SS4MJ6X MP25-Ni-PFA

7490 - 9SS4MJ6X MP38-Z-V
 7491 - 9SS4MJ6X MP38-Z-AL
 7492 - 9SS4MJ6X MP38-Z-PFA
 7493 - 9SS4MJ6X MP38-Ni-V
 7494 - 9SS4MJ6X MP38-Ni-AL
 7495 - 9SS4MJ6X MP38-Ni-PFA

7410 - 9SS8MJ8X MP38-Z-V
 7411 - 9SS8MJ8X MP38-Z-AL
 7412 - 9SS8MJ8X MP38-Z-PFA
 7413 - 9SS8MJ8X MP38-Ni-V
 7414 - 9SS8MJ8X MP38-Ni-AL
 7415 - 9SS8MJ8X MP38-Ni-PFA

7420 - 9SS8MJ8X MP50-Z-V
 7421 - 9SS8MJ8X MP50-Z-AL
 7422 - 9SS8MJ8X MP50-Z-PFA
 7423 - 9SS8MJ8X MP50-Ni-V
 7424 - 9SS8MJ8X MP50-Ni-AL
 7425 - 9SS8MJ8X MP50-Ni-PFA

7430 - 9SS8MJ10X MP38-Z-V
 7431 - 9SS8MJ10X MP38-Z-AL
 7432 - 9SS8MJ10X MP38-Z-PFA

ITEM DESCRIPTION

7433 - 9SS8MJ10X MP38-Ni-V
 7434 - 9SS8MJ10X MP38-Ni-AL
 7435 - 9SS8MJ10X MP38-Ni-PFA

7440 - 9SS8MJ10X MP50-Z-V
 7441 - 9SS8MJ10X MP50-Z-AL
 7442 - 9SS8MJ10X MP50-Z-PFA
 7443 - 9SS8MJ10X MP50-Ni-V
 7444 - 9SS8MJ10X MP50-Ni-AL
 7445 - 9SS8MJ10X MP50-Ni-PFA

7450 - 9SS12MJ12X MP75-Z-V
 7451 - 9SS12MJ12X MP75-Z-AL
 7452 - 9SS12MJ12X MP75-Z-PFA
 7453 - 9SS12MJ12X MP75-Ni-V
 7454 - 9SS12MJ12X MP75-Ni-AL
 7455 - 9SS12MJ12X MP75-Ni-PFA

7460 - 9SS16MJ16X MP100-Z-V
 7461 - 9SS16MJ16X MP100-Z-AL
 7462 - 9SS16MJ16X MP100-Z-PFA
 7463 - 9SS16MJ16X MP100-Ni-V
 7464 - 9SS16MJ16X MP100-Ni-AL
 7465 - 9SS16MJ16X MP100-Ni-PFA

7470 - 9SS20MJ20X MP125-Z-V
 7471 - 9SS20MJ20X MP125-Z-AL
 7472 - 9SS20MJ20X MP125-Z-PFA
 7473 - 9SS20MJ20X MP125-Ni-V
 7474 - 9SS20MJ20X MP125-Ni-AL
 7475 - 9SS20MJ20X MP125-Ni-PFA

7483 - 9SS24MJ24X MP150-Ni-V
 7484 - 9SS24MJ24X MP150-Ni-AL
 7485 - 9SS24MJ24X MP150-Ni-PFA

**90° Male Bulkhead (J.I.C.)
 X Male Pipe (N.P.T.F.) Page 36**

7500 - 9SS8MJB8X MP38-Z-V
 7501 - 9SS8MJB8X MP38-Z-AL
 7502 - 9SS8MJB8X MP38-Z-PFA
 7503 - 9SS8MJB8X MP38-Ni-V
 7504 - 9SS8MJB8X MP38-Ni-AL
 7505 - 9SS8MJB8X MP38-Ni-PFA

7510 - 9SS8MJB8X MP50-Z-V
 7511 - 9SS8MJB8X MP50-Z-AL
 7512 - 9SS8MJB8X MP50-Z-PFA
 7513 - 9SS8MJB8X MP50-Ni-V
 7514 - 9SS8MJB8X MP50-Ni-AL
 7515 - 9SS8MJB8X MP50-Ni-PFA

7520 - 9SS8MJB10X MP50-Z-V
 7521 - 9SS8MJB10X MP50-Z-AL
 7522 - 9SS8MJB10X MP50-Z-PFA
 7523 - 9SS8MJB10X MP50-Ni-V
 7524 - 9SS8MJB10X MP50-Ni-AL
 7525 - 9SS8MJB10X MP50-Ni-PFA

7530 - 9SS12MJB12X MP75-Z-V
 7531 - 9SS12MJB12X MP75-Z-AL
 7532 - 9SS12MJB12X MP75-Z-PFA
 7533 - 9SS12MJB12X MP75-Ni-V
 7534 - 9SS12MJB12X MP75-Ni-AL
 7535 - 9SS12MJB12X MP75-Ni-PFA

7540 - 9SS16MJB16X MP100-Z-V
 7541 - 9SS16MJB16X MP100-Z-AL
 7542 - 9SS16MJB16X MP100-Z-PFA
 7543 - 9SS16MJB16X MP100-Ni-V
 7544 - 9SS16MJB16X MP100-Ni-AL
 7545 - 9SS16MJB16X MP100-Ni-PFA

7550 - 9SS20MJB20X MP125-Z-V
 7551 - 9SS20MJB20X MP125-Z-AL
 7552 - 9SS20MJB20X MP125-Z-PFA
 7553 - 9SS20MJB20X MP125-Ni-V
 7554 - 9SS20MJB20X MP125-Ni-AL
 7555 - 9SS20MJB20X MP125-Ni-PFA

**90° Male Face Seal (M.F.S.)
 X Male Face Seal (M.F.S.) Page 39**

7600 - 9SS4MFS6X MFS6-Z-V
 7601 - 9SS4MFS6X MFS6-Z-AL

ITEM DESCRIPTION

7602 - 9SS4MFS6XMFS6-Z-PFA
 7603 - 9SS4MFS6XMFS6-NI-V
 7604 - 9SS4MFS6XMFS6-NI-AL
 7605 - 9SS4MFS6XMFS6-NI-PFA

7610 - 9SS8MFS8XMFS8-Z-V
 7611 - 9SS8MFS8XMFS8-Z-AL
 7612 - 9SS8MFS8XMFS8-Z-PFA
 7613 - 9SS8MFS8XMFS8-NI-V
 7614 - 9SS8MFS8XMFS8-NI-AL
 7615 - 9SS8MFS8XMFS8-NI-PFA

7620 - 9SS8MFS10XMFS10-Z-V
 7621 - 9SS8MFS10XMFS10-Z-AL
 7622 - 9SS8MFS10XMFS10-Z-PFA
 7623 - 9SS8MFS10XMFS10-NI-V
 7624 - 9SS8MFS10XMFS10-NI-AL
 7625 - 9SS8MFS10XMFS10-NI-PFA

7630 - 9SS12MFS12XMFS12-Z-V
 7631 - 9SS12MFS12XMFS12-Z-AL
 7632 - 9SS12MFS12XMFS12-Z-PFA
 7633 - 9SS12MFS12XMFS12-NI-V
 7634 - 9SS12MFS12XMFS12-NI-AL
 7635 - 9SS12MFS12XMFS12-NI-PFA

7640 - 9SS16MFS16XMFS16-Z-V
 7641 - 9SS16MFS16XMFS16-Z-AL
 7642 - 9SS16MFS16XMFS16-Z-PFA
 7643 - 9SS16MFS16XMFS16-NI-V
 7644 - 9SS16MFS16XMFS16-NI-AL
 7645 - 9SS16MFS16XMFS16-NI-PFA

7650 - 9SS20MFS20XMFS20-Z-V
 7651 - 9SS20MFS20XMFS20-Z-AL
 7652 - 9SS20MFS20XMFS20-Z-PFA
 7653 - 9SS20MFS20XMFS20-NI-V
 7654 - 9SS20MFS20XMFS20-NI-AL
 7655 - 9SS20MFS20XMFS20-NI-PFA

7663 - 9SS24MFS24XMFS24-NI-V
 7664 - 9SS24MFS24XMFS24-NI-AL
 7665 - 9SS24MFS24XMFS24-NI-PFA

**90° Female Face Seal (F.F.S.)
 X Male Face Seal (M.F.S.) Page 40**

7700 - 9SS4FFS6XMFS6-Z-V
 7701 - 9SS4FFS6XMFS6-Z-AL
 7702 - 9SS4FFS6XMFS6-Z-PFA
 7703 - 9SS4FFS6XMFS6-NI-V
 7704 - 9SS4FFS6XMFS6-NI-AL
 7705 - 9SS4FFS6XMFS6-NI-PFA

7710 - 9SS8FFS8XMFS8-Z-V
 7711 - 9SS8FFS8XMFS8-Z-AL
 7712 - 9SS8FFS8XMFS8-Z-PFA
 7713 - 9SS8FFS8XMFS8-NI-V
 7714 - 9SS8FFS8XMFS8-NI-AL
 7715 - 9SS8FFS8XMFS8-NI-PFA

7720 - 9SS8FFS10XMFS10-Z-V
 7721 - 9SS8FFS10XMFS10-Z-AL
 7722 - 9SS8FFS10XMFS10-Z-PFA
 7723 - 9SS8FFS10XMFS10-NI-V
 7724 - 9SS8FFS10XMFS10-NI-AL
 7725 - 9SS8FFS10XMFS10-NI-PFA

7730 - 9SS12FFS12XMFS12-Z-V
 7731 - 9SS12FFS12XMFS12-Z-AL
 7732 - 9SS12FFS12XMFS12-Z-PFA
 7733 - 9SS12FFS12XMFS12-NI-V
 7734 - 9SS12FFS12XMFS12-NI-AL
 7735 - 9SS12FFS12XMFS12-NI-PFA

7740 - 9SS16FFS16XMFS16-Z-V
 7741 - 9SS16FFS16XMFS16-Z-AL
 7742 - 9SS16FFS16XMFS16-Z-PFA
 7743 - 9SS16FFS16XMFS16-NI-V
 7744 - 9SS16FFS16XMFS16-NI-AL
 7745 - 9SS16FFS16XMFS16-NI-PFA

7750 - 9SS20FFS20XMFS20-Z-V
 7751 - 9SS20FFS20XMFS20-Z-AL
 7752 - 9SS20FFS20XMFS20-Z-PFA
 7753 - 9SS20FFS20XMFS20-NI-V

ITEM DESCRIPTION

7754 - 9SS20FFS20XMFS20-NI-AL
 7755 - 9SS20FFS20XMFS20-NI-PFA

7763 - 9SS24FFS24XMFS24-NI-V
 7764 - 9SS24FFS24XMFS24-NI-AL
 7765 - 9SS24FFS24XMFS24-NI-PFA

**90° Male Face Seal Bulkhead (M.F.S.B.)
 X Male Face Seal (M.F.S.) Page 40**

7800 - 9SS4MFSB6XMFS6-Z-V
 7801 - 9SS4MFSB6XMFS6-Z-AL
 7802 - 9SS4MFSB6XMFS6-Z-PFA
 7803 - 9SS4MFSB6XMFS6-NI-V
 7804 - 9SS4MFSB6XMFS6-NI-AL
 7805 - 9SS4MFSB6XMFS6-NI-PFA

7810 - 9SS8MFSB8XMFS8-Z-V
 7811 - 9SS8MFSB8XMFS8-Z-AL
 7812 - 9SS8MFSB8XMFS8-Z-PFA
 7813 - 9SS8MFSB8XMFS8-NI-V
 7814 - 9SS8MFSB8XMFS8-NI-AL
 7815 - 9SS8MFSB8XMFS8-NI-PFA

7820 - 9SS8MFSB10XMFS10-Z-V
 7821 - 9SS8MFSB10XMFS10-Z-AL
 7822 - 9SS8MFSB10XMFS10-Z-PFA
 7823 - 9SS8MFSB10XMFS10-NI-V
 7824 - 9SS8MFSB10XMFS10-NI-AL
 7825 - 9SS8MFSB10XMFS10-NI-PFA

7830 - 9SS12MFSB12XMFS12-Z-V
 7831 - 9SS12MFSB12XMFS12-Z-AL
 7832 - 9SS12MFSB12XMFS12-Z-PFA
 7833 - 9SS12MFSB12XMFS12-NI-V
 7834 - 9SS12MFSB12XMFS12-NI-AL
 7835 - 9SS12MFSB12XMFS12-NI-PFA

7840 - 9SS16MFSB16XMFS16-Z-V
 7841 - 9SS16MFSB16XMFS16-Z-AL
 7842 - 9SS16MFSB16XMFS16-Z-PFA
 7843 - 9SS16MFSB16XMFS16-NI-V
 7844 - 9SS16MFSB16XMFS16-NI-AL
 7845 - 9SS16MFSB16XMFS16-NI-PFA

7850 - 9SS20MFSB20XMFS20-Z-V
 7851 - 9SS20MFSB20XMFS20-Z-AL
 7852 - 9SS20MFSB20XMFS20-Z-PFA
 7853 - 9SS20MFSB20XMFS20-NI-V
 7854 - 9SS20MFSB20XMFS20-NI-AL
 7855 - 9SS20MFSB20XMFS20-NI-PFA

**90° Male Bulkhead (J.I.C.)
 X Male (J.I.C.) Page 33**

8010 - 9SS8MJB8XMJ8-Z-V
 8011 - 9SS8MJB8XMJ8-Z-AL
 8012 - 9SS8MJB8XMJ8-Z-PFA
 8013 - 9SS8MJB8XMJ8-NI-V
 8014 - 9SS8MJB8XMJ8-NI-AL
 8015 - 9SS8MJB8XMJ8-NI-PFA

8020 - 9SS8MJB10XMJ10-Z-V
 8021 - 9SS8MJB10XMJ10-Z-AL
 8022 - 9SS8MJB10XMJ10-Z-PFA
 8023 - 9SS8MJB10XMJ10-NI-V
 8024 - 9SS8MJB10XMJ10-NI-AL
 8025 - 9SS8MJB10XMJ10-NI-PFA

8030 - 9SS12MJB12XMJ12-Z-V
 8031 - 9SS12MJB12XMJ12-Z-AL
 8032 - 9SS12MJB12XMJ12-Z-PFA
 8033 - 9SS12MJB12XMJ12-NI-V
 8034 - 9SS12MJB12XMJ12-NI-AL
 8035 - 9SS12MJB12XMJ12-NI-PFA

8040 - 9SS16MJB16XMJ16-Z-V
 8041 - 9SS16MJB16XMJ16-Z-AL
 8042 - 9SS16MJB16XMJ16-Z-PFA
 8043 - 9SS16MJB16XMJ16-NI-V
 8044 - 9SS16MJB16XMJ16-NI-AL
 8045 - 9SS16MJB16XMJ16-NI-PFA

8050 - 9SS20MJB20XMJ20-Z-V
 8051 - 9SS20MJB20XMJ20-Z-AL
 8052 - 9SS20MJB20XMJ20-Z-PFA
 8053 - 9SS20MJB20XMJ20-NI-V

ITEM DESCRIPTION

8054 - 9SS20MJB20XMJ20-Ni-AL
 8055 - 9SS20MJB20XMJ20-Ni-PFA

**90° Male (J.I.C.)
 X Male Face Seal (M.F.S.) Page 38**

21036 - 9SS4MJ4XMFS4-Z-V
 8200 - 9SS4MJ6XMFS6-Z-V
 8201 - 9SS4MJ6XMFS6-Z-AL
 8202 - 9SS4MJ6XMFS6-Z-PFA
 8203 - 9SS4MJ6XMFS6-Ni-V
 8204 - 9SS4MJ6XMFS6-Ni-AL
 8205 - 9SS4MJ6XMFS6-Ni-PFA

8210 - 9SS8MJ8XMFS6-Z-V
 8211 - 9SS8MJ8XMFS6-Z-AL
 8212 - 9SS8MJ8XMFS6-Z-PFA
 8213 - 9SS8MJ8XMFS6-Ni-V
 8214 - 9SS8MJ8XMFS6-Ni-AL
 8215 - 9SS8MJ8XMFS6-Ni-PFA

8220 - 9SS8MJ8XMFS8-Z-V
 8221 - 9SS8MJ8XMFS8-Z-AL
 8222 - 9SS8MJ8XMFS8-Z-PFA
 8223 - 9SS8MJ8XMFS8-Ni-V
 8224 - 9SS8MJ8XMFS8-Ni-AL
 8225 - 9SS8MJ8XMFS8-Ni-PFA

8230 - 9SS8MJ8XMFS10-Z-V
 8231 - 9SS8MJ8XMFS10-Z-AL
 8232 - 9SS8MJ8XMFS10-Z-PFA
 8233 - 9SS8MJ8XMFS10-Ni-V
 8234 - 9SS8MJ8XMFS10-Ni-AL
 8235 - 9SS8MJ8XMFS10-Ni-PFA

8240 - 9SS8MJ10XMFS8-Z-V
 8241 - 9SS8MJ10XMFS8-Z-AL
 8242 - 9SS8MJ10XMFS8-Z-PFA
 8243 - 9SS8MJ10XMFS8-Ni-V
 8244 - 9SS8MJ10XMFS8-Ni-AL
 8245 - 9SS8MJ10XMFS8-Ni-PFA

8250 - 9SS8MJ10XMFS10-Z-V
 8251 - 9SS8MJ10XMFS10-Z-AL
 8252 - 9SS8MJ10XMFS10-Z-PFA
 8253 - 9SS8MJ10XMFS10-Ni-V
 8254 - 9SS8MJ10XMFS10-Ni-AL
 8255 - 9SS8MJ10XMFS10-Ni-PFA

8260 - 9SS12MJ12XMFS12-Z-V
 8261 - 9SS12MJ12XMFS12-Z-AL
 8262 - 9SS12MJ12XMFS12-Z-PFA
 8263 - 9SS12MJ12XMFS12-Ni-V
 8264 - 9SS12MJ12XMFS12-Ni-AL
 8265 - 9SS12MJ12XMFS12-Ni-PFA

8270 - 9SS16MJ16XMFS16-Z-V
 8271 - 9SS16MJ16XMFS16-Z-AL
 8272 - 9SS16MJ16XMFS16-Z-PFA
 8273 - 9SS16MJ16XMFS16-Ni-V
 8274 - 9SS16MJ16XMFS16-Ni-AL
 8275 - 9SS16MJ16XMFS16-Ni-PFA

8280 - 9SS20MJ20XMFS20-Z-V
 8281 - 9SS20MJ20XMFS20-Z-AL
 8282 - 9SS20MJ20XMFS20-Z-PFA
 8283 - 9SS20MJ20XMFS20-Ni-V
 8284 - 9SS20MJ20XMFS20-Ni-AL
 8285 - 9SS20MJ20XMFS20-Ni-PFA

8293 - 9SS24MJ24XMFS24-Ni-V
 8294 - 9SS24MJ24XMFS24-Ni-AL
 8295 - 9SS24MJ24XMFS24-Ni-PFA

**90° Male Bulkhead (J.I.C.)
 X Male Face Seal (M.F.S.) Page 38**

8300 - 9SS8MJB8XMFS6-Z-V
 8301 - 9SS8MJB8XMFS6-Z-AL
 8302 - 9SS8MJB8XMFS6-Z-PFA
 8303 - 9SS8MJB8XMFS6-Ni-V
 8304 - 9SS8MJB8XMFS6-Ni-AL
 8305 - 9SS8MJB8XMFS6-Ni-PFA

8310 - 9SS8MJB8XMFS8-Z-V
 8311 - 9SS8MJB8XMFS8-Z-AL
 8312 - 9SS8MJB8XMFS8-Z-PFA

ITEM DESCRIPTION

8313 - 9SS8MJB8XMFS8-Ni-V
 8314 - 9SS8MJB8XMFS8-Ni-AL
 8315 - 9SS8MJB8XMFS8-Ni-PFA

8320 - 9SS8MJB8XMFS10-Z-V
 8321 - 9SS8MJB8XMFS10-Z-AL
 8322 - 9SS8MJB8XMFS10-Z-PFA

8323 - 9SS8MJB8XMFS10-Ni-V
 8324 - 9SS8MJB8XMFS10-Ni-AL
 8325 - 9SS8MJB8XMFS10-Ni-PFA

8330 - 9SS8MJB10XMFS6-Z-V
 8331 - 9SS8MJB10XMFS6-Z-AL
 8332 - 9SS8MJB10XMFS6-Z-PFA
 8333 - 9SS8MJB10XMFS6-Ni-V
 8334 - 9SS8MJB10XMFS6-Ni-AL
 8335 - 9SS8MJB10XMFS6-Ni-PFA

8340 - 9SS8MJB10XMFS8-Z-V
 8341 - 9SS8MJB10XMFS8-Z-AL
 8342 - 9SS8MJB10XMFS8-Z-PFA
 8343 - 9SS8MJB10XMFS8-Ni-V
 8344 - 9SS8MJB10XMFS8-Ni-AL
 8345 - 9SS8MJB10XMFS8-Ni-PFA

8350 - 9SS8MJB10XMFS10-Z-V
 8351 - 9SS8MJB10XMFS10-Z-AL
 8352 - 9SS8MJB10XMFS10-Z-PFA
 8353 - 9SS8MJB10XMFS10-Ni-V
 8354 - 9SS8MJB10XMFS10-Ni-AL
 8355 - 9SS8MJB10XMFS10-Ni-PFA

8360 - 9SS12MJB12XMFS12-Z-V
 8361 - 9SS12MJB12XMFS12-Z-AL
 8362 - 9SS12MJB12XMFS12-Z-PFA
 8363 - 9SS12MJB12XMFS12-Ni-V
 8364 - 9SS12MJB12XMFS12-Ni-AL
 8365 - 9SS12MJB12XMFS12-Ni-PFA

8370 - 9SS16MJB16XMFS16-Z-V
 8371 - 9SS16MJB16XMFS16-Z-AL
 8372 - 9SS16MJB16XMFS16-Z-PFA
 8373 - 9SS16MJB16XMFS16-Ni-V
 8374 - 9SS16MJB16XMFS16-Ni-AL
 8375 - 9SS16MJB16XMFS16-Ni-PFA

8380 - 9SS20MJB20XMFS20-Z-V
 8381 - 9SS20MJB20XMFS20-Z-AL
 8382 - 9SS20MJB20XMFS20-Z-PFA
 8383 - 9SS20MJB20XMFS20-Ni-V
 8384 - 9SS20MJB20XMFS20-Ni-AL
 8385 - 9SS20MJB20XMFS20-Ni-PFA

**90° Female Pipe (N.P.T.)
 X Male Face Seal (M.F.S.) Page 37**

8400 - 9SS4FP25XMFS6-Z-V
 8401 - 9SS4FP25XMFS6-Z-AL
 8402 - 9SS4FP25XMFS6-Z-PFA
 8403 - 9SS4FP25XMFS6-Ni-V
 8404 - 9SS4FP25XMFS6-Ni-AL
 8405 - 9SS4FP25XMFS6-Ni-PFA

8410 - 9SS8FP38XMFS6-Z-V
 8411 - 9SS8FP38XMFS6-Z-AL
 8412 - 9SS8FP38XMFS6-Z-PFA
 8413 - 9SS8FP38XMFS6-Ni-V
 8414 - 9SS8FP38XMFS6-Ni-AL
 8415 - 9SS8FP38XMFS6-Ni-PFA

8420 - 9SS8FP38XMFS8-Z-V
 8421 - 9SS8FP38XMFS8-Z-AL
 8422 - 9SS8FP38XMFS8-Z-PFA
 8423 - 9SS8FP38XMFS8-Ni-V
 8424 - 9SS8FP38XMFS8-Ni-AL
 8425 - 9SS8FP38XMFS8-Ni-PFA

8430 - 9SS8FP50XMFS8-Z-V
 8431 - 9SS8FP50XMFS8-Z-AL
 8432 - 9SS8FP50XMFS8-Z-PFA
 8433 - 9SS8FP50XMFS8-Ni-V
 8434 - 9SS8FP50XMFS8-Ni-AL
 8435 - 9SS8FP50XMFS8-Ni-PFA

ITEM DESCRIPTION

8440 - 9SS8FP50XMFS10-Z-V
 8441 - 9SS8FP50XMFS10-Z-AL
 8442 - 9SS8FP50XMFS10-Z-PFA
 8443 - 9SS8FP50XMFS10-Ni-V
 8444 - 9SS8FP50XMFS10-Ni-AL
 8445 - 9SS8FP50XMFS10-Ni-PFA

8450 - 9SS12FP75XMFS12-Z-V
 8451 - 9SS12FP75XMFS12-Z-AL
 8452 - 9SS12FP75XMFS12-Z-PFA
 8453 - 9SS12FP75XMFS12-Ni-V
 8454 - 9SS12FP75XMFS12-Ni-AL
 8455 - 9SS12FP75XMFS12-Ni-PFA

8460 - 9SS16FP100XMFS16-Z-V
 8461 - 9SS16FP100XMFS16-Z-AL
 8462 - 9SS16FP100XMFS16-Z-PFA
 8463 - 9SS16FP100XMFS16-Ni-V
 8464 - 9SS16FP100XMFS16-Ni-AL
 8465 - 9SS16FP100XMFS16-Ni-PFA

8470 - 9SS20FP125XMFS20-Z-V
 8471 - 9SS20FP125XMFS20-Z-AL
 8472 - 9SS20FP125XMFS20-Z-PFA
 8473 - 9SS20FP125XMFS20-Ni-V
 8474 - 9SS20FP125XMFS20-Ni-AL
 8475 - 9SS20FP125XMFS20-Ni-PFA

8483 - 9SS24FP150XMFS24-Ni-V
 8484 - 9SS24FP150XMFS24-Ni-AL
 8485 - 9SS24FP150XMFS24-Ni-PFA

**90° Male Pipe (N.P.T.F.)
 X Male Face Seal (M.F.S.) Page 37**

8500 - 9SS4MP25XMFS6-Z-V
 8501 - 9SS4MP25XMFS6-Z-AL
 8502 - 9SS4MP25XMFS6-Z-PFA
 8503 - 9SS4MP25XMFS6-Ni-V
 8504 - 9SS4MP25XMFS6-Ni-AL
 8505 - 9SS4MP25XMFS6-Ni-PFA

8510 - 9SS4MP38XMFS6-Z-V
 8511 - 9SS4MP38XMFS6-Z-AL
 8512 - 9SS4MP38XMFS6-Z-PFA
 8513 - 9SS4MP38XMFS6-Ni-V
 8514 - 9SS4MP38XMFS6-Ni-AL
 8515 - 9SS4MP38XMFS6-Ni-PFA

8520 - 9SS8MP38XMFS6-Z-V
 8521 - 9SS8MP38XMFS6-Z-AL
 8522 - 9SS8MP38XMFS6-Z-PFA
 8523 - 9SS8MP38XMFS6-Ni-V
 8524 - 9SS8MP38XMFS6-Ni-AL
 8525 - 9SS8MP38XMFS6-Ni-PFA

8530 - 9SS8MP38XMFS8-Z-V
 8531 - 9SS8MP38XMFS8-Z-AL
 8532 - 9SS8MP38XMFS8-Z-PFA
 8533 - 9SS8MP38XMFS8-Ni-V
 8534 - 9SS8MP38XMFS8-Ni-AL
 8535 - 9SS8MP38XMFS8-Ni-PFA

8540 - 9SS8MP50XMFS8-Z-V
 8541 - 9SS8MP50XMFS8-Z-AL
 8542 - 9SS8MP50XMFS8-Z-PFA
 8543 - 9SS8MP50XMFS8-Ni-V
 8544 - 9SS8MP50XMFS8-Ni-AL
 8545 - 9SS8MP50XMFS8-Ni-PFA

8550 - 9SS8MP50XMFS10-Z-V
 8551 - 9SS8MP50XMFS10-Z-AL
 8552 - 9SS8MP50XMFS10-Z-PFA
 8553 - 9SS8MP50XMFS10-Ni-V
 8554 - 9SS8MP50XMFS10-Ni-AL
 8555 - 9SS8MP50XMFS10-Ni-PFA

8560 - 9SS12MP75XMFS12-Z-V
 8561 - 9SS12MP75XMFS12-Z-AL
 8562 - 9SS12MP75XMFS12-Z-PFA
 8563 - 9SS12MP75XMFS12-Ni-V
 8564 - 9SS12MP75XMFS12-Ni-AL
 8565 - 9SS12MP75XMFS12-Ni-PFA

ITEM DESCRIPTION

8570 - 9SS16MP100XMFS16-Z-V
 8571 - 9SS16MP100XMFS16-Z-AL
 8572 - 9SS16MP100XMFS16-Z-PFA
 8573 - 9SS16MP100XMFS16-Ni-V
 8574 - 9SS16MP100XMFS16-Ni-AL
 8575 - 9SS16MP100XMFS16-Ni-PFA

8580 - 9SS20MP125XMFS20-Z-V
 8581 - 9SS20MP125XMFS20-Z-AL
 8582 - 9SS20MP125XMFS20-Z-PFA
 8583 - 9SS20MP125XMFS20-Ni-V
 8584 - 9SS20MP125XMFS20-Ni-AL
 8585 - 9SS20MP125XMFS20-Ni-PFA

8593 - 9SS24MP150XMFS24-Ni-V
 8594 - 9SS24MP150XMFS24-Ni-AL
 8595 - 9SS24MP150XMFS24-Ni-PFA

**90° Male (O.R.B.)
 X Male Face Seal (M.F.S.) Page 39**

21037 - 9SS4MO4XMFS4-Z-V

8600 - 9SS4MO6XMFS6-Z-V
 8601 - 9SS4MO6XMFS6-Z-AL
 8602 - 9SS4MO6XMFS6-Z-PFA
 8603 - 9SS4MO6XMFS6-Ni-V
 8604 - 9SS4MO6XMFS6-Ni-AL
 8605 - 9SS4MO6XMFS6-Ni-PFA

8610 - 9SS8MO8XMFS6-Z-V
 8611 - 9SS8MO8XMFS6-Z-AL
 8612 - 9SS8MO8XMFS6-Z-PFA
 8613 - 9SS8MO8XMFS6-Ni-V
 8614 - 9SS8MO8XMFS6-Ni-AL
 8615 - 9SS8MO8XMFS6-Ni-PFA

8620 - 9SS8MO8XMFS8-Z-V
 8621 - 9SS8MO8XMFS8-Z-AL
 8622 - 9SS8MO8XMFS8-Z-PFA
 8623 - 9SS8MO8XMFS8-Ni-V
 8624 - 9SS8MO8XMFS8-Ni-AL
 8625 - 9SS8MO8XMFS8-Ni-PFA

8630 - 9SS8MO8XMFS10-Z-V
 8631 - 9SS8MO8XMFS10-Z-AL
 8632 - 9SS8MO8XMFS10-Z-PFA
 8633 - 9SS8MO8XMFS10-Ni-V
 8634 - 9SS8MO8XMFS10-Ni-AL
 8635 - 9SS8MO8XMFS10-Ni-PFA

8640 - 9SS8MO10XMFS8-Z-V
 8641 - 9SS8MO10XMFS8-Z-AL
 8642 - 9SS8MO10XMFS8-Z-PFA
 8643 - 9SS8MO10XMFS8-Ni-V
 8644 - 9SS8MO10XMFS8-Ni-AL
 8645 - 9SS8MO10XMFS8-Ni-PFA

8650 - 9SS8MO10XMFS10-Z-V
 8651 - 9SS8MO10XMFS10-Z-AL
 8652 - 9SS8MO10XMFS10-Z-PFA
 8653 - 9SS8MO10XMFS10-Ni-V
 8654 - 9SS8MO10XMFS10-Ni-AL
 8655 - 9SS8MO10XMFS10-Ni-PFA

8660 - 9SS12MO12XMFS12-Z-V
 8661 - 9SS12MO12XMFS12-Z-AL
 8662 - 9SS12MO12XMFS12-Z-PFA
 8663 - 9SS12MO12XMFS12-Ni-V
 8664 - 9SS12MO12XMFS12-Ni-AL
 8665 - 9SS12MO12XMFS12-Ni-PFA

8670 - 9SS16MO16XMFS16-Z-V
 8671 - 9SS16MO16XMFS16-Z-AL
 8672 - 9SS16MO16XMFS16-Z-PFA
 8673 - 9SS16MO16XMFS16-Ni-V
 8674 - 9SS16MO16XMFS16-Ni-AL
 8675 - 9SS16MO16XMFS16-Ni-PFA

8680 - 9SS20MO20XMFS20-Z-V
 8681 - 9SS20MO20XMFS20-Z-AL
 8682 - 9SS20MO20XMFS20-Z-PFA
 8683 - 9SS20MO20XMFS20-Ni-V
 8684 - 9SS20MO20XMFS20-Ni-AL
 8685 - 9SS20MO20XMFS20-Ni-PFA

ITEM DESCRIPTION

8693 - 9SS24MO24XMFS24-Ni-V
 8694 - 9SS24MO24XMFS24-Ni-AL
 8695 - 9SS24MO24XMFS24-Ni-PFA

**90° FEMALE PIPE (N.P.T.F.) X
 FEMALE (J.I.C.) SWIVEL NUT Page 41**

8100 - 9SS4FP25XFJS4-Z-V
 8101 - 9SS4FP25XFJS4-Z-AL
 8102 - 9SS4FP25XFJS4-Z-PFA
 8103 - 9SS4FP25XFJS4-Ni-V
 8104 - 9SS4FP25XFJS4-Ni-AL
 8105 - 9SS4FP25XFJS4-Ni-PFA

8110 - 9SS4FP25XFJS6-Z-V
 8111 - 9SS4FP25XFJS6-Z-AL
 8112 - 9SS4FP25XFJS6-Z-PFA
 8113 - 9SS4FP25XFJS6-Ni-V
 8114 - 9SS4FP25XFJS6-Ni-AL
 8115 - 9SS4FP25XFJS6-Ni-PFA

8120 - 9SS8FP38XFJS6-Z-V
 8121 - 9SS8FP38XFJS6-Z-AL
 8122 - 9SS8FP38XFJS6-Z-PFA
 8123 - 9SS8FP38XFJS6-Ni-V
 8124 - 9SS8FP38XFJS6-Ni-AL
 8125 - 9SS8FP38XFJS6-Ni-AL

8130 - 9SS8FP50XFJS8-Z-V
 8131 - 9SS8FP50XFJS8-Z-AL
 8132 - 9SS8FP50XFJS8-Z-PFA
 8133 - 9SS8FP50XFJS8-Ni-V
 8134 - 9SS8FP50XFJS8-Ni-AL
 8135 - 9SS8FP50XFJS8-Ni-PFA

8140 - 9SS8FP50XFJS10-Z-V
 8141 - 9SS8FP50XFJS10-Z-AL
 8142 - 9SS8FP50XFJS10-Z-PFA
 8143 - 9SS8FP50XFJS10-Ni-V
 8144 - 9SS8FP50XFJS10-Ni-AL
 8145 - 9SS8FP50XFJS10-Ni-PFA

8150 - 9SS12FP75XFJS12-Z-V
 8151 - 9SS12FP75XFJS12-Z-AL
 8152 - 9SS12FP75XFJS12-Z-PFA
 8153 - 9SS12FP75XFJS12-Ni-V
 8154 - 9SS12FP75XFJS12-Ni-AL
 8155 - 9SS12FP75XFJS12-Ni-PFA

8160 - 9SS16FP100XFJS16-Z-V
 8161 - 9SS16FP100XFJS16-Z-AL
 8162 - 9SS16FP100XFJS16-Z-PFA
 8163 - 9SS16FP100XFJS16-Ni-V
 8164 - 9SS16FP100XFJS16-Ni-AL
 8165 - 9SS16FP100XFJS16-Ni-PFA

8170 - 9SS20FP125XFJS20-Z-V
 8171 - 9SS20FP125XFJS20-Z-AL
 8172 - 9SS20FP125XFJS20-Z-PFA
 8173 - 9SS20FP125XFJS20-Ni-V
 8174 - 9SS20FP125XFJS20-Ni-AL
 8175 - 9SS20FP125XFJS20-Ni-PFA

8183 - 9SS24FP150XFJS24-Ni-V
 8184 - 9SS24FP150XFJS24-Ni-AL
 8185 - 9SS24FP150XFJS24-Ni-PFA

**90° MALE PIPE (N.P.T.F.) X FEMALE
 (J.I.C.) SWIVEL NUT Page 41**

8700 - 9SS4MP25XFJS4-Z-V
 8701 - 9SS4MP25XFJS4-Z-AL
 8702 - 9SS4MP25XFJS4-Z-PFA
 8703 - 9SS4MP25XFJS4-Ni-V
 8704 - 9SS4MP25XFJS4-Ni-AL
 8705 - 9SS4MP25XFJS4-Ni-PFA

8710 - 9SS4MP25XFJS6-Z-V
 8711 - 9SS4MP25XFJS6-Z-AL
 8712 - 9SS4MP25XFJS6-Z-PFA
 8713 - 9SS4MP25XFJS6-Ni-V
 8714 - 9SS4MP25XFJS6-Ni-AL
 8715 - 9SS4MP25XFJS6-Ni-PFA

ITEM DESCRIPTION

8720 - 9SS4MP38XFJS6-Z-V
 8721 - 9SS4MP38XFJS6-Z-AL
 8722 - 9SS4MP38XFJS6-Z-PFA
 8723 - 9SS4MP38XFJS6-Ni-V
 8724 - 9SS4MP38XFJS6-Ni-AL
 8725 - 9SS4MP38XFJS6-Ni-PFA

8730 - 9SS8MP50XFJS8-Z-V
 8731 - 9SS8MP50XFJS8-Z-AL
 8732 - 9SS8MP50XFJS8-Z-PFA
 8733 - 9SS8MP50XFJS8-Ni-V
 8734 - 9SS8MP50XFJS8-Ni-AL
 8735 - 9SS8MP50XFJS8-Ni-PFA

8740 - 9SS8MP50XFJS10-Z-V
 8741 - 9SS8MP50XFJS10-Z-AL
 8742 - 9SS8MP50XFJS10-Z-PFA
 8743 - 9SS8MP50XFJS10-Ni-V
 8744 - 9SS8MP50XFJS10-Ni-AL
 8745 - 9SS8MP50XFJS10-Ni-PFA

8750 - 9SS12MP75XFJS12-Z-V
 8751 - 9SS12MP75XFJS12-Z-AL
 8752 - 9SS12MP75XFJS12-Z-PFA
 8753 - 9SS12MP75XFJS12-Ni-V
 8754 - 9SS12MP75XFJS12-Ni-AL
 8755 - 9SS12MP75XFJS12-Ni-PFA

8760 - 9SS16MP100XFJS16-Z-V
 8761 - 9SS16MP100XFJS16-Z-AL
 8762 - 9SS16MP100XFJS16-Z-PFA
 8763 - 9SS16MP100XFJS16-Ni-V
 8764 - 9SS16MP100XFJS16-Ni-AL
 8765 - 9SS16MP100XFJS16-Ni-PFA

8770 - 9SS20MP125XFJS20-Z-V
 8771 - 9SS20MP125XFJS20-Z-AL
 8772 - 9SS20MP125XFJS20-Z-PFA
 8773 - 9SS20MP125XFJS20-Ni-V
 8774 - 9SS20MP125XFJS20-Ni-AL
 8775 - 9SS20MP125XFJS20-Ni-PFA

8783 - 9SS24MP150XFJS24-Ni-V
 8784 - 9SS24MP150XFJS24-Ni-AL
 8785 - 9SS24MP150XFJS24-Ni-PFA

**90° MALE (O.R.B.) X FEMALE
 (J.I.C.) SWIVEL NUT Page 42**

8800 - 9SS4MO4XFJS4-Z-V
 8801 - 9SS4MO4XFJS4-Z-AL
 8802 - 9SS4MO4XFJS4-Z-PFA
 8803 - 9SS4MO4XFJS4-Ni-V
 8804 - 9SS4MO4XFJS4-Ni-AL
 8805 - 9SS4MO4XFJS4-Ni-PFA

8810 - 9SS4MO6XFJS6-Z-V
 8811 - 9SS4MO6XFJS6-Z-AL
 8812 - 9SS4MO6XFJS6-Z-PFA
 8813 - 9SS4MO6XFJS6-Ni-V
 8814 - 9SS4MO6XFJS6-Ni-AL
 8815 - 9SS4MO6XFJS6-Ni-PFA

8820 - 9SS8MO8XFJS8-Z-V
 8821 - 9SS8MO8XFJS8-Z-AL
 8822 - 9SS8MO8XFJS8-Z-PFA
 8823 - 9SS8MO8XFJS8-Ni-V
 8824 - 9SS8MO8XFJS8-Ni-AL
 8825 - 9SS8MO8XFJS8-Ni-PFA

8830 - 9SS8MO10XFJS8-Z-V
 8831 - 9SS8MO10XFJS8-Z-AL
 8832 - 9SS8MO10XFJS8-Z-PFA
 8833 - 9SS8MO10XFJS8-Ni-V
 8834 - 9SS8MO10XFJS8-Ni-AL
 8835 - 9SS8MO10XFJS8-Ni-PFA

8840 - 9SS8MO8XFJS10-Z-V
 8841 - 9SS8MO8XFJS10-Z-AL
 8842 - 9SS8MO8XFJS10-Z-PFA
 8843 - 9SS8MO8XFJS10-Ni-V
 8844 - 9SS8MO8XFJS10-Ni-AL
 8845 - 9SS8MO8XFJS10-Ni-PFA

ITEM DESCRIPTION

8850 - 9SS8MO10XFJS10-Z-V
 8851 - 9SS8MO10XFJS10-Z-AL
 8852 - 9SS8MO10XFJS10-Z-PFA
 8853 - 9SS8MO10XFJS10-NI-V
 8854 - 9SS8MO10XFJS10-NI-AL
 8855 - 9SS8MO10XFJS10-NI-PFA

8860 - 9SS12MO12XFJS12-Z-V
 8861 - 9SS12MO12XFJS12-Z-AL
 8862 - 9SS12MO12XFJS12-Z-PFA
 8863 - 9SS12MO12XFJS12-NI-V
 8864 - 9SS12MO12XFJS12-NI-AL
 8865 - 9SS12MO12XFJS12-NI-PFA

8870 - 9SS16MO16XFJS16-Z-V
 8871 - 9SS16MO16XFJS16-Z-AL
 8872 - 9SS16MO16XFJS16-Z-PFA
 8873 - 9SS16MO16XFJS16-NI-V
 8874 - 9SS16MO16XFJS16-NI-AL
 8875 - 9SS16MO16XFJS16-NI-PFA

8880 - 9SS20MO20XFJS20-Z-V
 8881 - 9SS20MO20XFJS20-Z-AL
 8882 - 9SS20MO20XFJS20-Z-PFA
 8883 - 9SS20MO20XFJS20-NI-V
 8884 - 9SS20MO20XFJS20-NI-AL
 8885 - 9SS20MO20XFJS20-NI-PFA

8893 - 9SS24MO24XFJS24-NI-V
 8894 - 9SS24MO24XFJS24-NI-AL
 8895 - 9SS24MO24XFJS24-NI-PFA

90° MALE (J.I.C.) X FEMALE (J.I.C.) SWIVEL NUT Page 42

8900 - 9SS4MJ4XFJS4-Z-V
 8901 - 9SS4MJ4XFJS4-Z-AL
 8902 - 9SS4MJ4XFJS4-Z-PFA
 8903 - 9SS4MJ4XFJS4-NI-V
 8904 - 9SS4MJ4XFJS4-NI-AL
 8905 - 9SS4MJ4XFJS4-NI-PFA

8910 - 9SS4MJ6XFJS6-Z-V
 8911 - 9SS4MJ6XFJS6-Z-AL
 8912 - 9SS4MJ6XFJS6-Z-PFA
 8913 - 9SS4MJ6XFJS6-NI-V
 8914 - 9SS4MJ6XFJS6-NI-AL
 8915 - 9SS4MJ6XFJS6-NI-PFA

8920 - 9SS8MJ8XFJS8-Z-V
 8921 - 9SS8MJ8XFJS8-Z-AL
 8922 - 9SS8MJ8XFJS8-Z-PFA
 8923 - 9SS8MJ8XFJS8-NI-V
 8924 - 9SS8MJ8XFJS8-NI-AL
 8925 - 9SS8MJ8XFJS8-NI-PFA

8930 - 9SS8MJ10XFJS8-Z-V
 8931 - 9SS8MJ10XFJS8-Z-AL
 8932 - 9SS8MJ10XFJS8-Z-PFA
 8933 - 9SS8MJ10XFJS8-NI-V
 8934 - 9SS8MJ10XFJS8-NI-AL
 8935 - 9SS8MJ10XFJS8-NI-PFA

8940 - 9SS8MJ8XFJS10-Z-V
 8941 - 9SS8MJ8XFJS10-Z-AL
 8942 - 9SS8MJ8XFJS10-Z-PFA
 8943 - 9SS8MJ8XFJS10-NI-V
 8944 - 9SS8MJ8XFJS10-NI-AL
 8945 - 9SS8MJ8XFJS10-NI-PFA

8950 - 9SS8MJ10XFJS10-Z-V
 8951 - 9SS8MJ10XFJS10-Z-AL
 8952 - 9SS8MJ10XFJS10-Z-PFA
 8953 - 9SS8MJ10XFJS10-NI-V
 8954 - 9SS8MJ10XFJS10-NI-AL
 8955 - 9SS8MJ10XFJS10-NI-PFA

8960 - 9SS12MJ12XFJS12-Z-V
 8961 - 9SS12MJ12XFJS12-Z-AL
 8962 - 9SS12MJ12XFJS12-Z-PFA
 8963 - 9SS12MJ12XFJS12-NI-V
 8964 - 9SS12MJ12XFJS12-NI-AL
 8965 - 9SS12MJ12XFJS12-NI-PFA

ITEM DESCRIPTION

8970 - 9SS16MJ16XFJS16-Z-V
 8971 - 9SS16MJ16XFJS16-Z-AL
 8972 - 9SS16MJ16XFJS16-Z-PFA
 8973 - 9SS16MJ16XFJS16-NI-V
 8974 - 9SS16MJ16XFJS16-NI-AL
 8975 - 9SS16MJ16XFJS16-NI-PFA

8980 - 9SS20MJ20XFJS20-Z-V
 8981 - 9SS20MJ20XFJS20-Z-AL
 8982 - 9SS20MJ20XFJS20-Z-PFA
 8983 - 9SS20MJ20XFJS20-NI-V
 8984 - 9SS20MJ20XFJS20-NI-AL
 8985 - 9SS20MJ20XFJS20-NI-PFA

8993 - 9SS24MJ24XFJS24-NI-V
 8994 - 9SS24MJ24XFJS24-NI-AL
 8995 - 9SS24MJ24XFJS24-NI-PFA

90° Dual Plane Female Pipe (N.P.T.F.) X Female Pipe (N.P.T.F.) Page 45

DP5000 - 9DP4FP25XFP25-Z-V
 DP5001 - 9DP4FP25XFP25-Z-AL
 DP5002 - 9DP4FP25XFP25-Z-PFA
 DP5003 - 9DP4FP25XFP25-NI-V
 DP5004 - 9DP4FP25XFP25-NI-AL
 DP5005 - 9DP4FP25XFP25-NI-PFA

DP5010 - 9DP8FP38XFP38-Z-V
 DP5011 - 9DP8FP38XFP38-Z-AL
 DP5012 - 9DP8FP38XFP38-Z-PFA
 DP5013 - 9DP8FP38XFP38-NI-V
 DP5014 - 9DP8FP38XFP38-NI-AL
 DP5015 - 9DP8FP38XFP38-NI-PFA

DP5020 - 9DP8FP50XFP50-Z-V
 DP5021 - 9DP8FP50XFP50-Z-AL
 DP5022 - 9DP8FP50XFP50-Z-PFA
 DP5023 - 9DP8FP50XFP50-NI-V
 DP5024 - 9DP8FP50XFP50-NI-AL
 DP5025 - 9DP8FP50XFP50-NI-PFA

DP5030 - 9DP12FP75XFP75-Z-V
 DP5031 - 9DP12FP75XFP75-Z-AL
 DP5032 - 9DP12FP75XFP75-Z-PFA
 DP5033 - 9DP12FP75XFP75-NI-V
 DP5034 - 9DP12FP75XFP75-NI-AL
 DP5035 - 9DP12FP75XFP75-NI-PFA

DP5040 - 9DP16FP100XFP100-Z-V
 DP5041 - 9DP16FP100XFP100-Z-AL
 DP5042 - 9DP16FP100XFP100-Z-PFA
 DP5043 - 9DP16FP100XFP100-NI-V
 DP5044 - 9DP16FP100XFP100-NI-AL
 DP5045 - 9DP16FP100XFP100-NI-PFA

DP5050 - 9DP20FP125XFP125-Z-V
 DP5051 - 9DP20FP125XFP125-Z-AL
 DP5052 - 9DP20FP125XFP125-Z-PFA
 DP5053 - 9DP20FP125XFP125-NI-V
 DP5054 - 9DP20FP125XFP125-NI-AL
 DP5055 - 9DP20FP125XFP125-NI-PFA

DP5063 - 9DP24FP150XFP150-NI-V
 DP5064 - 9DP24FP150XFP150-NI-AL
 DP5065 - 9DP24FP150XFP150-NI-PFA

90° Dual Plane Male Pipe (N.P.T.F.) X Female Pipe (N.P.T.F.) Page 45

DP5100 - 9DP4MP25XFP25-Z-V
 DP5101 - 9DP4MP25XFP25-Z-AL
 DP5102 - 9DP4MP25XFP25-Z-PFA
 DP5103 - 9DP4MP25XFP25-NI-V
 DP5104 - 9DP4MP25XFP25-NI-AL
 DP5105 - 9DP4MP25XFP25-NI-PFA

DP5110 - 9DP8MP38XFP38-Z-V
 DP5111 - 9DP8MP38XFP38-Z-AL
 DP5112 - 9DP8MP38XFP38-Z-PFA
 DP5113 - 9DP8MP38XFP38-NI-V
 DP5114 - 9DP8MP38XFP38-NI-AL
 DP5115 - 9DP8MP38XFP38-NI-PFA

ITEM DESCRIPTION

DP5120 - 9DP8MP50XFP50-Z-V
 DP5121 - 9DP8MP50XFP50-Z-AL
 DP5122 - 9DP8MP50XFP50-Z-PFA
 DP5123 - 9DP8MP50XFP50-NI-V
 DP5124 - 9DP8MP50XFP50-NI-AL
 DP5125 - 9DP8MP50XFP50-NI-PFA

DP5130 - 9DP12MP75XFP75-Z-V
 DP5131 - 9DP12MP75XFP75-Z-AL
 DP5132 - 9DP12MP75XFP75-Z-PFA
 DP5133 - 9DP12MP75XFP75-NI-V
 DP5134 - 9DP12MP75XFP75-NI-AL
 DP5135 - 9DP12MP75XFP75-NI-PFA

DP5140 - 9DP16MP100XFP100-Z-V
 DP5141 - 9DP16MP100XFP100-Z-AL
 DP5142 - 9DP16MP100XFP100-Z-PFA
 DP5143 - 9DP16MP100XFP100-NI-V
 DP5144 - 9DP16MP100XFP100-NI-AL
 DP5145 - 9DP16MP100XFP100-NI-PFA

DP5150 - 9DP20MP125XFP125-Z-V
 DP5151 - 9DP20MP125XFP125-Z-AL
 DP5152 - 9DP20MP125XFP125-Z-PFA
 DP5153 - 9DP20MP125XFP125-NI-V
 DP5154 - 9DP20MP125XFP125-NI-AL
 DP5155 - 9DP20MP125XFP125-NI-PFA

DP5163 - 9DP24MP150XFP150-NI-V
 DP5164 - 9DP24MP150XFP150-NI-AL
 DP5165 - 9DP24MP150XFP150-NI-PFA

90° Dual Plane Male Pipe (N.P.T.F.) X Male (J.I.C.) Page 47

DP6800 - 9DP4MP25XMJ6-Z-V
 DP6801 - 9DP4MP25XMJ6-Z-AL
 DP6802 - 9DP4MP25XMJ6-Z-PFA
 DP6803 - 9DP4MP25XMJ6-NI-V
 DP6804 - 9DP4MP25XMJ6-NI-AL
 DP6805 - 9DP4MP25XMJ6-NI-PFA

DP6810 - 9DP8MP38XMJ8-Z-V
 DP6811 - 9DP8MP38XMJ8-Z-AL
 DP6812 - 9DP8MP38XMJ8-Z-PFA
 DP6813 - 9DP8MP38XMJ8-NI-V
 DP6814 - 9DP8MP38XMJ8-NI-AL
 DP6815 - 9DP8MP38XMJ8-NI-PFA

DP6820 - 9DP8MP50XMJ8-Z-V
 DP6821 - 9DP8MP50XMJ8-Z-AL
 DP6822 - 9DP8MP50XMJ8-Z-PFA
 DP6823 - 9DP8MP50XMJ8-NI-V
 DP6824 - 9DP8MP50XMJ8-NI-AL
 DP6825 - 9DP8MP50XMJ8-NI-PFA

DP6830 - 9DP8MP50XMJ10-Z-V
 DP6831 - 9DP8MP50XMJ10-Z-AL
 DP6832 - 9DP8MP50XMJ10-Z-PFA
 DP6833 - 9DP8MP50XMJ10-NI-V
 DP6834 - 9DP8MP50XMJ10-NI-AL
 DP6835 - 9DP8MP50XMJ10-NI-PFA

DP6840 - 9DP12MP75XMJ12-Z-V
 DP6841 - 9DP12MP75XMJ12-Z-AL
 DP6842 - 9DP12MP75XMJ12-Z-PFA
 DP6843 - 9DP12MP75XMJ12-NI-V
 DP6844 - 9DP12MP75XMJ12-NI-AL
 DP6845 - 9DP12MP75XMJ12-NI-PFA

DP6850 - 9DP16MP100XMJ16-Z-V
 DP6851 - 9DP16MP100XMJ16-Z-AL
 DP6852 - 9DP16MP100XMJ16-Z-PFA
 DP6853 - 9DP16MP100XMJ16-NI-V
 DP6854 - 9DP16MP100XMJ16-NI-AL
 DP6855 - 9DP16MP100XMJ16-NI-PFA

DP6860 - 9DP20MP125XMJ20-Z-V
 DP6861 - 9DP20MP125XMJ20-Z-AL
 DP6862 - 9DP20MP125XMJ20-Z-PFA
 DP6863 - 9DP20MP125XMJ20-NI-V
 DP6864 - 9DP20MP125XMJ20-NI-AL
 DP6865 - 9DP20MP125XMJ20-NI-PFA

ITEM DESCRIPTION

DP6873 - 9DP24MP150XMJ24-NI-V
 DP6874 - 9DP24MP150XMJ24-NI-AL
 DP6875 - 9DP24MP150XMJ24-NI-PFA

DP6880 - 9DP4MP38XMJ6-Z-V
 DP6881 - 9DP4MP38XMJ6-Z-AL
 DP6882 - 9DP4MP38XMJ6-Z-PFA
 DP6883 - 9DP4MP38XMJ6-NI-V
 DP6884 - 9DP4MP38XMJ6-NI-AL
 DP6885 - 9DP4MP38XMJ6-NI-PFA

DP6890 - 9DP4MP25XMJ4-Z-V
 DP6891 - 9DP4MP25XMJ4-Z-AL
 DP6892 - 9DP4MP25XMJ4-Z-PFA
 DP6893 - 9DP4MP25XMJ4-NI-V
 DP6894 - 9DP4MP25XMJ4-NI-AL
 DP6895 - 9DP4MP25XMJ4-NI-PFA

DP6900 - 9DP4M06XMJ6-Z-V
 DP6901 - 9DP4M06XMJ6-Z-AL
 DP6902 - 9DP4M06XMJ6-Z-PFA
 DP6903 - 9DP4M06XMJ6-NI-V
 DP6904 - 9DP4M06XMJ6-NI-AL
 DP6905 - 9DP4M06XMJ6-NI-PFA

DP6910 - 9DP8M08XMJ8-Z-V
 DP6911 - 9DP8M08XMJ8-Z-AL
 DP6912 - 9DP8M08XMJ8-Z-PFA
 DP6913 - 9DP8M08XMJ8-NI-V
 DP6914 - 9DP8M08XMJ8-NI-AL
 DP6915 - 9DP8M08XMJ8-NI-PFA

DP6920 - 9DP8M10XMJ10-Z-V
 DP6921 - 9DP8M10XMJ10-Z-AL
 DP6922 - 9DP8M10XMJ10-Z-PFA
 DP6923 - 9DP8M10XMJ10-NI-V
 DP6924 - 9DP8M10XMJ10-NI-AL
 DP6925 - 9DP8M10XMJ10-NI-PFA

DP6930 - 9DP12M12XMJ12-Z-V
 DP6931 - 9DP12M12XMJ12-Z-AL
 DP6932 - 9DP12M12XMJ12-Z-PFA
 DP6933 - 9DP12M12XMJ12-NI-V
 DP6934 - 9DP12M12XMJ12-NI-AL
 DP6935 - 9DP12M12XMJ12-NI-PFA

DP6940 - 9DP16M16XMJ16-Z-V
 DP6941 - 9DP16M16XMJ16-Z-AL
 DP6942 - 9DP16M16XMJ16-Z-PFA
 DP6943 - 9DP16M16XMJ16-NI-V
 DP6944 - 9DP16M16XMJ16-NI-AL
 DP6945 - 9DP16M16XMJ16-NI-PFA

DP6950 - 9DP20M20XMJ20-Z-V
 DP6951 - 9DP20M20XMJ20-Z-AL
 DP6952 - 9DP20M20XMJ20-Z-PFA
 DP6953 - 9DP20M20XMJ20-NI-V
 DP6954 - 9DP20M20XMJ20-NI-AL
 DP6955 - 9DP20M20XMJ20-NI-PFA

DP6963 - 9DP24M024XMJ24-NI-V
 DP6964 - 9DP24M024XMJ24-NI-AL
 DP6965 - 9DP24M024XMJ24-NI-PFA

DP6970 - 9DP4M04XMJ4-Z-V
 DP6971 - 9DP4M04XMJ4-Z-AL
 DP6972 - 9DP4M04XMJ4-Z-PFA
 DP6973 - 9DP4M04XMJ4-NI-V
 DP6974 - 9DP4M04XMJ4-NI-AL
 DP6975 - 9DP4M04XMJ4-NI-PFA

90° Dual Plane Male (J.I.C.) X Male (J.I.C.) Page 47

DP7000 - 9DP4MJ6XMJ6-Z-V
 DP7001 - 9DP4MJ6XMJ6-Z-AL
 DP7002 - 9DP4MJ6XMJ6-Z-PFA
 DP7003 - 9DP4MJ6XMJ6-NI-V
 DP7004 - 9DP4MJ6XMJ6-NI-AL
 DP7005 - 9DP4MJ6XMJ6-NI-PFA

ITEM DESCRIPTION

DP7010 - 9DP8MJ8XMJ8-Z-V
 DP7011 - 9DP8MJ8XMJ8-Z-AL
 DP7012 - 9DP8MJ8XMJ8-Z-PFA
 DP7013 - 9DP8MJ8XMJ8-NI-V
 DP7014 - 9DP8MJ8XMJ8-NI-AL
 DP7015 - 9DP8MJ8XMJ8-NI-PFA

DP7020 - 9DP8MJ10XMJ10-Z-V
 DP7021 - 9DP8MJ10XMJ10-Z-AL
 DP7022 - 9DP8MJ10XMJ10-Z-PFA
 DP7023 - 9DP8MJ10XMJ10-NI-V
 DP7024 - 9DP8MJ10XMJ10-NI-AL
 DP7025 - 9DP8MJ10XMJ10-NI-PFA

DP7030 - 9DP12MJ12XMJ12-Z-V
 DP7031 - 9DP12MJ12XMJ12-Z-AL
 DP7032 - 9DP12MJ12XMJ12-Z-PFA
 DP7033 - 9DP12MJ12XMJ12-NI-V
 DP7034 - 9DP12MJ12XMJ12-NI-AL
 DP7035 - 9DP12MJ12XMJ12-NI-PFA

DP7040 - 9DP16MJ16XMJ16-Z-V
 DP7041 - 9DP16MJ16XMJ16-Z-AL
 DP7042 - 9DP16MJ16XMJ16-Z-PFA
 DP7043 - 9DP16MJ16XMJ16-NI-V
 DP7044 - 9DP16MJ16XMJ16-NI-AL
 DP7045 - 9DP16MJ16XMJ16-NI-PFA

DP7050 - 9DP20MJ20XMJ20-Z-V
 DP7051 - 9DP20MJ20XMJ20-Z-AL
 DP7052 - 9DP20MJ20XMJ20-Z-PFA
 DP7053 - 9DP20MJ20XMJ20-NI-V
 DP7054 - 9DP20MJ20XMJ20-NI-AL
 DP7055 - 9DP20MJ20XMJ20-NI-PFA

DP7063 - 9DP24MJ24XMJ24-NI-V
 DP7064 - 9DP24MJ24XMJ24-NI-AL
 DP7065 - 9DP24MJ24XMJ24-NI-PFA

DP7070 - 9DP4MJ4XMJ4-Z-V
 DP7071 - 9DP4MJ4XMJ4-Z-AL
 DP7072 - 9DP4MJ4XMJ4-Z-PFA
 DP7073 - 9DP4MJ4XMJ4-NI-V
 DP7074 - 9DP4MJ4XMJ4-NI-AL
 DP7075 - 9DP4MJ4XMJ4-NI-PFA

**90° Dual Plane
 Male Face Seal (M.F.S.)
 X Male Face Seal (M.F.S.) Page 48**

ITEM DESCRIPTION

DP7610 - 9DP8MFS8XMFS8-Z-V
 DP7611 - 9DP8MFS8XMFS8-Z-AL
 DP7612 - 9DP8MFS8XMFS8-Z-PFA
 DP7613 - 9DP8MFS8XMFS8-NI-V
 DP7614 - 9DP8MFS8XMFS8-NI-AL
 DP7615 - 9DP8MFS8XMFS8-NI-PFA

DP7620 - 9DP8MFS10XMFS10-Z-V
 DP7621 - 9DP8MFS10XMFS10-Z-AL
 DP7622 - 9DP8MFS10XMFS10-Z-PFA
 DP7623 - 9DP8MFS10XMFS10-NI-V
 DP7624 - 9DP8MFS10XMFS10-NI-AL
 DP7625 - 9DP8MFS10XMFS10-NI-PFA

DP7630 - 9DP12MFS12XMFS12-Z-V
 DP7631 - 9DP12MFS12XMFS12-Z-AL
 DP7632 - 9DP12MFS12XMFS12-Z-PFA

DP7633 - 9DP12MFS12XMFS12-NI-V
 DP7634 - 9DP12MFS12XMFS12-NI-AL
 DP7635 - 9DP12MFS12XMFS12-NI-PFA

DP7640 - 9DP16MFS16XMFS16-Z-V
 DP7641 - 9DP16MFS16XMFS16-Z-AL
 DP7642 - 9DP16MFS16XMFS16-Z-PFA
 DP7643 - 9DP16MFS16XMFS16-NI-V
 DP7644 - 9DP16MFS16XMFS16-NI-AL
 DP7645 - 9DP16MFS16XMFS16-NI-PFA

DP7650 - 9DP20MFS20XMFS20-Z-V
 DP7651 - 9DP20MFS20XMFS20-Z-AL
 DP7652 - 9DP20MFS20XMFS20-Z-PFA

DP7653 - 9DP20MFS20XMFS20-NI-V
 DP7654 - 9DP20MFS20XMFS20-NI-AL
 DP7655 - 9DP20MFS20XMFS20-NI-PFA

DP7663 - 9DP24MFS24XMFS24-NI-V
 DP7664 - 9DP24MFS24XMFS24-NI-AL
 DP7665 - 9DP24MFS24XMFS24-NI-PFA

**90° Dual Plane
 Male (O.R.B.)
 X Male Face Seal (M.F.S.) Page 46**

DP8600 - 9DP4MO6XMFS6-Z-V
 DP8601 - 9DP4MO6XMFS6-Z-AL
 DP8602 - 9DP4MO6XMFS6-Z-PFA
 DP8603 - 9DP4MO6XMFS6-NI-V
 DP8604 - 9DP4MO6XMFS6-NI-AL
 DP8605 - 9DP4MO6XMFS6-NI-PFA

DP8620 - 9DP8MO8XMFS8-Z-V
 DP8621 - 9DP8MO8XMFS8-Z-AL

ITEM DESCRIPTION

DP8622 - 9DP8MO8XMFS8-Z-PFA
 DP8623 - 9DP8MO8XMFS8-NI-V
 DP8624 - 9DP8MO8XMFS8-NI-AL
 DP8625 - 9DP8MO8XMFS8-NI-PFA

DP8650 - 9DP8MO10XMFS10-Z-V
 DP8651 - 9DP8MO10XMFS10-Z-AL
 DP8652 - 9DP8MO10XMFS10-Z-PFA
 DP8653 - 9DP8MO10XMFS10-NI-V
 DP8654 - 9DP8MO10XMFS10-NI-AL
 DP8655 - 9DP8MO10XMFS10-NI-PFA

DP8660 - 9DP12MO12XMFS12-Z-V
 DP8661 - 9DP12MO12XMFS12-Z-AL
 DP8662 - 9DP12MO12XMFS12-Z-PFA
 DP8663 - 9DP12MO12XMFS12-NI-V
 DP8664 - 9DP12MO12XMFS12-NI-AL
 DP8665 - 9DP12MO12XMFS12-NI-PFA

DP8670 - 9DP16MO16XMFS16-Z-V
 DP8671 - 9DP16MO16XMFS16-Z-AL
 DP8672 - 9DP16MO16XMFS16-Z-PFA
 DP8673 - 9DP16MO16XMFS16-NI-V
 DP8674 - 9DP16MO16XMFS16-NI-AL
 DP8675 - 9DP16MO16XMFS16-NI-PFA

DP8680 - 9DP20MO20XMFS20-Z-V
 DP8681 - 9DP20MO20XMFS20-Z-AL
 DP8682 - 9DP20MO20XMFS20-Z-PFA
 DP8683 - 9DP20MO20XMFS20-NI-V
 DP8684 - 9DP20MO20XMFS20-NI-AL
 DP8685 - 9DP20MO20XMFS20-NI-PFA

DP8693 - 9DP24MO24XMFS24-NI-V
 DP8694 - 9DP24MO24XMFS24-NI-AL
 DP8695 - 9DP24MO24XMFS24-NI-PFA

**Inline Female BSPP
 X Female BSPP Page 50**

60000 - SS4FBSPP4XFBSP4-Z-V
 60001 - SS4FBSPP4XFBSP4-Z-AL
 60200 - SS6FBSPP6XFBSP6-Z-V
 60201 - SS6FBSPP6XFBSP6-Z-AL
 60300 - SS8DBFBSPP8XFBSP8-Z-V
 60301 - SS8DBFBSPP8XFBSP8-Z-AL
 60500 - SS12DBFBSPP12XBSPP12-Z-V
 60501 - SS12DBFBSPP12XBSPP12-Z-AL
 60600 - SS16DBFBSPP16XFBSP16-Z-V
 60601 - SS16DBFBSPP16XFBSP16-Z-AL
 60700 - SS20FBSPP20XFBSP20-Z-V
 60701 - SS20FBSPP20XFBSP20-Z-AL
 60803 - SS24FBSPP24XFBSP24-NI-V
 60804 - SS24FBSPP24XFBSP24-NI-AL

ITEM DESCRIPTION

**Inline Male BSPP
 X Female BSPP Page 50**

50000 - SS4MBSPP4XFBSP4-Z-V
 50001 - SS4MBSPP4XFBSP4-Z-AL
 50200 - SS6MBSPP6XFBSP6-Z-V
 50201 - SS6MBSPP6XFBSP6-Z-AL
 50300 - SS8DBMBSPP8XFBSP8-Z-V
 50301 - SS8DBMBSPP8XFBSP8-Z-AL
 50500 - SS12DBMBSPP12XFBSP12-Z-V
 50501 - SS12DBMBSPP12XFBSP12-Z-AL
 50600 - SS16DBMBSPP16XFBSP16-Z-V
 50601 - SS16DBMBSPP16XFBSP16-Z-AL
 50700 - SS20MBSPP20XFBSP20-Z-V
 50701 - SS20MBSPP20XFBSP20-Z-AL
 50803 - SS24MBSPP24XFBSP24-NI-V
 50804 - SS24MBSPP24XFBSP24-NI-AL

**90° Female BSPP
 X Female BSPP Page 51**

30000 - 9SS4FBSPP4XFBSP4-Z-V
 30001 - 9SS4FBSPP4XFBSP4-Z-AL
 30200 - 9SS6FBSPP6XFBSP6-Z-V
 30201 - 9SS6FBSPP6XFBSP6-Z-AL
 30300 - 9SS8DBFBSPP8XFBSP8-Z-V
 30301 - 9SS8DBFBSPP8XFBSP8-Z-AL
 30500 - 9SS12DBFBSPP12XBSPP12-Z-V
 30501 - 9SS12DBFBSPP12XBSPP12-Z-AL
 30600 - 9SS16DBFBSPP16XFBSP16-Z-V
 30601 - 9SS16DBFBSPP16XFBSP16-Z-AL
 30700 - 9SS20FBSPP20XFBSP20-Z-V
 30701 - 9SS20FBSPP20XFBSP20-Z-AL
 30803 - 9SS24FBSPP24XFBSP24-NI-V
 30804 - 9SS24FBSPP24XFBSP24-NI-AL

**90° Male BSPP
 X Female BSPP Page 51**

40000 - 9SS4MBSPP4XFBSP4-Z-V
 40001 - 9SS4MBSPP4XFBSP4-Z-AL
 40200 - 9SS6MBSPP6XFBSP6-Z-V
 40201 - 9SS6MBSPP6XFBSP6-Z-AL
 40300 - 9SS8DBMBSPP8XFBSP8-Z-V
 40301 - 9SS8DBMBSPP8XFBSP8-Z-AL
 40500 - 9SS12DBMBSPP12XBSPP12-Z-V
 40501 - 9SS12DBMBSPP12XBSPP12-Z-AL
 40600 - 9SS16DBMBSPP16XFBSP16-Z-V
 40601 - 9SS16DBMBSPP16XFBSP16-Z-AL
 40700 - 9SS20MBSPP20XFBSP20-Z-V
 40701 - 9SS20MBSPP20XFBSP20-Z-AL
 40803 - 9SS24MBSPP24XFBSP24-NI-V
 40804 - 9SS24MBSPP24XFBSP24-NI-AL

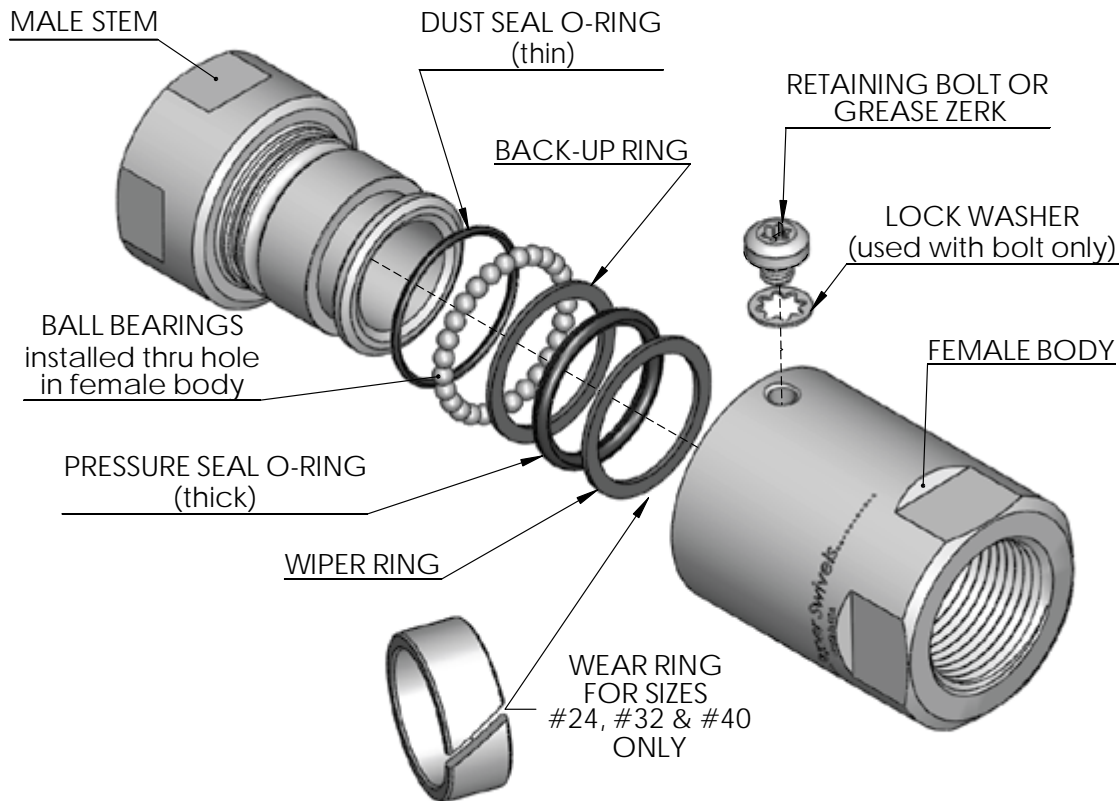


Competitors Cross Reference Guides

Below is part of a Competitors Cross Reference Guide which is available on our web site to download and refer to when making order selections.

ITEM #	S S DESCRIPTION	AEROQUIP	HYDRAULICS INC.	PARKER (PS)	SWIVEL TYPE
6430	9SS8MO10XPS50-Z-V	BD5004-0810	9S8PU8-O10		90° MALE O-RING X PIPE SWIVEL
6300	9SS4MP25XPS25-Z-V	BD55000-0404	9S6PU4-P4	PS490107-4-4	90° MALE PIPE X PIPE SWIVEL
6310	9SS8MP38XPS38-Z-V	BD55000-0606	9S6PU6-P6	PS690107-6-6	90° MALE PIPE X PIPE SWIVEL
6320	9SS8MP50XPS50-Z-V	BD55000-0808	9S8OU8-P8	PS890107-8-8	90° MALE PIPE X PIPE SWIVEL
6330	9SS12MP75XPS75-Z-V	BD55000-1212	9S12PU12-P12	PS1290107-12-12	90° MALE PIPE X PIPE SWIVEL
6340	9SS16MP100XPS100-Z-V	BD55000-1616	9S16PU16-P16	PS1290107-16-16	90° MALE PIPE X PIPE SWIVEL
6350	9SS20MP125XPS125-Z-V	BD55000-2020	9S20PU20-P20		90° MALE PIPE X PIPE SWIVEL
6393	9SS24MP150XPS150-Ni-V	BD55000-2424	9S24PU24-P24		90° MALE PIPE X PIPE SWIVEL
6570	9SS4MJ6XPS38-Z-V	BD55001-0606	9S6PU6-J6	PS690307-6-6	90° MALE JIC X PIPE SWIVEL
6510	9SS8MJ8XPS38-Z-V	BD55001-0608	9S6PU6-J8		90° MALE JIC X PIPE SWIVEL
6520	9SS8MJ8XPS50-Z-V	BD55001-0808		PS890307-8-8	90° MALE JIC X PIPE SWIVEL
6530	9SS8MJ10XPS50-Z-V	BD55001-0810	9S8PU8-J10		90° MALE JIC X PIPE SWIVEL
6540	9SS12MJ12XPS75-Z-V	BD55001-1212	9S12PU12-J12	PS1290307-12-12	90° MALE JIC X PIPE SWIVEL
6550	9SS16MJ16XPS100-Z-V	BD55001-1616	9S16PU16-J16	PS1690307-16-16	90° MALE JIC X PIPE SWIVEL
6560	9SS20MJ20XPS125-Z-V	BD55001-2020	9S20PU20-J20		90° MALE JIC X PIPE SWIVEL
6410	9SS8MO8XPS38-Z-V	BD55004-0608	9S6PU6-O8		90° MALE O-RING X PIPE SWIVEL
6420	9SS8MO8XPS50-Z-V	BD55004-0808		PS890507-8-8	90° MALE O-RING X PIPE SWIVEL
6440	9SS12MO12XPS75-Z-V	BD55004-1212	9S12PU12-O12	PS1290507-12-12	90° MALE O-RING X PIPE SWIVEL
6450	9SS16MO16XPS100-Z-V	BD55004-1616	9S16PU16-O16	PS1690507-16-16	90° MALE O-RING X PIPE SWIVEL
6460	9SS20MO20XPS125-Z-V	BD55004-2020	9S20PU20-O20		90° MALE O-RING X PIPE SWIVEL
6483	9SS24MO24XPS150-Ni-V	BD55004-2424	9S24PU24-O24		90° MALE O-RING X PIPE SWIVEL
6870	9SS4MP38XMJ6-Z-V	BD55005-0606	9S6J6-P6		90° MALE PIPE X MALE JIC
6810	9SS8MP38XMJ8-Z-V	BD55005-0806	9S6J8-P6		90° MALE PIPE X MALE JIC
6820	9SS8MP50XMJ8-Z-V	BD55005-0808		PS890103-8-8	90° MALE PIPE X MALE JIC
6830	9SS8MP50XMJ10-Z-V	BD55005-1008	9S8J10-P8		90° MALE PIPE X MALE JIC
6840	9SS12MP75XMJ12-Z-V	BD55005-1212	9S12J12-P12	PS1290103-12-12	90° MALE PIPE X MALE JIC
6850	9SS16MP100XMJ16-Z-V	BD55005-1616	9S16J16-P16	PS1690103-16-16	90° MALE PIPE X MALE JIC
6860	9SS20MP125XMJ20-Z-V	BD55005-2020	9S20J20-P20		90° MALE PIPE X MALE JIC
6883	9SS24MP150XMJ24-Ni-V	BD55005-2424	9S24J24-P24		90° MALE PIPE X MALE JIC
7000	9SS4MJ6XMJ6-Z-V	BD55009-0606	9S6J6-J6	PS690302-6-6	90° MALE JIC X MALE JIC
7010	9SS8MJ8XMJ8-Z-V	BD55009-0808	9S6J8-J8	PS890302-8-8	90° MALE JIC X MALE JIC
7020	9SS8MJ10XMJ10-Z-V	BD55009-1010	9S8J10-J10	PS890302-10-10	90° MALE JIC X MALE JIC
7030	9SS12MJ12XMJ12-Z-V	BD55009-1212	9S12J12-J12	PS1290302-12-12	90° MALE JIC X MALE JIC
7040	9SS16MJ16XMJ16-Z-V	BD55009-1616	9S16J16-J16	PS1690302-16-16	90° MALE JIC X MALE JIC
7050	9SS20MJ20XMJ20-Z-V	BD55009-2020	9S20J20-J20		90° MALE JIC X MALE JIC
7063	9SS24MJ24XMJ24-Ni-V	BD55009-2424	9S24J24-J24		90° MALE JIC X MALE JIC

Hydraulic Inline and 90° Live Swivels Seal Rebuilding Kit Instructions



1. Remove retaining bolt or grease zerk (some models have a permanent grease zerk).
2. Wash swivel in solvent and rotate while immersed to remove grease from the ball bearing groove.
3. Remove ball bearings by rotating swivel with ball loading hole pointed downward. If remaining grease in ball groove prevents balls from falling free when centered over loading hole, tap swivel on work bench with loading hole facing down on bench.
4. With all ball bearings removed (check by rotating while looking into ball loading hole), pull the two halves apart and discard old rings, ball bearings and seals.
5. Clean and dry swivel thoroughly, install new seal and wear rings when required, and lubricate the female bore and male outside diameter before assembly. Load retainer ball bearings and install grease zerk (a temporary zerk is provided for models with a retaining bolt). Use lithium based grease with moly (do not over grease).

Note: The temporary grease zerk must be removed and replaced with the original retaining bolt and new lock washer on swivels which didn't originally have a permanent grease zerk.

Switch Your Swivel![®]



WARRANTY & LIMITATION OF LIABILITY

Super Swivels® products are warranted for a period of twelve (12) months from date of shipment from seller's plant to be free from defects in material and workmanship under correct use, normal operating conditions, and proper application.

CAR WASH / CORROSIVE MEDIA APPLICATIONS. SEALS WILL BE WARRANTED FOR SIX (6) MONTHS WHEN USED WITH FRESH, CLEAN, SOFT, FLUIDS WITH A pH BETWEEN 8 -11.5. SEALS WILL BE WARRANTED FOR THREE (3) MONTHS WHEN USED WITH ANY RECLAIMED FLUIDS. MINIMUM FILTRATION REQUIREMENTS, 10 MICRONS. WARRANTY VOIDED IF SPECIFIED R.P.M. EXCEEDED.

Seller's obligation under this warranty shall be limited to the repair or exchange, at seller's option, F.O.B. seller's factory, of any Super Swivels® product or part which proves to be defective as provided herein. Seller reserves the right to either inspect the product at buyer's location or require it to be returned to the factory for inspection. The above warranty does not extend to goods damaged, or subjected to accident, abuse, or misuse after shipment from seller's factory, nor to goods altered or repaired by anyone other than authorized Super Swivels® representatives.

SELLER MAKES NO EXPRESS WARRANTIES OTHER THAN THOSE WHICH ARE SPECIFICALLY DESCRIBED HEREIN. Any description of the goods sold hereunder, including any references to buyer's specifications and any descriptions in catalogs, circulars and other written material published by Seller is for the sole purpose of identifying such goods and shall not create an express warranty that the goods shall conform to such description. Any sample or model is for illustrative purposes only and shall not create any express warranty that the goods shall conform to the sample or model. BUYER IS SOLELY RESPONSIBLE FOR DETERMINING THE SUITABILITY OF GOODS SOLD HEREUNDER FOR USE BY BUYER.

THE SUITABILITY OF GOODS SOLD HEREUNDER FOR USE BY BUYER. THIS WARRANTY IS EXPRESSLY IN LIEU OF ALL OTHER WARRANTIES EXPRESSED OR IMPLIED. THERE ARE NO IMPLIED WARRANTIES OF MERCHANTABILITY OR FITNESS FOR A PARTICULAR PURPOSE. THIS WARRANTY STATES SELLERS ENTIRE AND EXCLUSIVE LIABILITY AND BUYERS EXCLUSIVE REMEDY FOR ANY CLAIM FOR DAMAGES IN CONNECTION WITH THE SALE OF FURNISHINGS OF SUPER SWIVELS® PRODUCTS, THEIR DESIGN, SUITABILITY FOR USE, INSTALLATION OR OPERATION, OR FOR ANY CLAIMED DEFECTS HEREIN. SELLER WILL IN NO EVENT BE LIABLE FOR ANY INCIDENTAL OR CONSEQUENTIAL DAMAGES WHATSOEVER, NOR FOR ANY SUM IN EXCESS OF THE PRICE RECEIVED FOR THE GOODS FOR WHICH LIABILITY IS CLAIMED.

SUPER SWIVELS® ARE NOT DESIGNED FOR AND SHOULD NOT BE USED AS A STRUCTURAL OR LOAD BEARING COMPONENT. ALL DIMENSIONAL INFORMATION SUBJECT TO CHANGE WITHOUT NOTICE.



Super Swivels[®]

Switch Your Swivel!



Inline & 90° Hydraulic Live Swivels

- Available In Sizes From 1/8" Through 2 1/2"
- Rated To 10,000 P.S.I.
- Heat Treated
- Rebuilding Kits Available
- Superior Quality Alloy Steel
- Withstands Heavy Side Loads
- Full Flow — Low Pressure Drop
- Burnished (Micro Smooth) Barrel Bores
- Chrome Or Stainless Steel Ball Bearings
- Viton[®], Aflas[®], Simriz[®], Buna, Or EPDM Seals
- Available in 304 & 440c Stainless Steel (pipe thread only)



Quality Products Made In The U.S.A., Patent No. 5547233