



***Super Swivels***<sup>®</sup>

***Automatic Car Wash Industry***

**Inline & 90° Live Swivels**

**Heavy Duty Ball Bearing, Rebuildable Design**

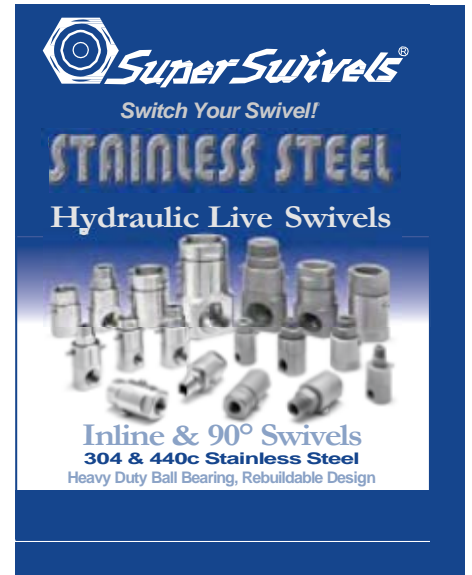


***Switch Your Swivel!***<sup>®</sup>



Super Swivels® was established in 1986. Our goal is to manufacture heavy-duty, leak free, live swivels at a competitive price.

We maintain a large inventory, which allows us to provide exceptional service. Our heat treating process allows us to offer higher working pressure ratings. Super Swivels are available in several different materials, plating options and a wide variety of seal options.



Super Swivels are used in a wide variety of applications, i.e. hose reels, paint equipment, hydraulic log loaders, automatic car washes, wrecker trucks, horizontal directional drilling, machine tool indexers, hydraulic wheel motors, hot tar applicators, robotics, power line equipment, railroad equipment, and mining equipment, to mention a few.



*Automatic Car Wash Industry*



## Heavy Duty Live Swivels For Car Wash Use

Super Swivels® offers numerous configuration, size, seal, and material options including custom design and manufacture. Our catalogs illustrate the most common choices, many of which are in stock and ready to ship. Please contact us if you don't see what you want and we will work with you to fulfill those needs.

Order options include: In-line or 90°, single or dual plane, stem thread type and size, body thread type and size, material and plating and seal type.

## Features For The Car Wash Industry

Super Swivels offers a large variety of sizes and configurations to fulfill industry applications. Our superior alloy steel construction and stainless steel ball bearings resist heavy side loads and provide a long life of service. Quality patented design coupled with meticulous construction, combined with rebuilding kits assure the best value and longest life in tough use.



Automatic Car Wash Industry



Inline Swivels SS8FP38XFP38-NI-TFE

ITEM #13007



**MAX.  
5 R.P.M.**

**MAX.  
3,000 P.S.I.**

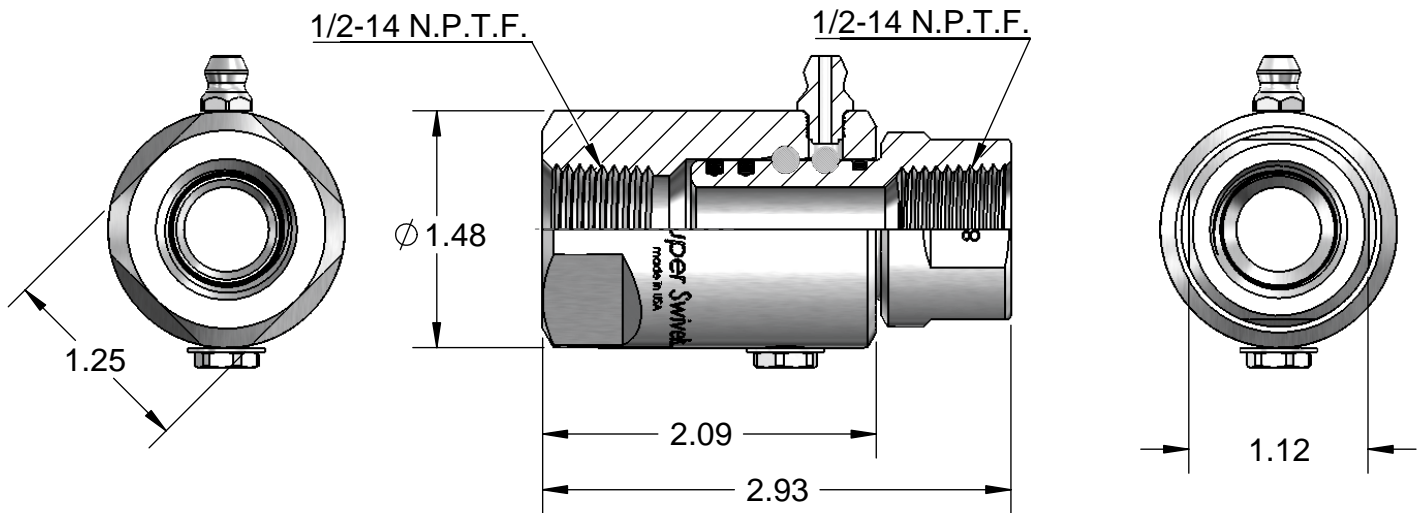
**Rebuilding Kit**  
ITEM #20170

Automatic Car Wash Industry



SS8DB FP50XFP50-NI-TFE Inline Swivels

ITEM #14090



**MAX.  
5 R.P.M.**

**MAX.  
3,000 P.S.I.**

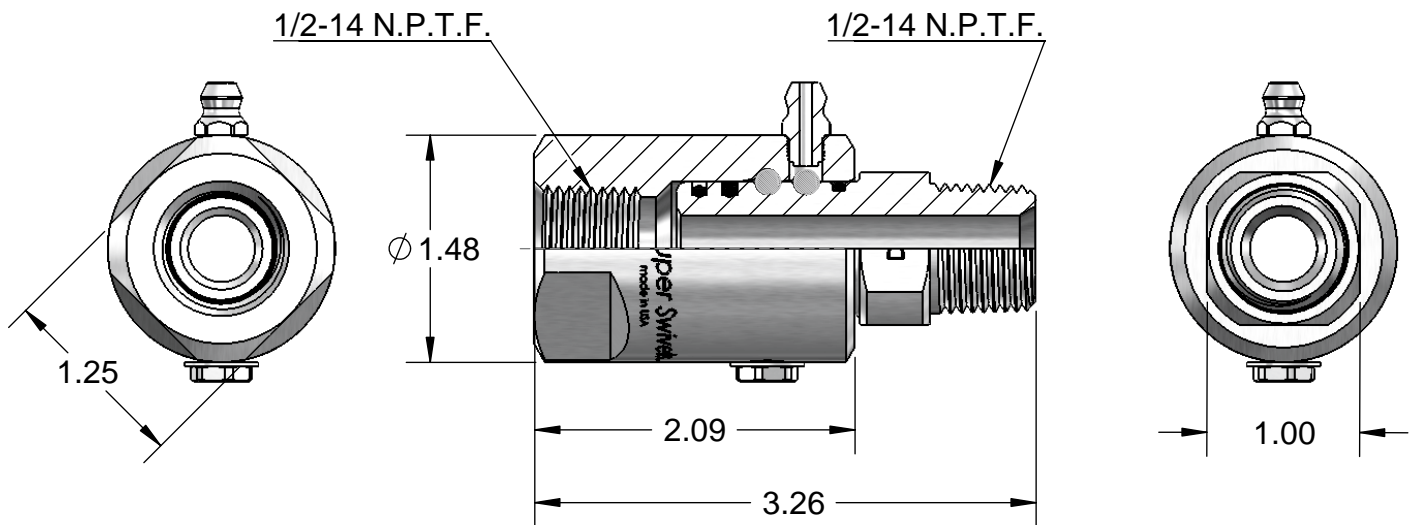
**Rebuilding Kit**  
ITEM #20170

Automatic Car Wash Industry



Inline Swivels SS8 DB MP 50 X FP 50-NI-TFE

ITEM #14050



**MAX.  
5 R.P.M.**

**MAX.  
3,000 P.S.I.**

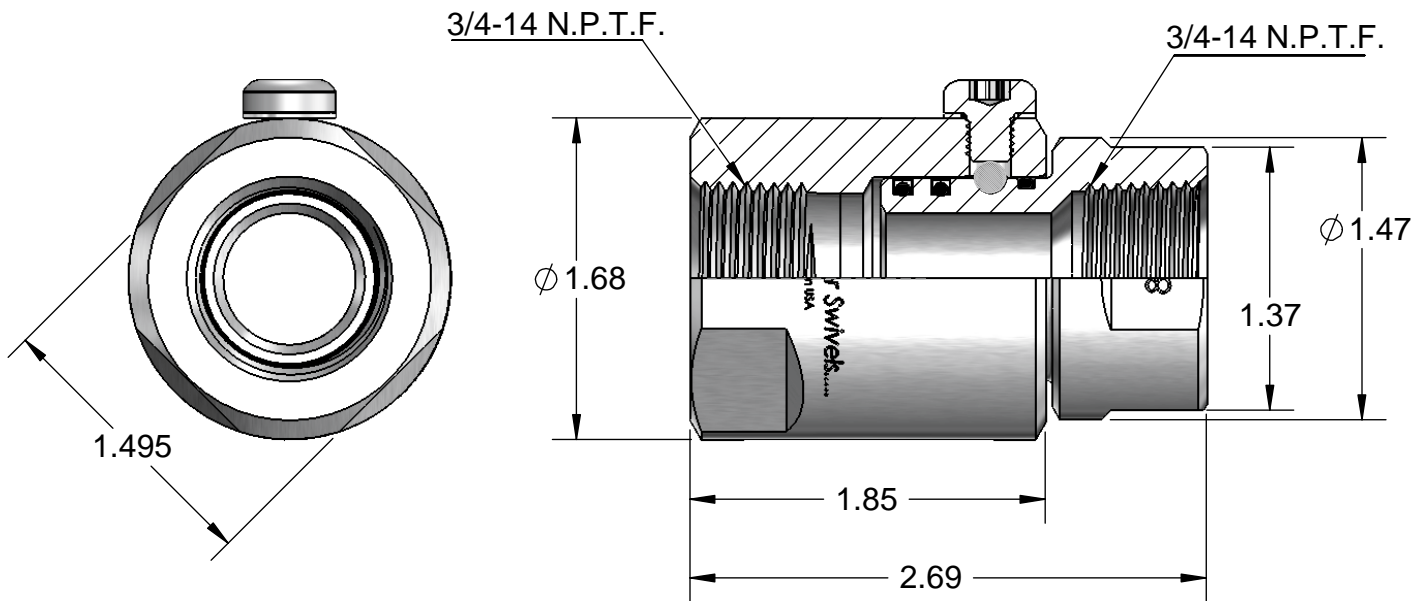
**Rebuilding Kit**  
ITEM #20170

Automatic Car Wash Industry



SS12FP75XFP75-NI-86-TFE Inline Swivels

ITEM #15010



MAX.  
5 R.P.M.

MAX.  
3,000 P.S.I.

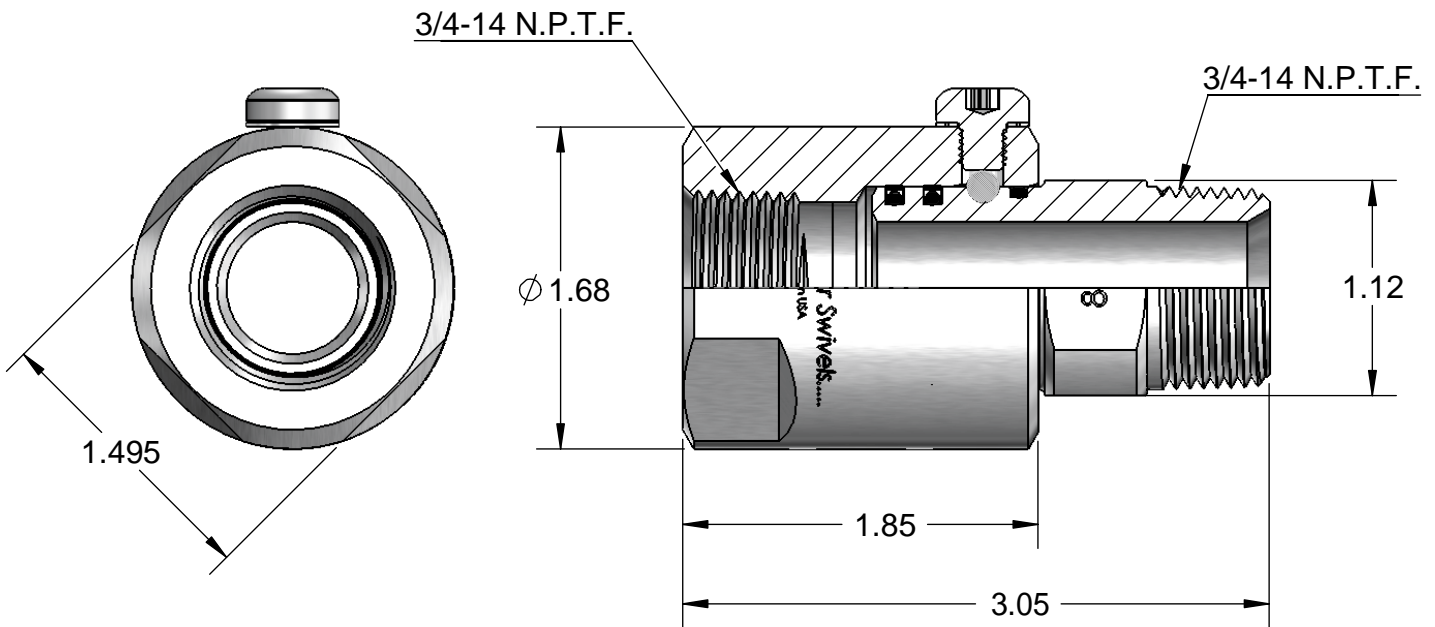
Rebuilding Kit  
ITEM #20183

Automatic Car Wash Industry



Inline Swivels SS12MP75XFP75-NI-86-TFE

ITEM #15009



**MAX.  
5 R.P.M.**

**MAX.  
3,000 P.S.I.**

**Rebuilding Kit**  
ITEM #20183

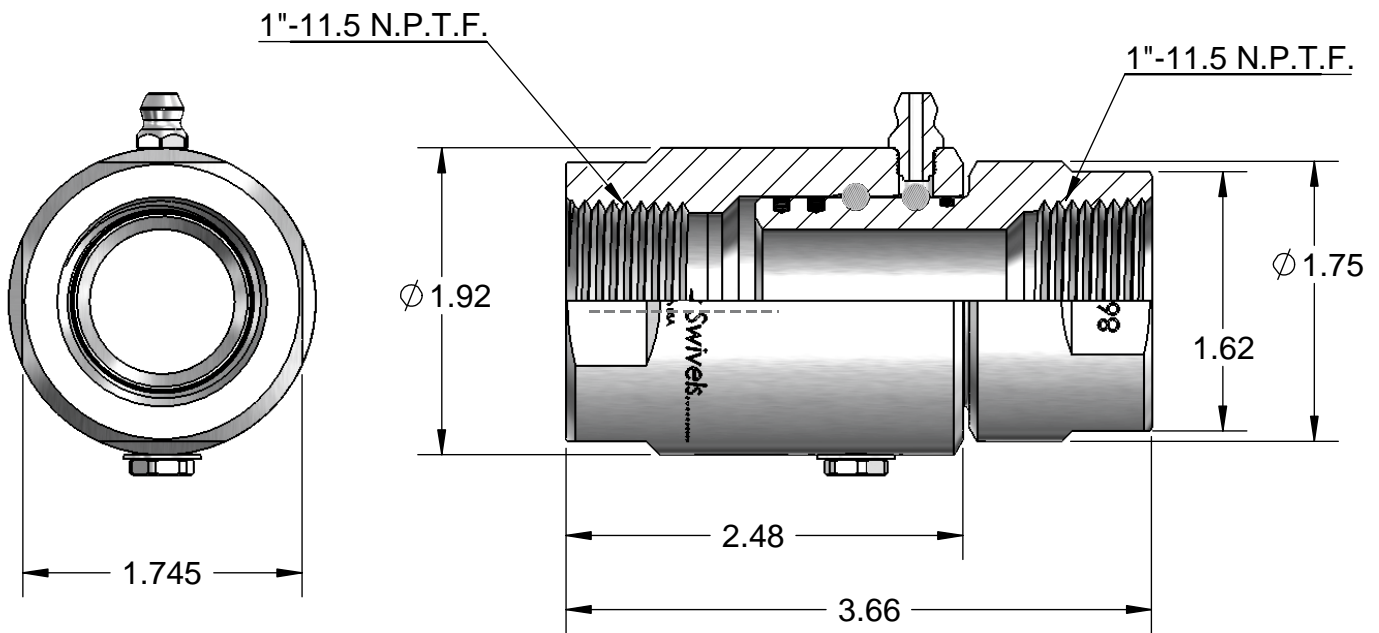


Automatic Car Wash Industry



SS 16 DB FP 100 X FP 100-NI-86-TFE Inline Swivels

ITEM #16050



**MAX.  
5 R.P.M.**

**MAX.  
3,000 P.S.I.**

**Rebuilding Kit**  
ITEM #20251

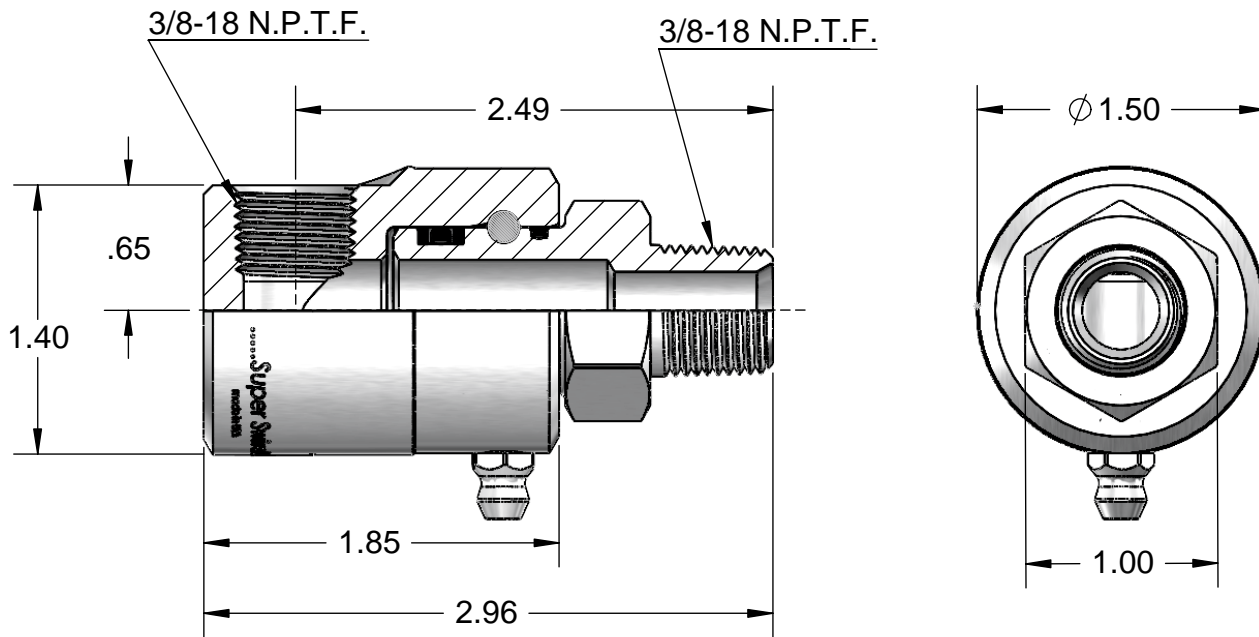
Automatic Car Wash Industry



90° Swivels

9 SS 8 MP 38 X FP 38-NI-AL

ITEM #5114



**MAX.  
5 R.P.M.**

**MAX.  
5,000 P.S.I.**

**Rebuilding Kit**  
ITEM # 3611

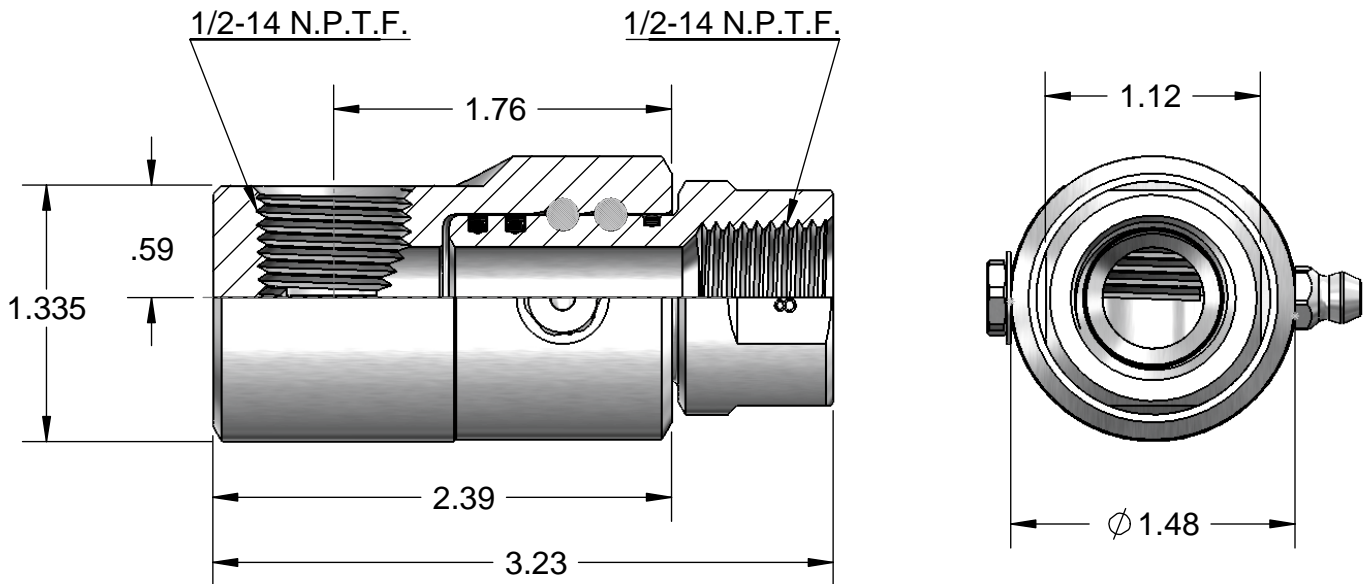
Automatic Car Wash Industry



9 SS 8 DB FP 50 X FP 50-NI-TFE

90° Swivels

ITEM #23196



**MAX.  
5 R.P.M.**

**MAX.  
3,000 P.S.I.**

**Rebuilding Kit**  
ITEM #20170

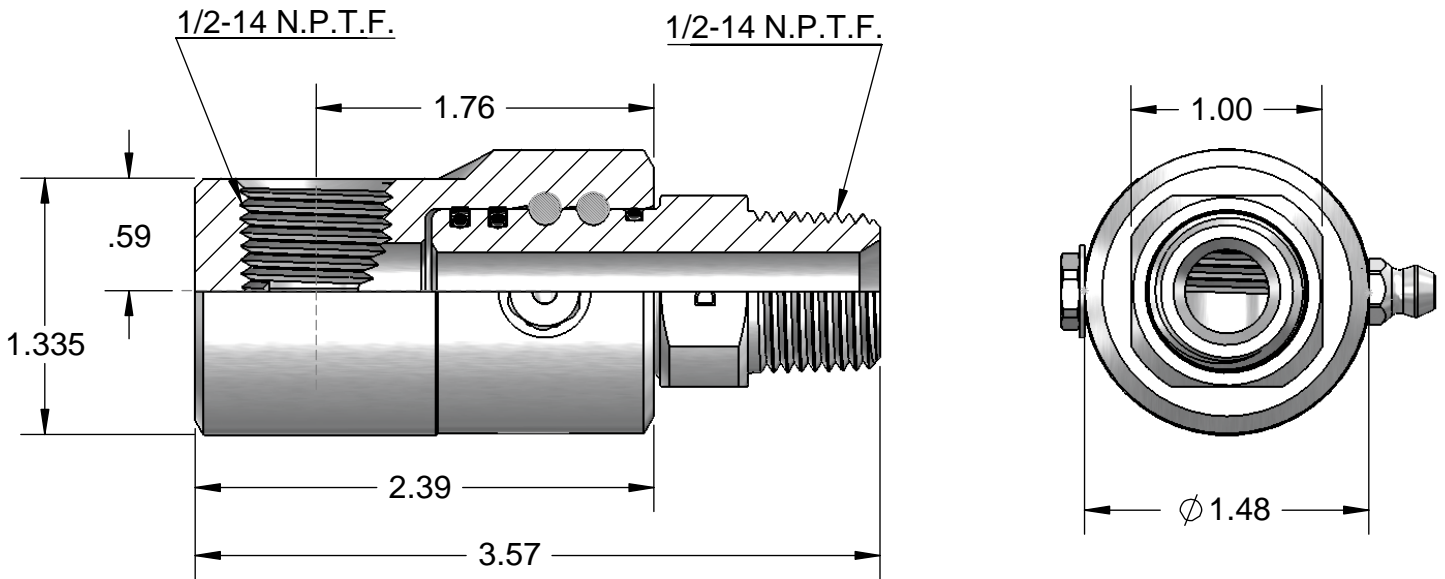
Automatic Car Wash Industry



90° Swivels

9 SS 8 DB MP 50 X FP 50-NI-TFE

ITEM #23048



**MAX.  
5 R.P.M.**

**MAX.  
3,000 P.S.I.**

**Rebuilding Kit**  
ITEM #20170

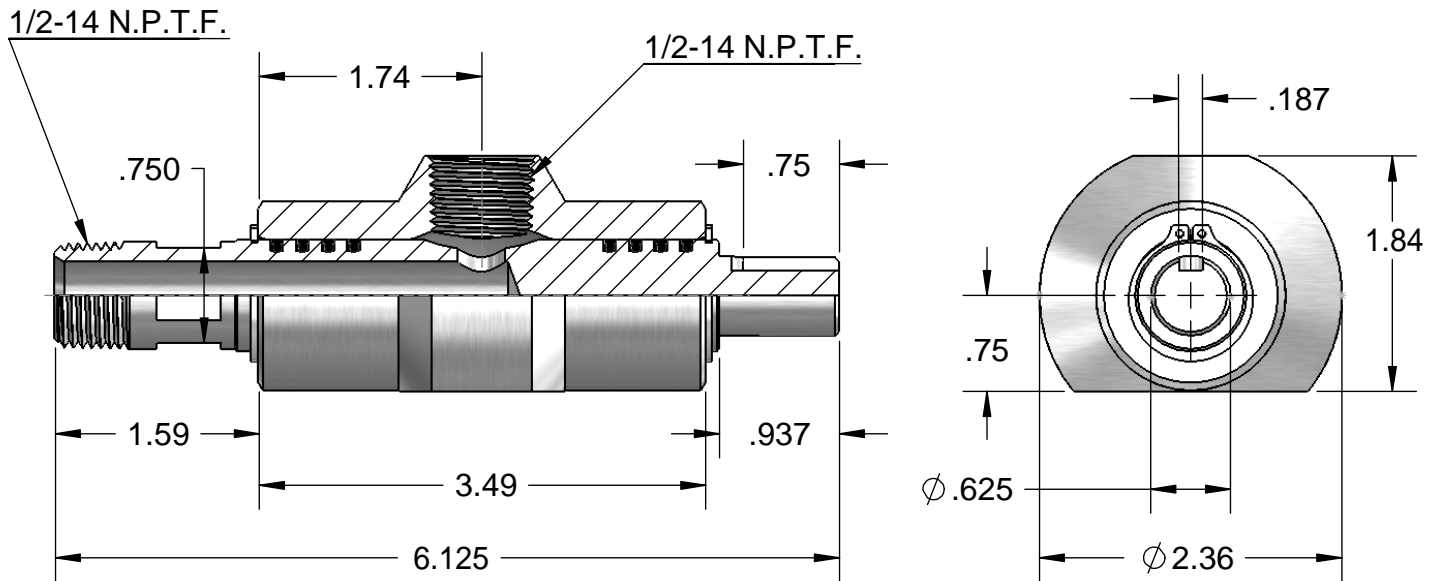
Automatic Car Wash Industry



9 SS 8 PB MP 50 X FP 50-ML-U

90° Swivels

ITEM #23152



MAX.  
70 R.P.M.

MAX.  
1,500 P.S.I.

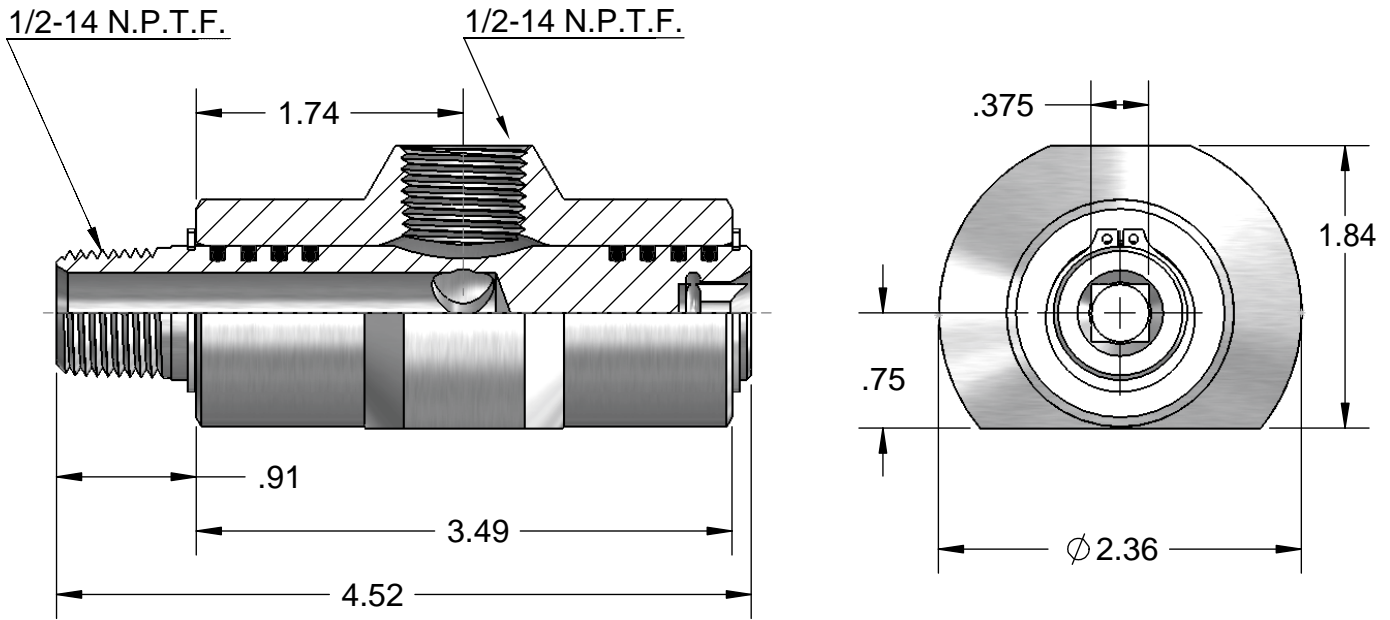
Rebuilding Kit  
ITEM #20171

Automatic Car Wash Industry



90° Swivels 9 SS 8 PB MP 50 X FP 50-NI-003

ITEM #23113



**MAX.**  
**70 R.P.M.**

**MAX.**  
**1,500 P.S.I.**

**Rebuilding Kit**  
ITEM #20171

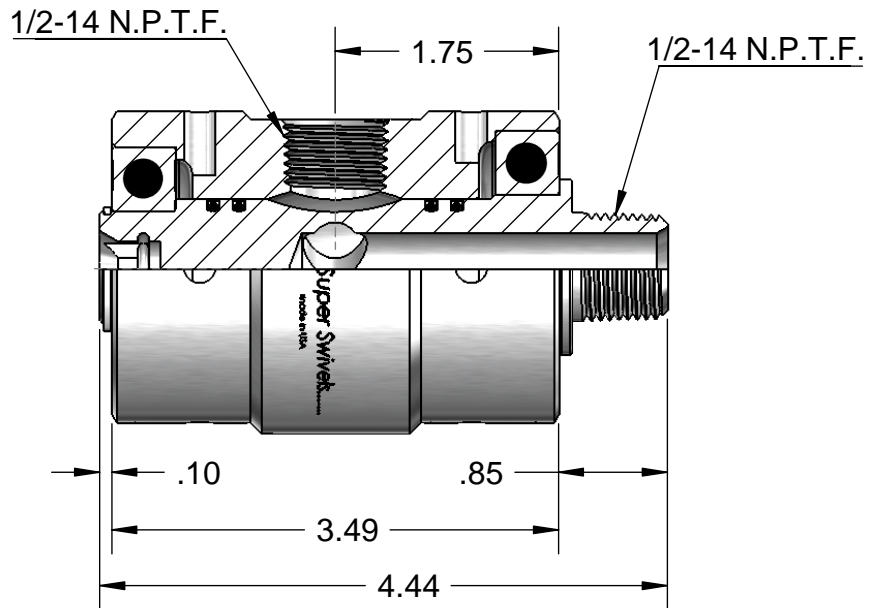
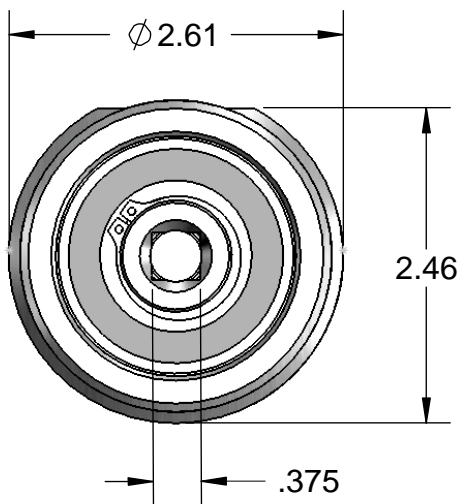
Automatic Car Wash Industry



9 SS 12 PB MP 50 X FP 50-NI

90° Swivels

ITEM #24074



Rebuilding Kit (without bearings)

ITEM #20198

Rebuilding Kit (with bearings)

ITEM #20197

100 R.P.M.

2,000 P.S.I.

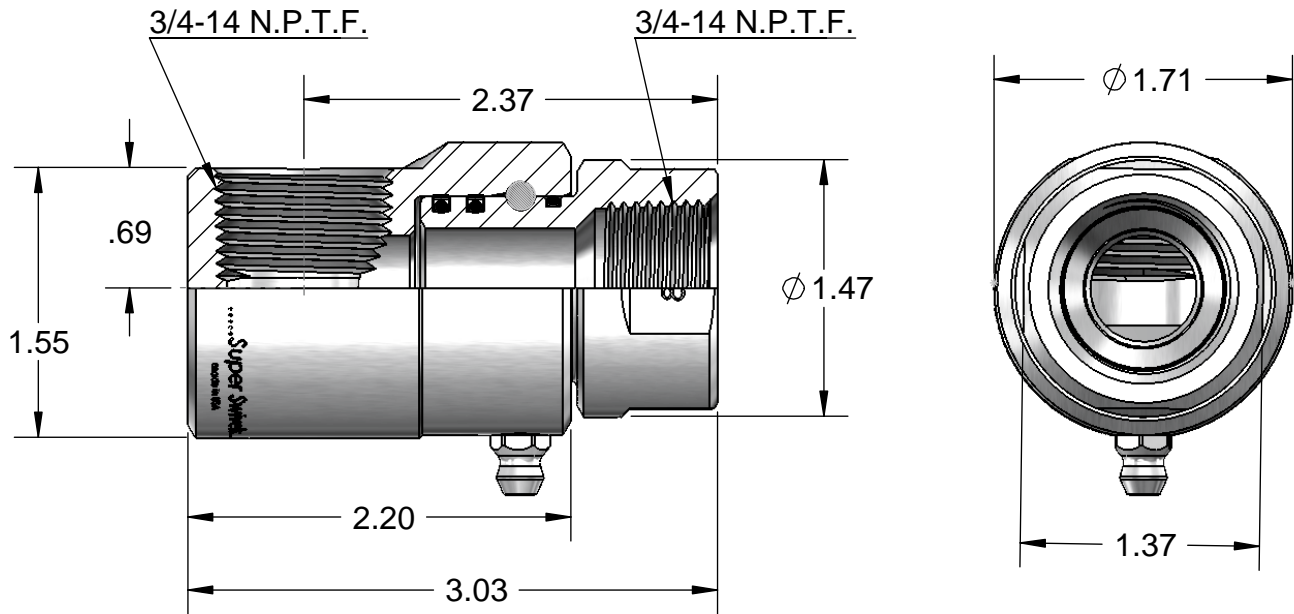
Automatic Car Wash Industry



90° Swivels

9SS12FP75XFP75-NI-86-TFE

ITEM #24059



**MAX.  
5 R.P.M.**

**MAX.  
3,000 P.S.I.**

**Rebuilding Kit**  
ITEM #20183



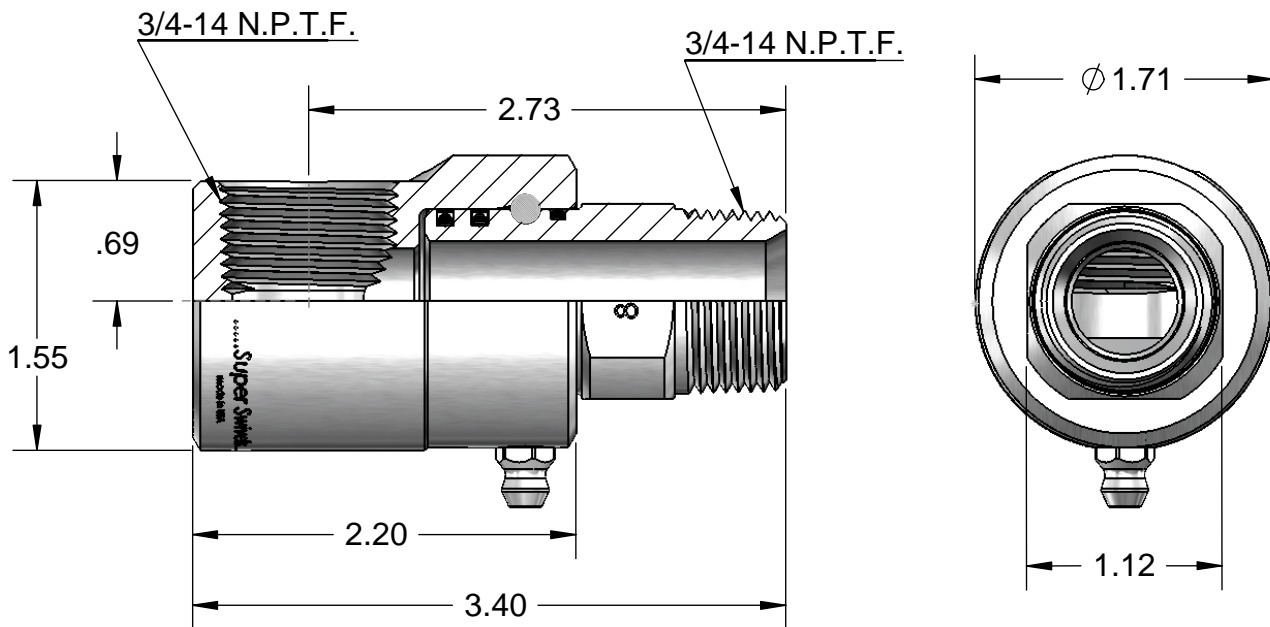
Automatic Car Wash Industry



9 SS 12 MP 75 X FP 75-NI-86-TFE

90° Swivels

ITEM #24022



MAX.  
5 R.P.M.

MAX.  
3,000 P.S.I.

Rebuilding Kit  
ITEM #20183

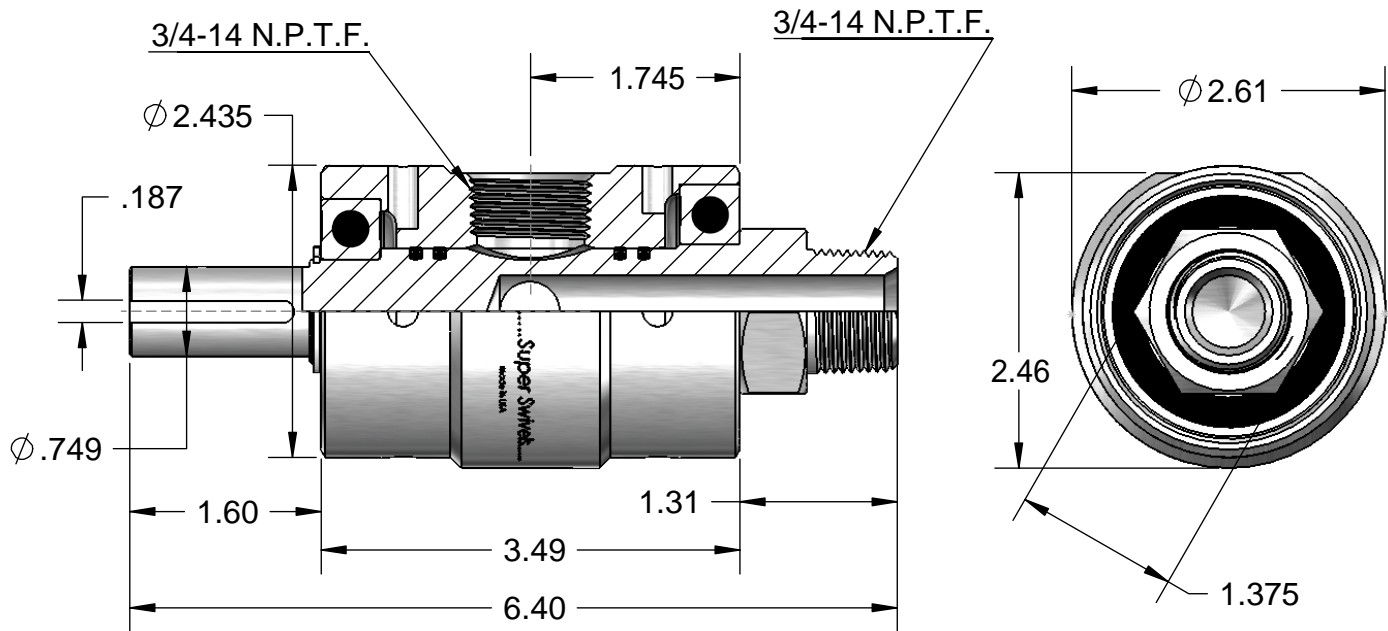
Automatic Car Wash Industry



90° Swivels

9 SS 12 PB MP 75 X FP 75-NI-004

ITEM #24089



Rebuilding Kit (without bearings)  
ITEM #20198

Rebuilding Kit (with bearings)  
ITEM #20197

MAX.  
100 R.P.M.

MAX.  
2,000 P.S.I.

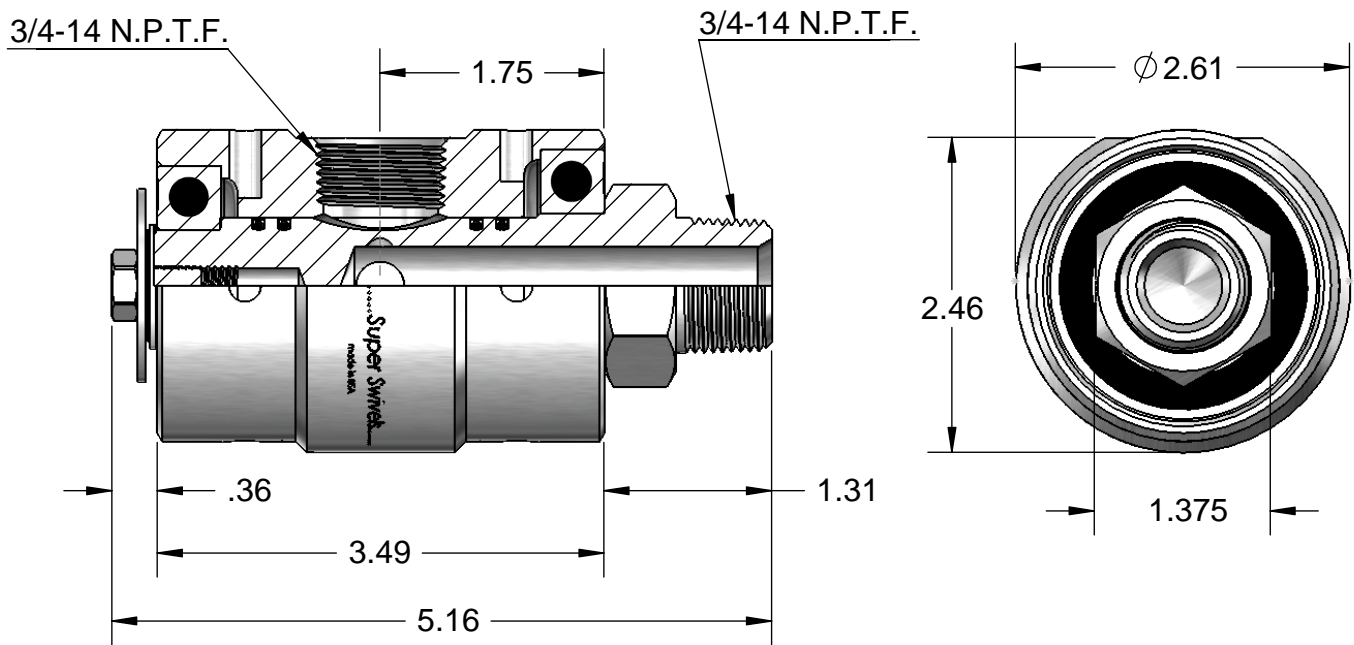
Automatic Car Wash Industry



9 SS 12 PB MP 75 X FP 75-NI-003

90° Swivels

ITEM #24073



Rebuilding Kit (without bearings)

ITEM #20198

Rebuilding Kit (with bearings)

ITEM #20197

**MAX.**  
**100 R.P.M.**

**MAX.**  
**2,000 P.S.I.**

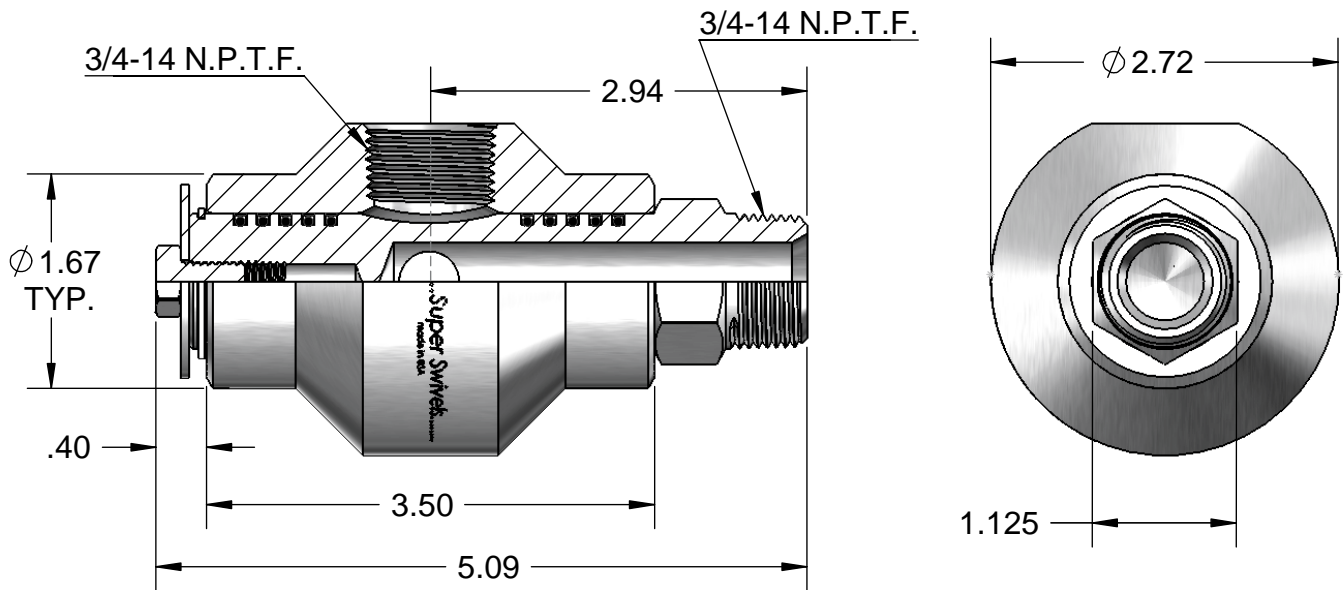
Automatic Car Wash Industry



90° Swivels

9 SS 12 PB MP 75 X FP 75-NI-001

ITEM #24058



**MAX.  
70 R.P.M.**

**MAX.  
1,500 P.S.I.**

**Rebuilding Kit**

ITEM #20184

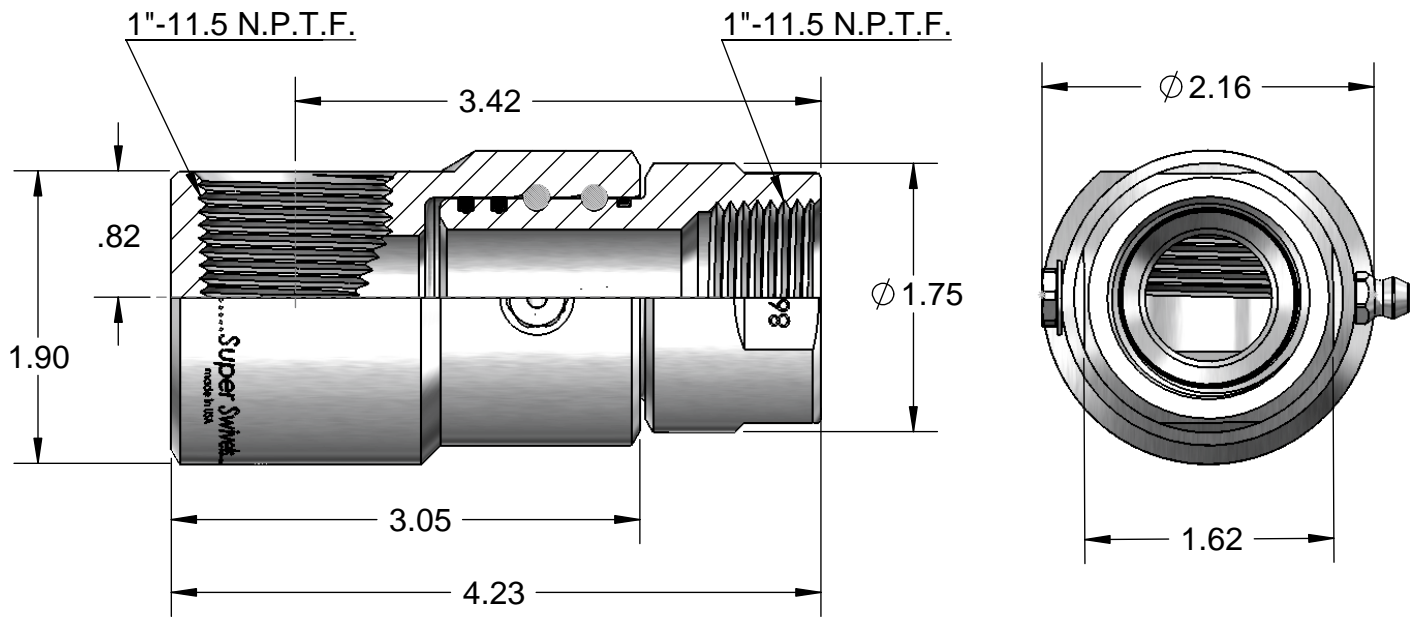
Automatic Car Wash Industry



9 SS 16 DB FP 100 X FP 100-NI-86-TFE

90° Swivels

ITEM #25061



MAX.  
5 R.P.M.

MAX.  
3,000 P.S.I.

Rebuilding Kit  
ITEM #20251

## Seal Rebuilding Kit Tools

Seal rebuild kits are a big cost savings value over replacing functional swivels that have worn seals. Each product page lists corresponding rebuilding kits for that swivel.

### To simplify replacement of worn seals we offer these tools:

**Seal Installation Cone;** you simply slide your replacement seals over the cone, then slide them over your existing swivel. No twisting and fumbling with new seals trying to get them over the swivel.

**Seal Resizing Ring;** after the replacement seal is in position use the ring to reshape and size the seal when in place.

**For use with Swivel Item #:**  
5009, 50 0, 24022, 24059,  
24073, 24074, 24089

**Seal Installation Cone**  
**T-PB12-Cone**  
Item # 025



**Seal Resizing Ring**  
**T-PB12-Ring**  
Item # 028

**For use with Swivel Item #:**  
23048, 23 3, 23 52

**Seal Installation Cone**  
**T-PB8-Cone**  
Item # 02



**Seal Resizing Ring**  
**T-PB8-Ring**  
Item # 022

**For use with Swivel Item #:**  
6050, 2506



**Seal Resizing Ring**  
**T-PB16-Ring**  
Item # 030

**Seal Installation Cone**  
**T-PB16-Cone**  
Item # 029



## Super Swivels' Advantages

### Simplified Connections:

- Super Swivels can connect directly to hose lines which would do away with adapters.
- Super Swivels reduce the complexity of hose lines for 90° connections.
- Less hose is required with Super Swivels live swivels reducing space needs.

### Reduced Hose Twisting:

- Super Swivels live swivel action reduces risk of hose twisting and kinking even in 90° angel connections.

### Less System Shock:

- The increased hose movement allowed by Super Swivels superior design reduces system rigidity and helps absorb some system impulses.

### Reduce Maintenance & Downtime:

- Less hydraulic line congestion, hose kinking, shock damage and twisting means lower maintenance costs and less downtime.

### Reduced Cost:

- Simplified hose configuration, less hose and adapters when combined with reduced repairs and downtime reduce the overall cost of hydraulics.



## WARRANTY & LIMITATION OF LIABILITY

Super Swivels® products are warranted for a period of twelve (12) months from date of shipment from seller's plant to be free from defects in material and workmanship under correct use, normal operating conditions, and proper application.

CAR WASH / CORROSIVE MEDIA APPLICATIONS. SEALS WILL BE WARRANTED FOR SIX (6) MONTHS WHEN USED WITH FRESH, CLEAN, SOFT, FLUIDS WITH A pH BETWEEN 8 -11.5. SEALS WILL BE WARRANTED FOR THREE (3) MONTHS WHEN USED WITH ANY RECLAIMED FLUIDS. MINIMUM FILTRATION REQUIREMENTS, 10 MICRONS. WARRANTY VOIDED IF SPECIFIED R.P.M. EXCEEDED.

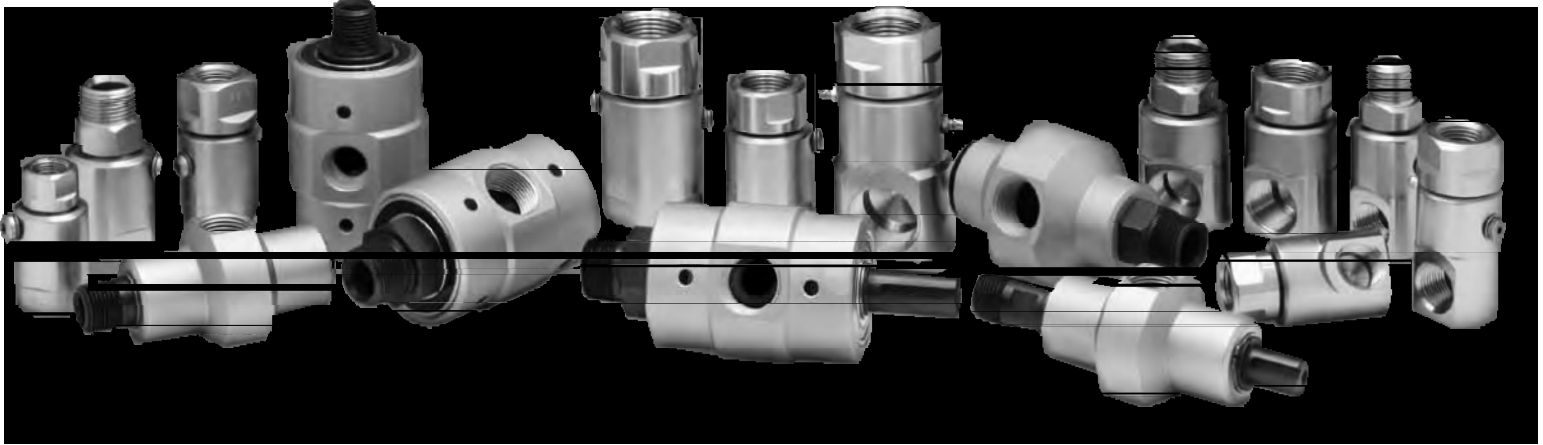
Seller's obligation under this warranty shall be limited to the repair or exchange, at seller's option, F.O.B. seller's factory, of any Super Swivels® product or part which proves to be defective as provided herein. Seller reserves the right to either inspect the product at buyer's location or require it to be returned to the factory for inspection. The above warranty does not extend to goods damaged, or subjected to accident, abuse, or misuse after shipment from seller's factory, nor to goods altered or repaired by anyone other than authorized Super Swivels® representatives.

SELLER MAKES NO EXPRESS WARRANTIES OTHER THAN THOSE WHICH ARE SPECIFICALLY DESCRIBED HEREIN. Any description of the goods sold hereunder, including any references to buyer's specifications and any descriptions in catalogs, circulars and other written material published by Seller is for the sole purpose of identifying such goods and shall not create an express warranty that the goods shall conform to such description. Any sample or model is for illustrative purposes only and shall not create any express warranty that the goods shall conform to the sample or model. BUYER IS SOLELY RESPONSIBLE FOR DETERMINING THE SUITABILITY OF GOODS SOLD HEREUNDER FOR USE BY BUYER.

THE SUITABILITY OF GOODS SOLD HEREUNDER FOR USE BY BUYER. THIS WARRANTY IS EXPRESSLY IN LIEU OF ALL OTHER WARRANTIES EXPRESSED OR IMPLIED. THERE ARE NO IMPLIED WARRANTIES OF MERCHANTABILITY OR FITNESS FOR A PARTICULAR PURPOSE. THIS WARRANTY STATES SELLERS ENTIRE AND EXCLUSIVE LIABILITY AND BUYERS EXCLUSIVE REMEDY FOR ANY CLAIM FOR DAMAGES IN CONNECTION WITH THE SALE OF FURNISHINGS OF SUPER SWIVELS® PRODUCTS, THEIR DESIGN, SUITABILITY FOR USE, INSTALLATION OR OPERATION, OR FOR ANY CLAIMED DEFECTS HEREIN. SELLER WILL IN NO EVENT BE LIABLE FOR ANY INCIDENTAL OR CONSEQUENTIAL DAMAGES WHATSOEVER, NOR FOR ANY SUM IN EXCESS OF THE PRICE RECEIVED FOR THE GOODS FOR WHICH LIABILITY IS CLAIMED.

SUPER SWIVELS® ARE NOT DESIGNED FOR AND SHOULD NOT BE USED AS A STRUCTURAL OR LOAD BEARING COMPONENT. ALL DIMENSIONAL INFORMATION SUBJECT TO CHANGE WITHOUT NOTICE.

## *Switch Your Swivel!*<sup>®</sup>



### **Inline & 90° Live Car Wash Swivels**

- Available In Sizes From 1/2" Through 1"
- Rated To 5,000 P.S.I.
- Heat Treated
- Nickel Plated
- Rebuilding Kits Available
- Superior Quality Alloy Steel
- Withstands Heavy Side Loads
- Full Flow — Low Pressure Drop
- Burnished (Micro Smooth) Barrel Bores
- Stainless Steel Ball Bearings
- TFE or UHMW Piston Ring Seals

