

# SUCTION & RETURN

**SR**  
SUCTION & RETURN HOSE



**RECOMMENDED FOR:**

Petroleum and water base hydraulic fluids in suction lines or in low pressure return lines.

**PERFORMANCE:**

Meets or Exceeds the Performance Requirements of: AS 3791 100R4 (except SR48), SAE 100R4.

**TUBE:**

Black, oil resistant synthetic rubber. (Nitrile)

**REINFORCEMENT:**

Textile reinforcement with spiral wire to prevent collapsing.

**COVER:**

Black, oil resistant and abrasion resistant synthetic rubber.

**TEMPERATURE RANGE:**

From -40°C to +100°C (-40°F to +212°F).  
For water, emulsions etc. see page 57.

**WORKING PRESSURE:**

Maximum working pressures are based on 4:1 safety factor (maximum working pressure to minimum burst pressure).

**COUPLINGS:**

Working pressure shown is for hose performance capabilities. Performance of a hose assembly depends on couplings used.

**1. For Suction Applications, and Low Pressure Delivery (up to 25% of Maximum Working Pressure).**

**33000 SERIES COUPLINGS WITH RSC CLAMP**

**33000 Series** (sizes -12 to -48)

33000 Series Couplings require a suitable clamp around the outside of the hose. Refer to RYCO RSC Clamps shown below. Assembly Instructions page 501.

**2. For Suction Applications, and High Pressure Delivery (up to 100% of Maximum Working Pressure).**

**BITELOK NON-SKIVE ONE-PIECE CRIMP T4000 Series** (sizes -12 and -16)

**THIRD PARTY APPROVALS:**

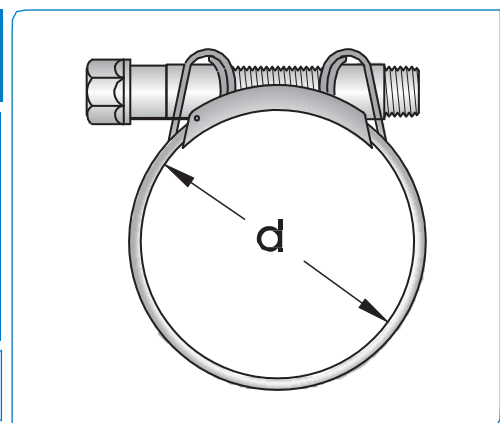
ABS, DNV, GL, LR, MED and USCG.

SR - SUCTION AND RETURN HOSE																
PART NO	HOSE SIZE	NOMINAL HOSE ID		NOMINAL HOSE OD		MAXIMUM WORKING PRESSURE		MINIMUM BURST PRESSURE		MINIMUM BEND RADIUS		VACUUM RATING		AVERAGE WEIGHT		
Hose	DN	Dash	mm	inch	mm	inch	bar	psi	bar	psi	mm	inch	mmHg	inHg	kg/m	lb/ft
SR12	19	-12	19,1	3/4	31,5	1.24	21	300	84	1200	125	4.9	635	25	0,82	0.55
SR16	25	-16	25,4	1	40,0	1.57	17	250	68	1000	150	5.9	635	25	1,00	0.67
SR40	63	-40	63,5	2.1/2	78,5	3.09	4,3	62	17	250	350	13.8	635	25	2,37	1.59
SR48	76	-48	76,2	3	90,7	3.57	3,9	56	16	225	450	17.7	635	25	2,45	1.65

HOSE PART NO	CLAMP PART NO	CLAMP ADJUSTMENT RANGE	RECOMMENDED TIGHTENING TORQUE	
		d mm	N.m	ft.lbf
SR12	RSC-3134	31 to 34	20	15
SR16	RSC-3740*	37 to 40	20	15
	RSC-4043*	40 to 43	20	15
SR40	RSC-7379	73 to 79	25	18
SR48	RSC-8591	85 to 91	25	18

**NOTE:** For sizes -20, -24 & -32, use RYCO SRF Hose.

\*Due to the manufacturing tolerance on outside diameter of the hose and the range of adjustment of the clamp, it is necessary to confirm correct clamp at time of assembly.



RYCO QUALITY