



PRESSURE COMPONENTS INC.



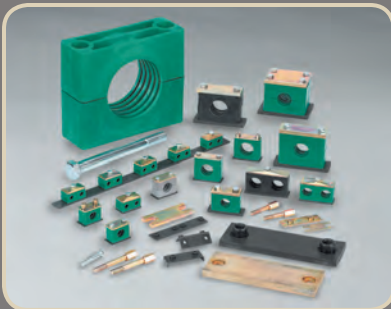
QUICK DISCONNECT COUPLINGS



DIAGNOSTIC PRODUCTS



VALVES



PIPE, TUBE AND HOSE CLAMPS

TABLE OF CONTENTS



QUICK COUPLINGS 1-39



DIAGNOSTICS & GAUGES 40-44



VALVES 45-72



CLAMPS 73-86



SERIES

QUICK COUPLINGS

PAGE

FF.....	1-4
HNV.....	5-8
ANV.....	9-10
NS/NV.....	11-13
71FF.....	14-15
PVV.....	16-17
FB.....	18-19
VVP.....	20-21
TNV/TNL.....	22-26
I.....	27-31
A.....	32
PT.....	33-35
BG.....	36
ST.....	37-39

DIAGNOSTICS & GAUGES

PPD.....	40
H900.....	41-43
PCLG.....	44

VALVES

NBKH.....	45
BKH.....	46
SKH.....	47-48
HRKH.....	49
RKH.....	50
STECKO.....	51
BK3.....	52-53
SK3.....	54
PV2/PV3.....	55
3KH/4KH.....	56-57
BKHU/BKHU3.....	58
Split Flange.....	59
Full Flange.....	60
Split x Full Flange.....	61
FCKH Wafer.....	62
Accessories.....	63
Actuators/Limit Switches.....	64
Quality/Warning Info.....	65
MPV.....	66
383.....	66
171N.....	67
SLB.....	68
FCV /NVI.....	69
VU.....	70-71
HSP.....	72

CLAMPS

Standard.....	73-77
Twin.....	78-81
Heavy.....	82-86

FF Series – Flush Face Couplings



QUICK COUPLINGS

The FF Series is a flat face dry break coupling that meets or exceeds the ISO 16028 standard.

FEATURES

- Heavy knurled sleeve
- Push to connect
- Sleeve lock standard
- Color identification rings available to help prevent the crossing of lines

APPLICATIONS

- Hydraulic tools
- Skidsteer loaders
- Agricultural
- Overhead bucket hoists
- Chemical
- Railway
- Public utilities

INTERCHANGEABILITY

- ISO 16028

MATERIALS

- Zinc plated steel with clear chromate and QPQ finish ROHS compliant
- 316 Stainless steel
- Buna-N seals



SIZES

- 1/8" to 2" nominal

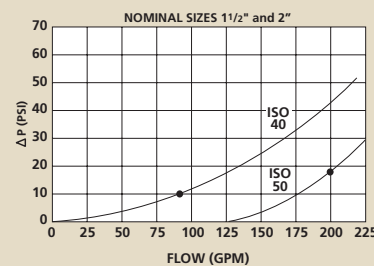
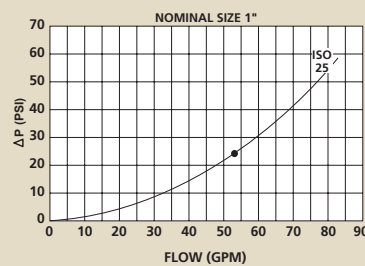
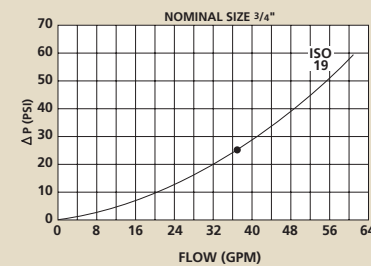
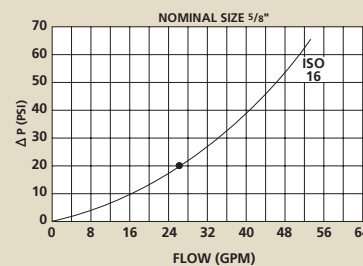
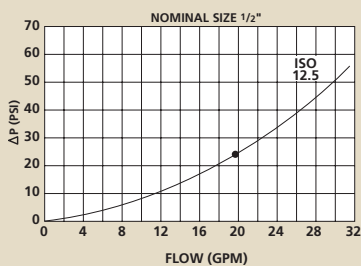
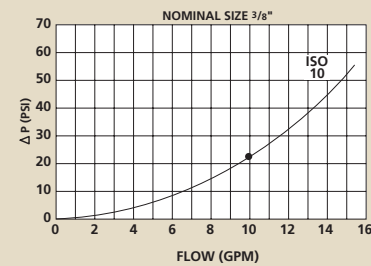
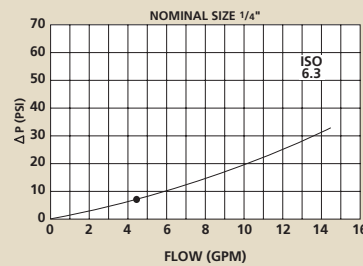
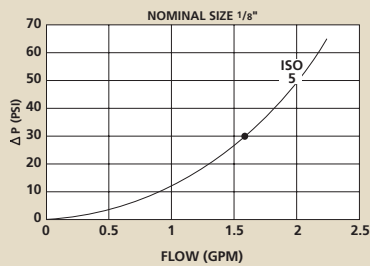
TEMP. RATING

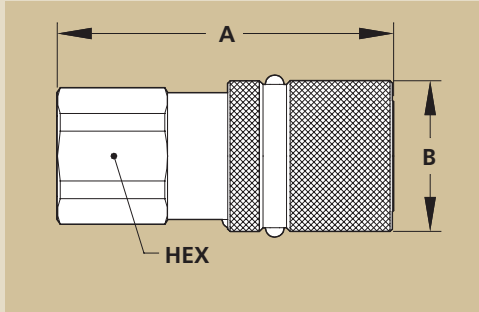
- -4°F to 200°F

RATED PRESSURE

- 5075 PSI max. operating pressure in sizes 1/8" to 1" in steel
- 3625 PSI max. in sizes 1 1/4" to 2" in steel
- 3625 PSI max. in stainless steel

PERFORMANCE:



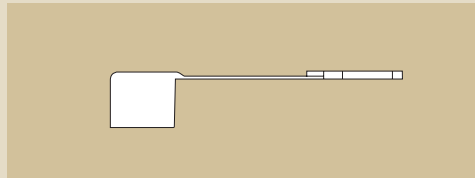


COUPLER

BODY SIZE	ISO SIZE	PART NUMBER		THREAD SIZE	DIMENSIONS (IN.)		
		STEEL	316 STAINLESS		A	B	HEX
1/8	5	FF02-N18F		1/8" NPTF	1.91	.98	.67
1/4	6.3	FF04-N14F	FFS04-N14F	1/4" NPTF	2.13	1.06	.87
1/4	6.3	FF04-S916F		9/16-18 ORB	2.13	1.06	.87
3/8	10	FF06-N38F	FFS06-N38F	3/8" NPTF	2.68	1.26	1.06
3/8	10	FF06-N12F	FFS06-N12F	1/2" NPTF	2.80	1.26	1.06
3/8	10	FF06-S916F		9/16-18 ORB	2.80	1.26	1.06
3/8	10	FF06-S34F	FFS06-S34F	3/4-16 ORB	2.80	1.26	1.06
1/2	12.5	FF08-N12F	FFS08-N12F	1/2" NPTF	3.23	1.50	1.42
1/2	12.5	FF08-N34F	FFS08-N34F	3/4" NPTF	3.35	1.50	1.42
1/2	12.5	FF08-S78F		7/8-14 ORB	3.35	1.50	1.42
1/2	12.5	FF08-S34F		3/4-16 ORB	3.23	1.50	1.42
1/2	12.5	FF08-S1116F	FFS08-S1116F	1 1/16-12 ORB	3.46	1.50	1.42
5/8	16	FF10-N12F		1/2" NPTF	3.23	1.65	1.42
5/8	16	FF10-N34F	FFS10-N34F	3/4" NPTF	3.35	1.65	1.42
5/8	16	FF10-S78F		7/8-14 ORB	3.35	1.65	1.42
5/8	16	FF10-S34F		3/4" NPTF	3.35	1.65	1.42
5/8	16	FF10-S1116F		1 1/16-12 ORB	3.46	1.65	1.42
3/4	19	FF12-N34F	FFS12-N34F	3/4" NPTF	3.78	1.81	1.65
3/4	19	FF12-N1F	FFS12-N1F	1" NPTF	3.78	1.81	1.65
3/4	19	FF12-S1116F		1 1/16-12 ORB	3.78	1.81	1.65
3/4	19	FF12-S1516F		1 5/16-12 ORB	3.78	1.81	1.65
1	25	FF16-N1F	FFS16-N1F	1" NPTF	4.06	2.17	2.17
1	25	FF16-N114F	FFS16-N114F	1 1/4" NPTF	4.06	2.17	2.17
1	25	FF16-S158F		1 5/8-12 ORB	4.06	2.17	2.17
1 1/2	40	FF24-N112F		1 1/2" NPTF	4.65	3.11	2.76
2	50	FF32-N2F		2" NPTF	5.81	3.15	3.15

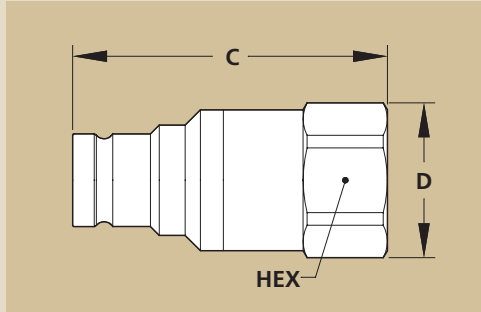
DUST PROTECTOR FOR COUPLER – RUBBER (RED)

SIZE	ISO SIZE	PART NUMBER
1/4	6.3	FF04-FC
3/8	10	FF06-FC
1/2	12.5	FF08-FC
5/8	16	FF10-FC
3/4	19	FF12-FC
1	25	FF16-FC



NOTE: 10,000 PSI FF couplings available. Contact PCI for details.

FF Series – ISO-16028

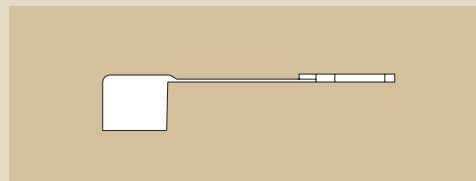


PLUG

BODY SIZE	ISO SIZE	PART NUMBER		THREAD SIZE	DIMENSIONS (IN.)		
		STEEL	316 STAINLESS		C	D	HEX
1/8	5	FF02-N18M		1/8" NPTF	1.72	.65	.67
1/4	6.3	FF04-N14M	FFS04-N14M	1/4" NPTF	2.01	.63	.87
1/4	6.3	FF04-S916M		9/16-18 ORB	2.01	.63	.87
3/8	10	FF06-N38M	FFS06-N38M	3/8" NPTF	2.56	.78	1.06
3/8	10	FF06-N12M	FFS06-N12M	1/2" NPTF	2.68	.78	1.06
3/8	10	FF06-S916M		9/16-18 ORB	2.68	.78	1.06
3/8	10	FF06-S34M	FFS06-S34M	3/4-16 ORB	2.68	.78	1.06
1/2	12.5	FF08-N12M	FFS08-N12M	1/2" NPTF	2.68	.96	1.42
1/2	12.5	FF08-N34M	FFS08-N34M	3/4" NPTF	2.80	.96	1.42
1/2	12.5	FF08-S78M		7/8-14 ORB	2.80	.96	1.42
1/2	12.5	FF08-S34M		3/4-16 ORB	2.68	.96	1.42
1/2	12.5	FF08-S1116M	FFS08-S1116M	1 1/16-12 ORB	2.91	.96	1.42
5/8	16	FF10-N12M		1/2" NPTF	2.68	1.06	1.42
5/8	16	FF10-N34M	FFS10-N34M	3/4" NPTF	2.80	1.06	1.42
5/8	16	FF10-S78M		7/8-14 ORB	2.80	1.06	1.42
5/8	16	FF10-S34M		3/4" NPTF	2.68	1.06	1.42
5/8	16	FF10-S1116M		1 1/16-12 ORB	2.91	1.06	1.42
3/4	19	FF12-N34M	FFS12-N34M	3/4" NPTF	3.74	1.18	1.65
3/4	19	FF12-N1M	FFS12-N1M	1" NPTF	3.74	1.18	1.65
3/4	19	FF12-S1116M		1 1/16-12 ORB	3.74	1.18	1.65
3/4	19	FF12-S1516M		1 5/16-12 ORB	3.74	1.18	1.65
1	25	FF16-N1M	FFS16-N1M	1" NPTF	4.09	1.42	2.17
1	25	FF16-N114M	FFS16-N114M	1 1/4" NPTF	4.09	1.42	2.17
1	25	FF16-S158M		1 5/8-12 ORB	4.09	1.42	2.17
1 1/2	40	FF24-N112M		1 1/2" NPTF	4.49	2.75	2.75
2	50	FF32-N2M		2" NPTF	6.82	3.15	3.15

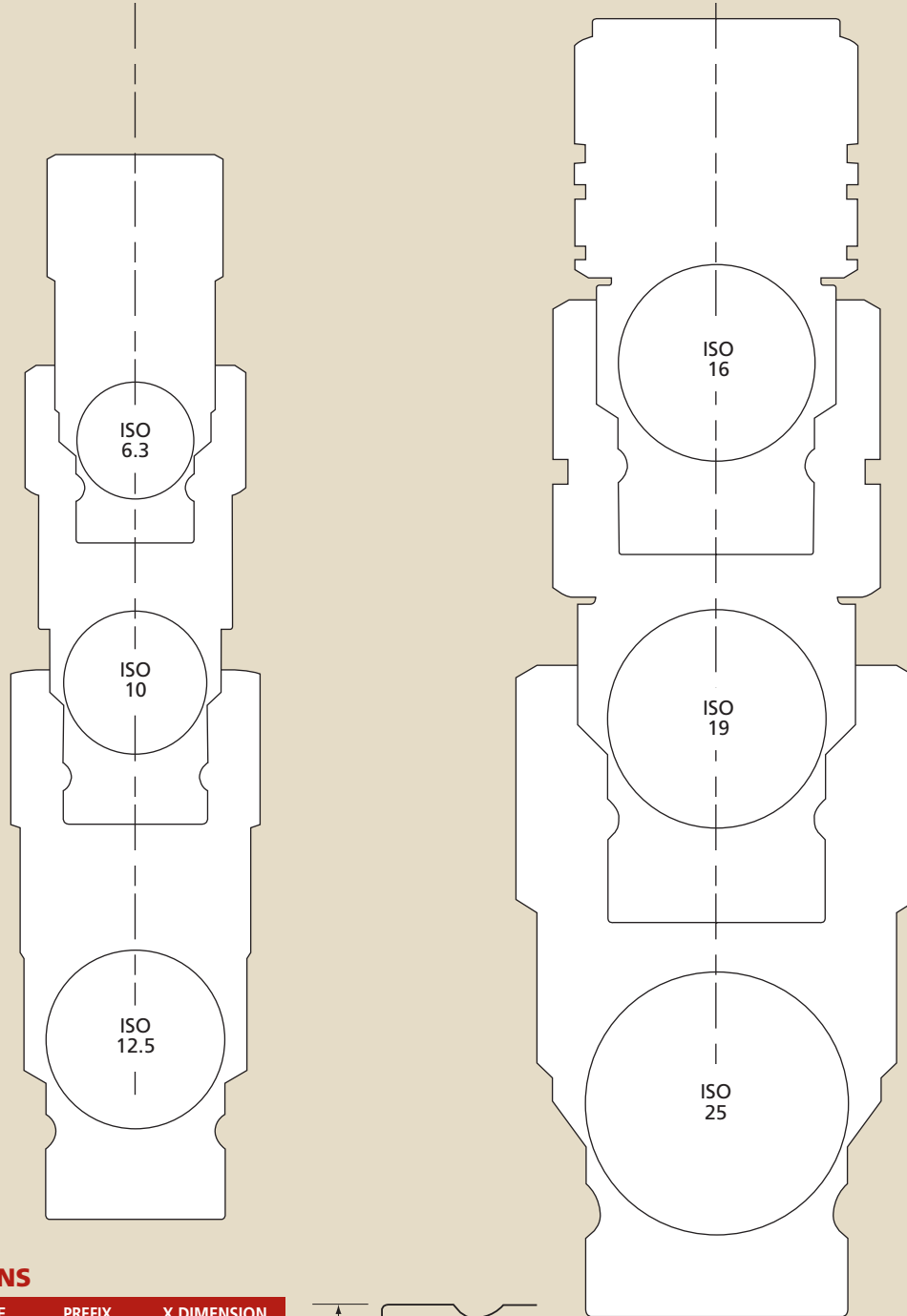
DUST PROTECTOR FOR PLUG – RUBBER (RED)

SIZE	ISO SIZE	PART NUMBER
1/4	6.3	FF04-MC
3/8	10	FF06-MC
1/2	12.5	FF08-MC
5/8	16	FF10-MC
3/4	19	FF12-MC
1	25	FF16-MC



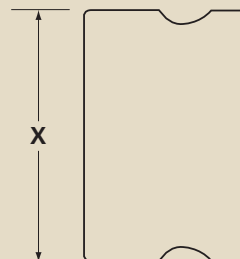
NOTE: 10,000 PSI FF couplings available. Contact PCI for details.

When selecting the appropriate size of FF Series couplings, please use this layover guide to help you choose the correct plug. Remember, ISO-16028 specifications are based on plug dimensions only.



PLUG DIMENSIONS

ISO SIZE	INCH SIZE	PREFIX	X DIMENSION
6.3	1/4"	FF04	.634
10	3/8"	FF06	.775
12.5	1/2"	FF08	.963
16	5/8"	FF10	1.062
19	3/4"	FF12	1.178
25	1"	FF16	1.417



HNV Series – Industrial Interchange

FEATURES

- Industry wide interchange
- High flow capacity
- Positive valve stop
- Bubble tight sealing
- Buna-O rings
- PTFE backup rings

APPLICATIONS

- Hydraulic
- Chemical
- Steam
- Vacuum
- Transportation
- Fluid transfer

INTERCHANGEABILITY

- ISO 7241-I Series B
- Parker
- Aeroquip
- Safeway
- Faster

MATERIALS

- Steel
- Brass
- 303 Stainless
- 316 Stainless

SIZES

- 1/8" to 3"

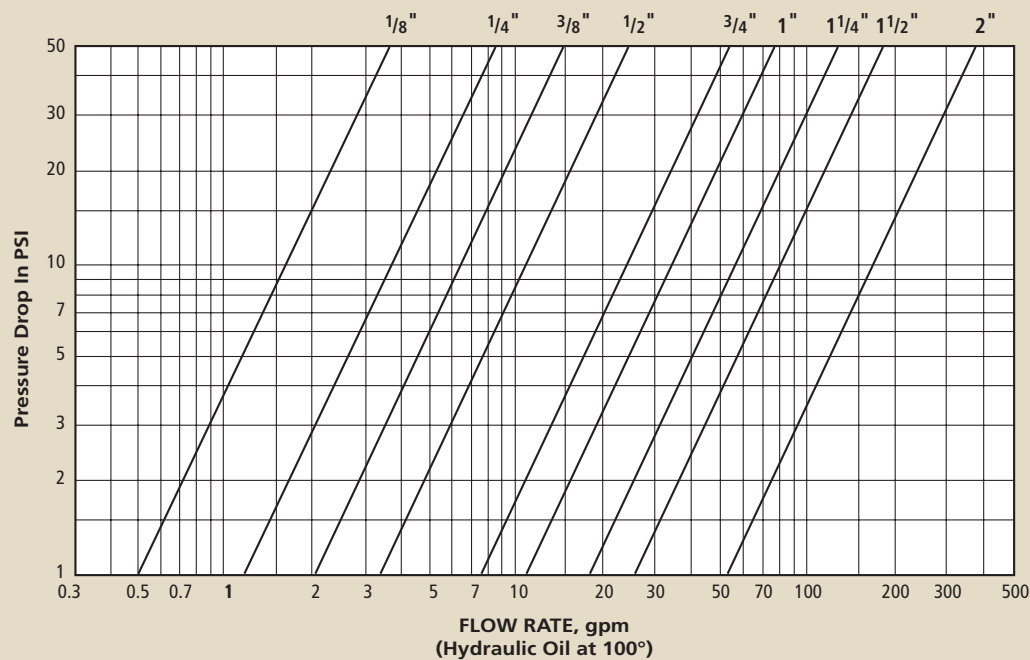
TEMP. RATING

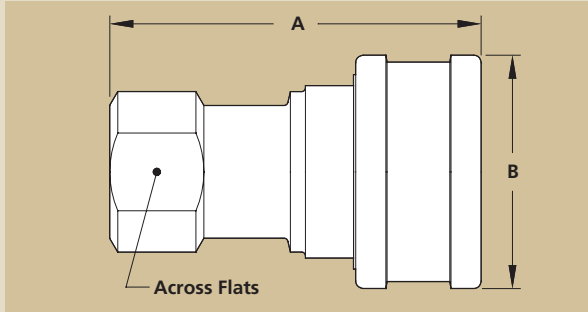
- -40°F to 250°F



RATED PRESSURE (PSI)

BODY SIZE	STEEL	BRASS	303 SS	316 SS
1/8	4000	3000	3500	3500
1/4	5000	3000	3500	3500
3/8	3700	2500	3500	3500
1/2	5000	2500	3500	3500
3/4	4000	2000	3000	3000
1	4000	1500	2000	2000
1 1/4	1700	1200	1700	
1 1/2	2200	1500	2200	
2 1/2	1500	700	1500	





COUPLER (NPT)

SIZE	PART NUMBER				THREAD	DIMENSIONS (IN.)		
	STEEL	BRASS	303 STAINLESS	316 STAINLESS		A	B	ACROSS FLATS
1/8	HNV-18-F	HNV-18-F-5	HNV-18-F-2	HNV-18-F-3	1/8" NPTF	1.91	.98	.56
1/4	HNV-14-F	HNV-14-F-5	HNV-14-F-2	HNV-14-F-3	1/4" NPTF	2.26	1.14	.75
3/8	HNV-38-F	HNV-38-F-5	HNV-38-F-2	HNV-38-F-3	3/8" NPTF	2.56	1.42	.88
1/2	HNV-12-F	HNV-12-F-5	HNV-12-F-2	HNV-12-F-3	1/2" NPTF	2.96	1.86	1.13
3/4	HNV-34-F	HNV-34-F-5	HNV-34-F-2	HNV-34-F-3	3/4" NPTF	3.48	2.22	1.31
1	HNV-1-F	HNV-1-F-5	HNV-1-F-2	HNV-1-F-3	1" NPTF	4.13	2.61	1.75

* Viton available – contact factory

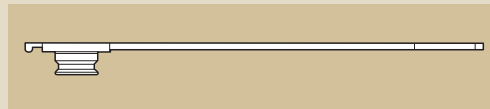
COUPLER (ORB)

SIZE	PART NUMBER			THREAD	A	B	ACROSS FLATS
	STEEL	303 STAINLESS					
1/8	HNV-18-SAE-F	HNV-18-SAE-F-2		7/16"-20 ORB	2.06	.98	.69
1/4	HNV-14-SAE-F	HNV-14-SAE-F-2		9/16"-18 ORB	2.40	1.14	.88
3/8	HNV-38-SAE-F	HNV-38-SAE-F-2		3/4"-16 ORB	2.74	1.42	1.00
1/2	HNV-12-SAE-F	HNV-12-SAE-F-2		7/8"-14 ORB	3.05	1.86	1.25
3/4	HNV-34-SAE-F	HNV-34-SAE-F-2		1 1/16"-12 ORB	3.67	2.22	1.38
1	HNV-1-SAE-F	HNV-1-SAE-F-2		1 5/16"-12 ORB	4.13	2.61	1.88

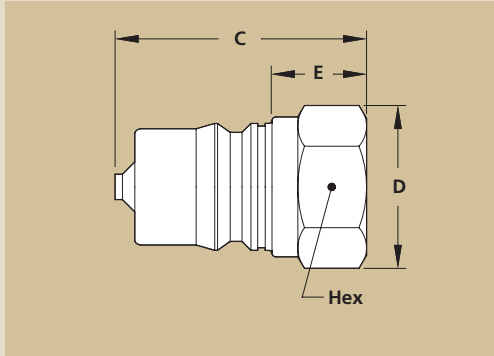
* Viton available – contact factory

DUST PROTECTOR FOR COUPLER

SIZE	PART NUMBER	
	RUBBER	ALUMINUM
1/8	TMH-18	
1/4	TMH-14	TMH-14-A
3/8	TMH-38	TMH-38-A
1/2	TMH-12	TMH-12-A
3/4	TMH-34	TMH-34-A
1	TMH-1	TMH-1-A



HNV Series – ISO-B 1/8"-1"



PLUG (NPT)

BODY SIZE	PART NUMBER				THREAD SIZE	DIMENSIONS (IN.)			
	STEEL	BRASS	303 STAINLESS	316 STAINLESS		C	D	E	HEX
1/8	HNV-18-M	HNV-18-M-5	HNV-18-M-2	HNV-18-M-3	1/8 NPTF	1.26	.65	.44	.56
1/4	HNV-14-M	HNV-14-M-5	HNV-14-M-2	HNV-14-M-3	1/4 NPTF	1.52	.87	.56	.75
3/8	HNV-38-M	HNV-38-M-5	HNV-38-M-2	HNV-38-M-3	3/8 NPTF	1.76	1.01	.61	.88
1/2	HNV-12-M	HNV-12-M-5	HNV-12-M-2	HNV-12-M-3	1/2 NPTF	2.03	1.30	.76	1.13
3/4	HNV-34-M	HNV-34-M-5	HNV-34-M-2	HNV-34-M-3	3/4 NPTF	2.36	1.52	.71	1.31
1	HNV-1-M	HNV-1-M-5	HNV-1-M-2	HNV-1-M-3	1 NPTF	2.85	1.88	.97	1.63

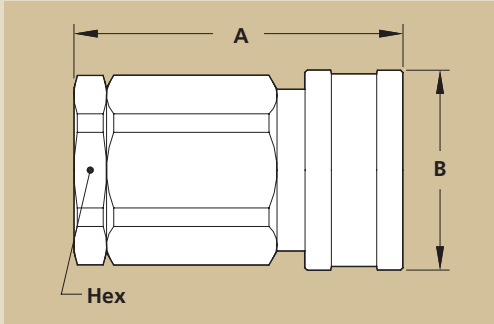
PLUG (ORB)

BODY SIZE	PART NUMBER		THREAD SIZE	DIMENSIONS (IN.)			
	STEEL	303 STAINLESS		C	D	E	HEX
1/8	HNV-18-SAE-M	HNV-18-SAE-M-2	7/16-20 ORB	1.41	.79	.59	.69
1/4	HNV-14-SAE-M	HNV-14-SAE-M-2	9/16-18 ORB	1.66	1.01	.70	.88
3/8	HNV-38-SAE-M	HNV-38-SAE-M-2	3/4-16 ORB	1.94	1.15	.79	1.00
1/2	HNV-12-SAE-M	HNV-12-SAE-M-2	7/8-14 ORB	2.11	1.37	.84	1.19
3/4	HNV-34-SAE-M	HNV-34-SAE-M-2	1 1/16-12 ORB	2.54	1.59	.89	1.38
1	HNV-1-SAE-M	HNV-1-SAE-M-2	1 5/16-12 ORB	2.85	2.17	.97	1.88

DUST PROTECTOR FOR PLUG

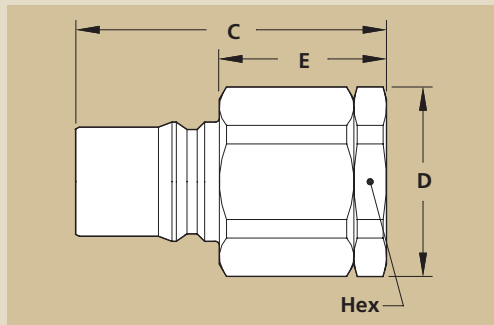
SIZE	PART NUMBER	
	RUBBER	ALUMINUM
1/8	TFH-18	
1/4	TFH-14	TFH-14-A
3/8	TFH-38	TFH-38-A
1/2	TFH-12	TFH-12-A
3/4	TFH-34	TFH-34-A
1	TFH-1	TFH-1-A





COUPLER

BODY SIZE	PART NUMBER			THREAD SIZE	DIMENSIONS (IN.)		
	STEEL	BRASS	303 STAINLESS		A	B	HEX
1 1/4	HNV-114-F	HNV-114-F-5	HNV-114-F-2	1 1/4 NPTF	4.51	2.73	2.38
1 1/2	HNV-112/114-F	HNV-112/114-F-5	HNV-112/114-F-2	1 1/4 NPTF	4.82	3.23	2.38
1 1/2	HNV-112-F	HNV-112-F-5	HNV-112-F-2	1 1/2 NPTF	4.82	3.23	2.38
2 1/2	HNV-2-F	HNV-2-F-5	HNV-2-F-2	2 NPTF	5.55	4.11	3.75
2 1/2	HNV-212-F	HNV-212-F-5	HNV-212-F-2	2 1/2 NPTF	6.14	4.11	3.75
2 1/2	HNV-3-F	HNV-3-F-5	HNV-3-F-2	3 NPTF	7.00	4.11	4.00



PLUG

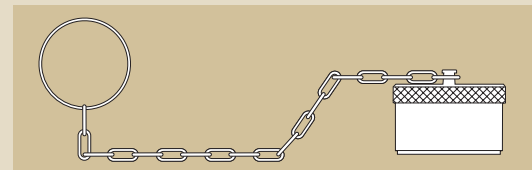
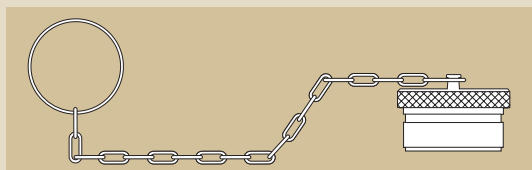
BODY SIZE	PART NUMBER			THREAD SIZE	DIMENSIONS (IN.)			
	STEEL	BRASS	303 STAINLESS		C	D	E	HEX
1 1/4	HNV-114-M	HNV-114-M-5	HNV-114-M-2	1 1/4 NPTF	4.25	2.73	2.33	2.38
1 1/2	HNV-112/114-M	HNV-112/114-M-5	HNV-112/114-M-2	1 1/4 NPTF	4.76	3.03	2.67	2.38
1 1/2	HNV-112-M	HNV-112-M-5	HNV-112-M-2	1 1/2 NPTF	4.76	3.03	2.67	2.38
2 1/2	HNV-2-M	HNV-2-M-5	HNV-2-M-2	2 NPTF	5.49	4.31	2.97	3.75
2 1/2	HNV-212-M	HNV-212-M-5	HNV-212-M-2	2 1/2 NPTF	6.08	4.31	3.56	3.75
2 1/2	HNV-3-M	HNV-3-M-5	HNV-3-M-2	3 NPTF	6.94	4.31	4.42	4.00

DUST PROTECTOR FOR COUPLER PART NUMBER

SIZE	ALUMINUM
1 1/2	TMH-112-A
2 1/2	TMH-212-A

DUST PROTECTOR FOR PLUG PART NUMBER

SIZE	ALUMINUM
1 1/2	TFH-112-A
2 1/2	TFH-212-A



ANV Series

QUICK COUPLINGS

FEATURES

- Ball lock
- Manual connect, disconnect
- Poppet valving
- Slim profile
- Zinc plated steel

APPLICATIONS

- Construction
- Agricultural
- General industry
- Fluid transfer

INTERCHANGEABILITY

- ISO 7241-I Series A

MATERIALS

- Zinc plated steel
- Stainless steel spring, balls and retaining ring
- Buna-N seals

TEMP. RATING

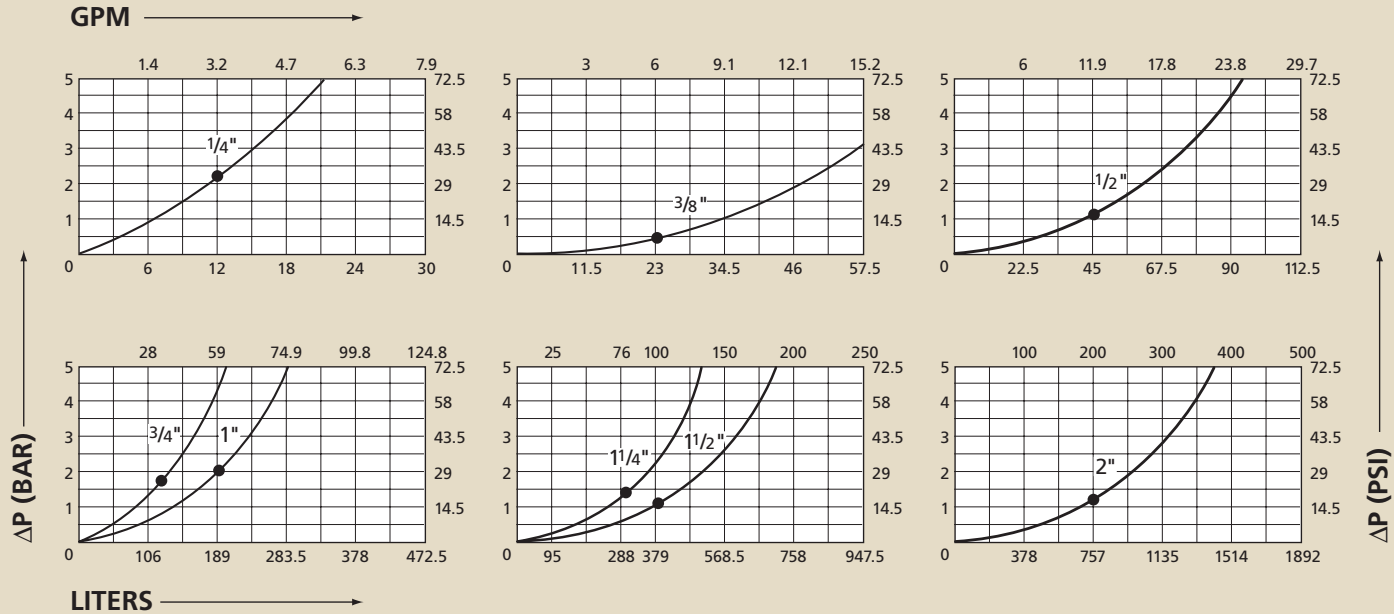
- -4°F to 212°F

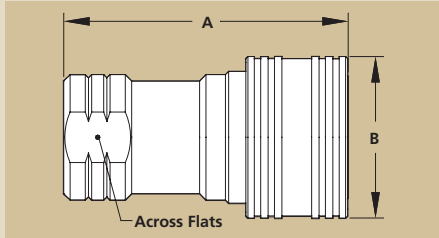


RATED PRESSURE

BODY SIZE	PSI
1/4	5500
3/8	4565
1/2	3625
3/4	3625
1	2900
1 1/4	3625
1 1/2	2900
2	2755

PERFORMANCE



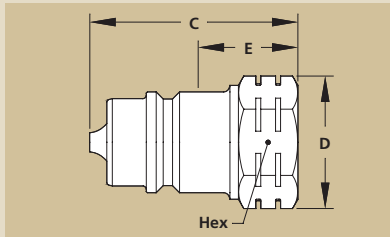
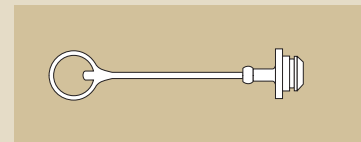


COUPLER

BODY SIZE	PART NUMBER	THREAD	DIMENSIONS (IN.)		
			A	B	ACROSS FLATS
1/4	ANV-14-F	1/4" NPTF	1.89	.98	.75
1/4	ANV-14-SAE-F	7/16-20 ORB	2.00	1.02	.75
3/8	ANV-38-F	3/8" NPTF	2.21	1.18	.91
3/8	ANV-38-SAE-F	9/16-18 ORB	2.30	1.26	.94
1/2	NV-12-F	1/2" NPTF	2.64	1.49	1.06
1/2	NV-12-SAE-F	3/4-16 ORB	2.63	1.48	1.06
1/2	NV-12/78-SAE-F	7/8-14 ORB	2.59	1.49	1.18
3/4	ANV-34-F	3/4" NPTF	3.25	1.88	1.38
3/4	ANV-34-SAE-F	11/16-12 ORB	3.29	1.81	1.49
1	ANV-1-F	1" NPTF	3.86	2.08	1.62
1	ANV-1-SAE-F	15/16-12 ORB	3.82	2.17	1.81
1 1/4	ANV-114-F	1 1/4" NPTF	4.61	2.76	1.97
1 1/2	ANV-112-F	1 1/2" NPTF	5.24	3.78	2.36
2	ANV-2-F	2" NPTF	6.65	3.90	2.95

DUST PROTECTOR FOR COUPLER (RED)

BODY SIZE	PART NUMBER
1/4	TMA-14
3/8	TMA-38
1/2	TM-12-R
3/4	TMA-34
1	TMA-1

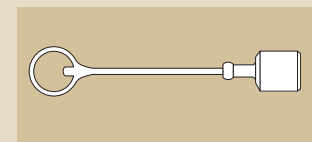


PLUG

BODY SIZE	PART NUMBER	THREAD	DIMENSIONS (IN.)			
			C	D	E	HEX
1/4	ANV-14-M	1/4" NPTF	1.41	.86	.80	.75
1/4	ANV-14-SAE-M	7/16-20 ORB	1.41	1.12	.75	.73
3/8	ANV-38-M	3/8" NPTF	1.63	1.04	.79	.91
3/8	ANV-38-SAE-M	9/16-18 ORB	1.59	1.42	.87	.84
1/2	NV-12-M	1/2" NPTF	1.92	1.22	.92	1.06
1/2	*2NV-12-SAE-M	3/4-16 ORB	2.04	1.06	1.03	1.06
1/2	NV-12/78-SAE-M	7/8-14 ORB	1.92	1.86	1.06	1.03
3/4	ANV-34-M	3/4" NPTF	2.42	1.58	1.09	1.38
3/4	ANV-34-SAE-M	11/16-12 ORB	2.43	3.55	1.32	1.43
1	ANV-1-M	1" NPTF	2.81	1.85	1.19	1.62
1	ANV-1-SAE-M	15/16-12 ORB	2.48	4.12	1.61	1.58
1 1/4	ANV-114-M	1 1/4" NPTF	2.95	3.30	1.32	1.97
1 1/2	ANV-112-M	1 1/2" NPTF	3.30	3.73	1.36	2.36
2	ANV-2-M	2" NPTF	4.25	4.98	1.95	2.95

DUST PROTECTOR FOR PLUG (RED)

BODY SIZE	PART NUMBER
1/4	TFA-14
3/8	TFA-38
1/2	TF-12-R
3/4	TFA-34
1	TFA-1



* Connectable under pressure.

NS/NV Series – Agricultural Couplings

QUICK COUPLINGS

FEATURES

- ISO 5675 interchange
- High concentration of locking balls
- Ball or poppet valving

APPLICATIONS

- Construction
- Agricultural
- Forestry
- Oil tools
- Steel mill machinery
- Fluid transfer

INTERCHANGEABILITY

- Parker
- Safeway
- Faster
- Snap-Tite

MATERIALS

- Steel

SIZES – BALL TYPE

- 1/4" to 3/4"

SIZES – POPPET TYPE

- 1/4" to 2"

TEMP. RATING

- -40°F to 240°F

PERFORMANCE

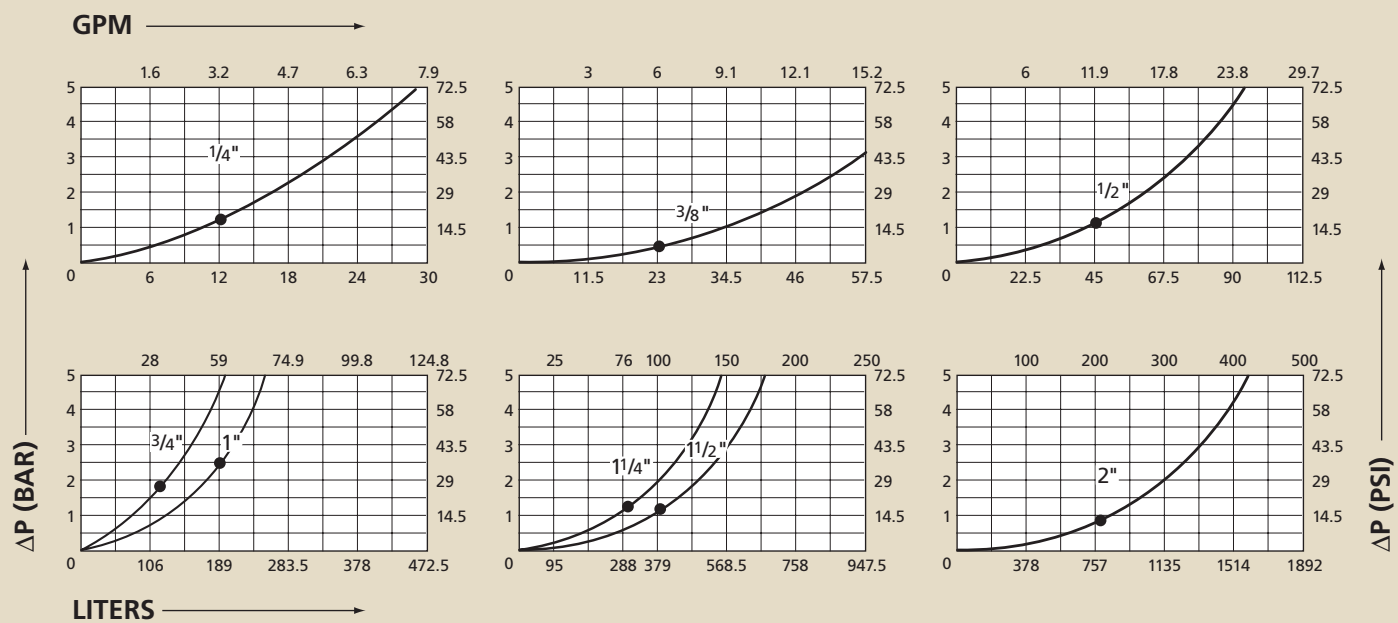


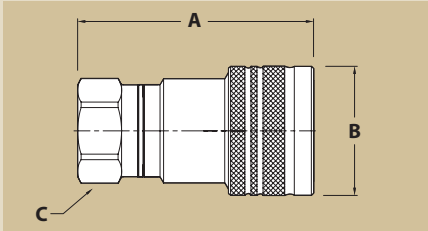
RATED PRESSURE (PSI) – BALL TYPE

BODY SIZE	STEEL
1/4	4400
3/8	3625
1/2	3045
3/4	3045

RATED PRESSURE (PSI) – POPPET TYPE

BODY SIZE	STEEL
1/4	5880
3/8	5145
1/2	3675
3/4	3675
1	3675
1 1/4	3300
1 1/2	2900
2	1470

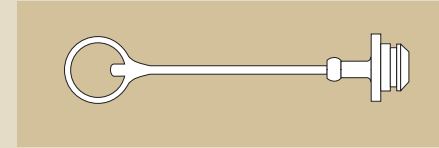




COUPLER

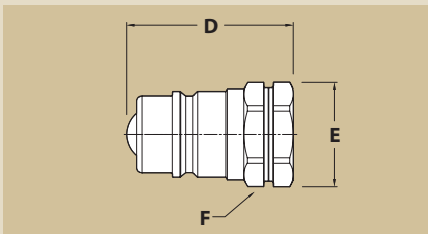
BODY SIZE	PART NUMBER	THREAD	DIMENSIONS (IN.)		
			A	B	C
1/4	NS-14-F	1/4" NPTF	2.19	1.06	.75
3/8	NS-38-F	3/8" NPTF	2.48	1.34	.94
1/2	NS-12-F	1/2" NPTF	2.76	1.50	1.06
3/4	*NS-34-F	3/4" NPTF	5.20	2.05	1.61
3/4	NSP-34-F	3/4" NPTF	4.49	1.85	1.34

* FASTER Interchange only.



DUST PROTECTOR FOR COUPLER

SIZE	PART NUMBER	COLOR
1/4	TM-14-R	RED
3/8	TM-38-R	RED
1/2	TM-12	BLACK
1/2	TM-12-R	RED
1/2	TM-12-B	BLUE
1/2	TM-12-G	GREEN
1/2	TM-12-Y	YELLOW



PLUG

BODY SIZE	PART NUMBER	THREAD	DIMENSIONS (IN.)		
			D	E	F
1/4	NS-14-M	1/4" NPTF	1.50	.75	.75
3/8	NS-38-M	3/8" NPTF	1.67	.94	.94
1/2	**2NS-12-M	1/2" NPTF	1.89	1.06	1.06
3/4	*NS-34-M	3/4" NPTF	2.58	1.61	1.61
3/4	NSP-34-M	3/4" NPTF	2.24	1.34	1.34

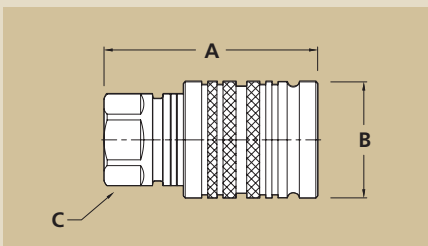
* FASTER Interchange only.

** Connectable under pressure. (Up to 2750 PSI)



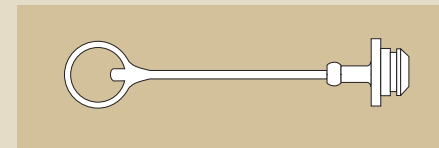
DUST PROTECTOR FOR PLUG

SIZE	PART NUMBER	COLOR
1/4	TF-14-R	RED
3/8	TF-38-R	RED
1/2	TF-12	BLACK
1/2	TF-12-R	RED
1/2	TF-12-B	BLUE
1/2	TF-12-G	GREEN
1/2	TF-12-Y	YELLOW



DOUBLE ACTING SLEEVE COUPLER

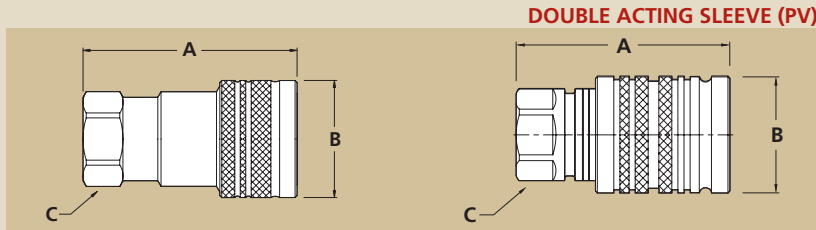
BODY SIZE	PART NUMBER	THREAD	DIMENSIONS (IN.)		
			A	B	C
1/2	PS-12-F	1/2" NPTF	2.76	1.50	1.06



DUST PROTECTOR FOR COUPLER

SIZE	PART NUMBER	COLOR
1/2	TM-12	BLACK
1/2	TM-12-R	RED
1/2	TM-12-B	BLUE
1/2	TM-12-G	GREEN
1/2	TM-12-Y	YELLOW

NV Series – Poppet Type



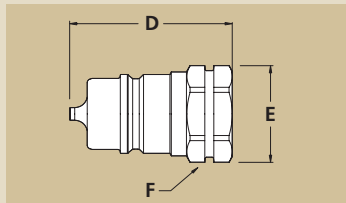
COUPLER

BODY SIZE	PART NUMBER	THREAD	DIMENSIONS (IN.)		
			A	B	C
1/4	NV-14-F	1/4" NPTF	2.19	1.06	.75
1/4	NV-14-BSP-F	1/4" BSPP	2.19	1.06	.75
3/8	NV-38-F	3/8" NPTF	2.48	1.34	.94
3/8	NV-38-BSP-F	3/8" BSPP	2.48	1.34	.94
1/2	NV-12-F	1/2" NPTF	2.76	1.50	1.06
1/2	NV-12-SAE-F	3/4"-16 ORB	2.76	1.50	1.06
1/2	NV-12-BSP-F	1/2" BSPP	2.76	1.50	1.06
1/2	NV-12/78-SAE-F	7/8"-14 ORB	2.76	1.50	1.06
1/2	PV-12-F	1/2" NPTF	2.76	1.50	1.06
1/2	PV-12-SAE-F	3/4"-16 ORB	2.76	1.50	1.06
1/2	PV-12/34-F	3/4" NPTF	2.76	1.50	1.06
3/4	**NV-34-F	3/4" NPTF	3.39	2.05	1.34
3/4	**NV-34-BSP-F	3/4" BSPP	3.39	2.05	1.34
1	NV-1-F	1" NPTF	3.90	2.05	1.61
1 1/4	NV-114-F	1 1/4" NPTF	4.61	2.76	1.97
1 1/2	NV-112-F	1 1/2" NPTF	5.04	3.30	2.36
2	NV-2-F	2" NPTF	5.98	4.65	2.95

DUST PROTECTOR FOR COUPLER

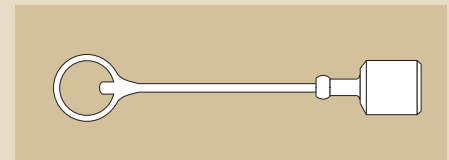
SIZE	PART NUMBER	COLOR
1/4	TM-14-R	RED
3/8	TM-38-R	RED
1/2	TM-12	BLACK
1/2	TM-12-R	RED
1/2	TM-12-B	BLUE
1/2	TM-12-G	GREEN
1/2	TM-12-Y	YELLOW

** FASTER Interchange only.



PLUG

BODY SIZE	PART NUMBER	THREAD	DIMENSIONS (IN.)		
			D	E	F
1/4	NV-14-M	1/4" NPTF	1.50	.75	.75
1/4	NV-14-BSP-M	1/4" BSPP	1.50	.75	.75
3/8	NV-38-M	3/8" NPTF	1.67	.94	.94
3/8	NV-38-BSP-M	3/8" BSPP	1.67	.94	.94
1/2	*2NV-12-M	1/2" NPTF	1.89	1.06	1.06
1/2	*2NV-12-SAE-M	3/4"-16 ORB	1.89	1.06	1.06
1/2	NV-12-BSP-M	1/2" BSPP	1.89	1.06	1.06
1/2	NV-12/78-SAE-M	7/8"-14 ORB	1.89	1.06	1.06
1/2	NV-12/34-M	3/4" NPTF	1.89	1.06	1.06
3/4	**NV-34-M	3/4" NPTF	2.58	1.34	1.34
3/4	**NV-34-BSP-M	3/4" BSPP	2.58	1.34	1.34
1	NV-1-M	1" NPTF	2.58	2.58	1.61
1 1/4	NV-114-M	1 1/4" NPTF	2.95	2.95	1.97
1 1/2	NV-112-M	1 1/2" NPTF	3.29	3.29	2.36
2	NV-2-M	2" NPTF	3.94	3.94	2.95



DUST PROTECTOR FOR PLUG

SIZE	PART NUMBER	COLOR
1/4	TF-14-R	RED
3/8	TF-38-R	RED
1/2	TF-12	BLACK
1/2	TF-12-R	RED
1/2	TF-12-B	BLUE
1/2	TF-12-G	GREEN
1/2	TF-12-Y	YELLOW

* Connectable under pressure. (Up to 2750 PSI)

** FASTER Interchange only.



71FF Series – Flush Face Heavy Duty Service Couplings

QUICK COUPLINGS

FEATURES

- Flush face – no spill
- Heavy duty grooved sleeves
- Designed to exceed 1,000,000 cycles

APPLICATIONS

- Heavy impulse construction
- Oil platforms
- Petroleum extraction
- Test stands
- Chemical

INTERCHANGEABILITY

- Snap-Tite 71
- Dixon ST

MATERIALS

- Steel
- 316 Stainless steel

SIZES

- 1/4" – 2"

TEMP. RATING

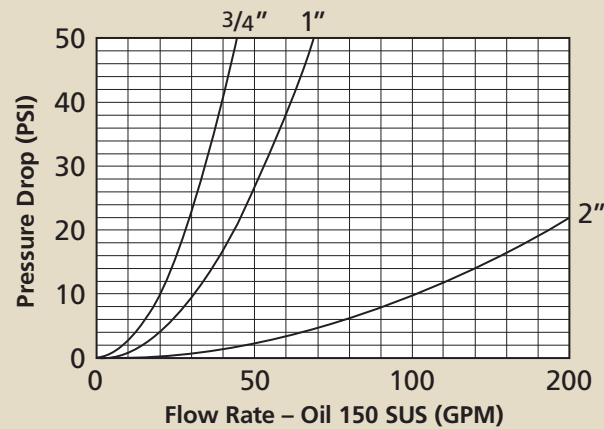
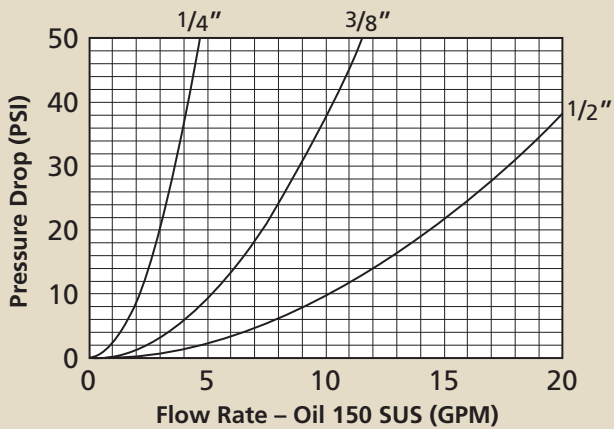
- -40°F to 250°F



RATED PRESSURE – PSI

SIZE	STEEL	316 STAINLESS
1/4	10,000	5000
3/8	10,000	5000
1/2	10,000	5000
3/4	8500	5000
1	8000	4000
2	6500	3000

PERFORMANCE



AVAILABLE
Snap-Tite 75 Series Interchange
Sizes 3/4"- 2"

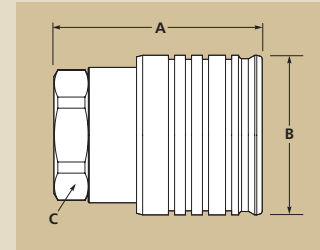
Contact PCI for details.

71FF Series

QUICK COUPLINGS

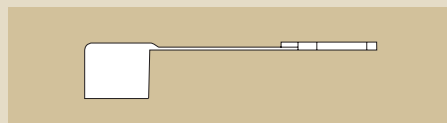
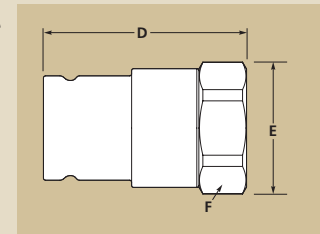
COUPLER

BODY SIZE	PART NUMBER			DIMENSIONS (IN.)		
	STEEL	316 STAINLESS	THREAD	A	B	C
1/4	71FF-N14F	71FF-N14F-3	1/4" NPTF	1.96	1.23	.94
3/8	71FF-N38F	71FF-N38F-3	3/8" NPTF	2.36	1.60	1.19
3/8	71FF-N38-12F	71FF-N38-12F-3	1/2" NPTF	2.36	1.60	1.19
1/2	71FF-N12F	71FF-N12F-3	1/2" NPTF	2.77	1.98	1.50
3/4	71FF-N34F	71FF-N34F-3	3/4" NPTF	3.03	2.35	1.75
3/4	71FF-S1116F	71FF-S1116F-3	1 1/16"-12 ORB	3.03	2.35	1.75
1	71FF-N1F	71FF-N1F-3	1" NPTF	3.33	2.73	2.00
1	71FF-S1516F	71FF-S1516F-3	1 5/16"-12 ORB	3.33	2.73	2.00
1	71FF-S158F	71FF-S158F-3	1 5/8"-12 ORB	3.67	2.73	2.00
1	71FF-N114F	71FF-N114F-3	1 1/4" NPTF	3.67	2.73	2.00
2	71FF-N112F		1 1/2" NPTF	6.21	4.48	3.38
2	71FF-S178F		1 7/8"-12 ORB	6.21	4.48	3.38
2	71FF-N2F		2" NPTF	6.21	4.48	3.38
2	71FF-S212F		2 1/2"-12 ORB	6.21	4.48	3.38



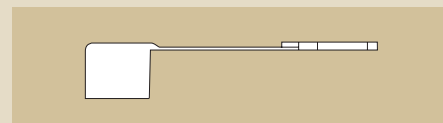
PLUG

BODY SIZE	PART NUMBER			DIMENSIONS (IN.)		
	STEEL	316 STAINLESS	THREAD	D	E	F
1/4	71FF-N14M	71FF-N14M-3	1/4" NPTF	1.84	.90	.82
3/8	71FF-N38M	71FF-N38M-3	3/8" NPTF	2.32	1.48	1.00
3/8	71FF-N38-12M	71FF-N38-12M-3	1/2" NPTF	2.32	1.48	1.00
1/2	71FF-N12M	71FF-N12M-3	1/2" NPTF	2.37	1.65	1.50
3/4	71FF-N34M	71FF-N34M-3	3/4" NPTF	2.96	1.92	1.75
3/4	71FF-S1116M	71FF-S1116M-3	1 1/16"-12 ORB	2.96	1.92	1.75
1	71FF-N1M	71FF-N1M-3	1" NPTF	3.22	2.10	1.78
1	71FF-S1516M	71FF-S1516M-3	1 5/16"-12 ORB	3.22	2.10	1.78
1	71FF-S158M	71FF-S158M-3	1 5/8"-12 ORB	3.22	2.10	1.78
1	71FF-N114M	71FF-N114M-3	1 1/4" NPTF	3.22	2.10	1.78
2	71FF-N112M		1 1/2" NPTF	4.50	3.48	3.25
2	71FF-S178M		1 7/8"-12 ORB	4.50	3.48	3.25
2	71FF-N2M		2" NPTF	4.50	3.48	3.25
2	71FF-S212M		2 1/2"-12 ORB	4.50	3.48	3.25



DUST PROTECTOR FOR COUPLER (ALUMINUM)

SIZE	PART NUMBER
1/4	71FF-14-FCA
3/8	71FF-38-FCA
1/2	71FF-12-FCA
3/4	71FF-34-FCA
1	71FF-1-FCA
2	71FF-2-FCA



DUST PROTECTOR FOR PLUG (ALUMINUM)

SIZE	PART NUMBER
1/4	71FF-14-MCA
3/8	71FF-38-MCA
1/2	71FF-12-MCA
3/4	71FF-34-MCA
1	71FF-1-MCA
2	71FF-2-MCA

FEATURES

- Up to 14,000 PSI working pressure
- Solid bar stock
- Connect/disconnect under pressure
- Polyurethane body seal

APPLICATIONS

- Extreme pressure
- Hydraulic jacks
- High pressure test stands

INTERCHANGEABILITY

- Parker
- Faster
- Safeway
- Enerpac

MATERIALS

- Steel
- 316 Stainless steel

SIZES

- 1/4" – 3/8"



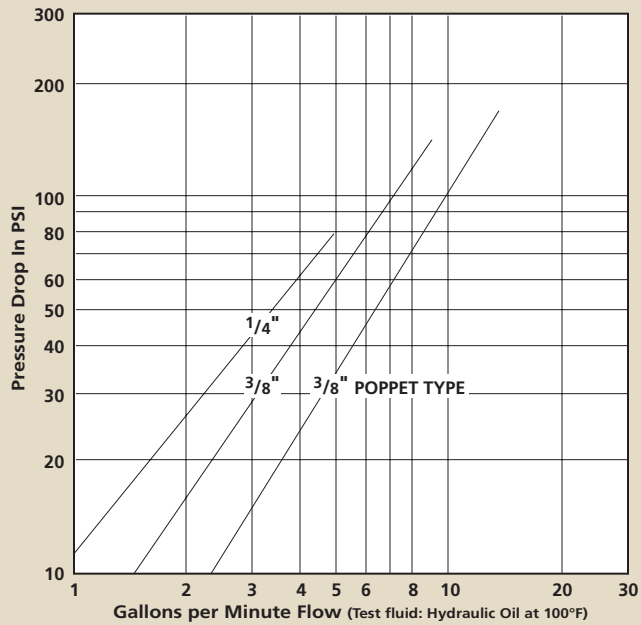
TEMP. RATING

- -4°F to 200°F

RATED PRESSURE

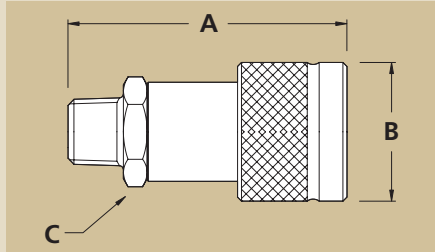
- 10,000 PSI – Ball type – steel and 316 stainless steel
- 14,000 PSI – Poppet type – steel

PERFORMANCE:

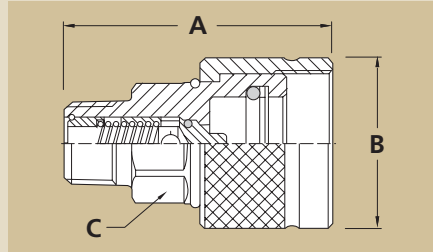


PVV Series – High Pressure Couplings

BALL TYPE (PVV)



POPPET TYPE (PVVP)

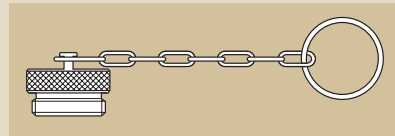


COUPLER

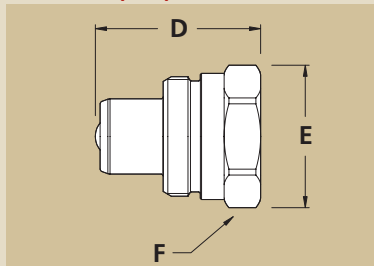
BODY SIZE	PART NUMBER			DIMENSIONS (IN.)		
	STEEL	316 STAINLESS	THREAD	A	B	C
1/4	PVV-14-F		1/4" NPT	2.09	1.18	.87
3/8	PVV-38-F	PVV-38-F-SS	3/8" NPT	2.54	1.38	.95
3/8	PVVP-38-F		3/8" NPT	2.20	1.38	1.06

DUST PROTECTOR FOR COUPLER (ALUMINUM)

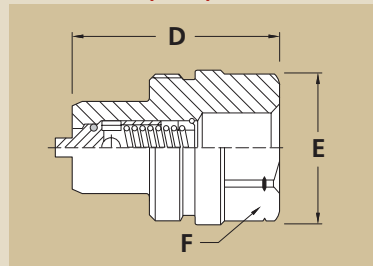
SIZE	PART NUMBER
1/4	TMP-14
3/8	TMP-38



BALL TYPE (PVV)



POPPET TYPE (PVVP)

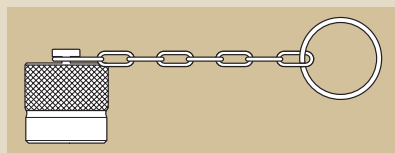


PLUG

BODY SIZE	PART NUMBER			DIMENSIONS (IN.)		
	STEEL	316 STAINLESS	THREAD	D	E	F
1/4	PVV-14-M		1/4" NPT	1.54	1.60	.75
3/8	PVV-38-M	PVV-38-M-SS	3/8" NPT	1.59	1.65	1.26
3/8	PVVP-38-M		3/8" NPT	1.67	1.80	.87

DUST PROTECTOR FOR PLUG (ALUMINUM)

SIZE	PART NUMBER
1/4	TFP-14
3/8	TFP-38



FEATURES

- Connect/disconnect under pressure
- Brass construction
- O-ring connected marker
- Wing or hex nut

APPLICATIONS

- Wet line hydraulic systems
- Oil field
- Mobile drilling rigs
- Submersible pumps

INTERCHANGEABILITY

- Parker
- Aeroquip
- Faster

MATERIALS

- Brass

SIZES

- 1/2"– 1 1/2"

TEMP. RATING

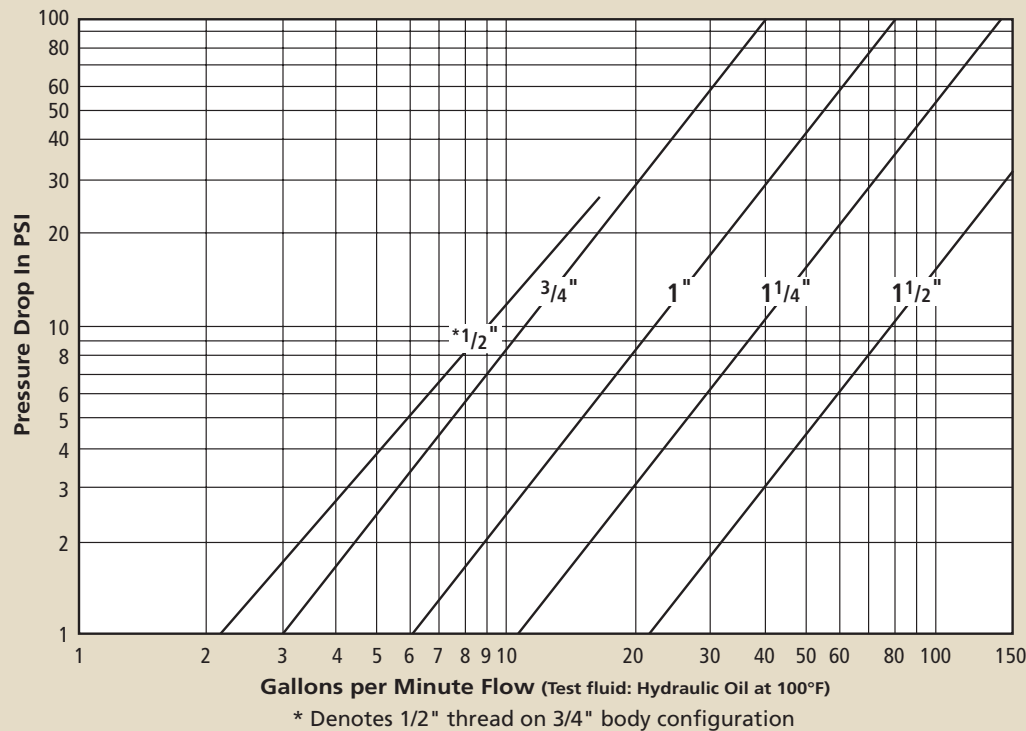
- -4°F to 200°F

RATED PRESSURE

- 1/2"– 1" 3000 PSI
- 1 1/4"– 1 1/2" 2750 PSI



PERFORMANCE:

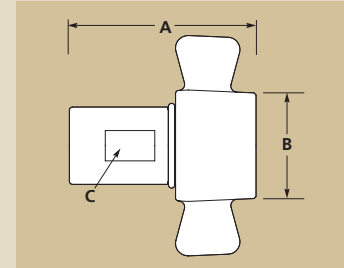


FB Series – Wing Nut Couplings

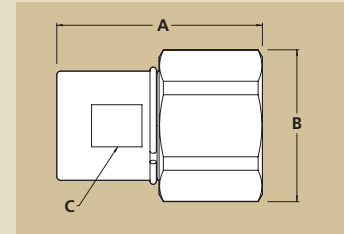
COUPLER

BODY SIZE	PART NUMBER		DIMENSIONS (IN.)		
	BRASS	THREAD	A	B	C
3/4	FB-08-F	1/2" NPT	3.09	4.06	1.15
3/4	FB-08-F-H	1/2" NPT	3.09	1.92	1.15
3/4	FB-12-F	3/4" NPT	3.09	4.06	1.15
3/4	FB-12-F-H	3/4" NPT	3.09	1.92	1.15
1	FB-16-F	1" NPT	3.78	4.45	1.44
1	FB-16-F-H	1" NPT	3.78	2.33	1.44
1 1/4	FB-20-F	1 1/4" NPT	3.97	5.20	1.78
1 1/4	FB-20-F-H	1 1/4" NPT	3.97	2.74	1.78
1 1/2	FB-24-F	1 1/2" NPT	4.06	5.25	2.00
1 1/2	FB-24-F-H	1 1/2" NPT	4.06	3.01	2.00

WING STYLE

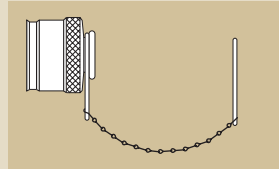


HEX STYLE (-H)



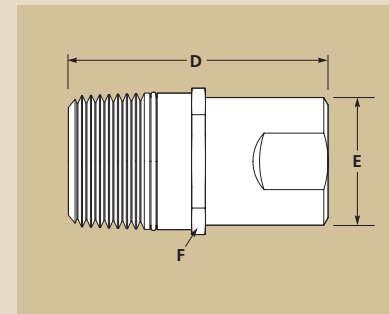
DUST PROTECTOR FOR COUPLER (BRASS)

SIZE	PART NUMBER
3/4	FBM-12
1	FBM-16
1 1/4	FBM-20
1 1/2	FBM-24



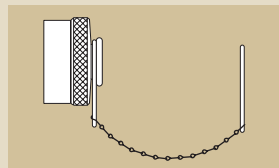
PLUG

BODY SIZE	PART NUMBER		DIMENSIONS (IN.)		
	BRASS	THREAD	D	E	F
3/4	FB-08-M	1/2" NPT	3.10	1.31	1.62
3/4	FB-12-M	3/4" NPT	3.10	1.31	1.62
1	FB-16-M	1" NPT	3.55	1.56	1.87
1 1/4	FB-20-M	1 1/4" NPT	3.71	1.88	2.12
1 1/2	FB-24-M	1 1/2" NPT	4.06	2.00	2.51



DUST PROTECTOR FOR PLUG (BRASS)

SIZE	PART NUMBER
3/4	FBF-12
1	FBF-16
1 1/4	FBF-20
1 1/2	FBF-24





VVP Series – Heavy Duty Couplings

QUICK COUPLINGS

FEATURES

- Connect/disconnect under pressure
- Heavy-duty construction
- O-Ring connected marker
- Unique thread profile for smooth operation
- Ideal for systems experiencing pressure spikes

APPLICATIONS

- Hydraulic
- Fluid transfer
- Heavy industrial
- Construction
- High impulse

INTERCHANGEABILITY

- Voswinkel HS
- Argus K
- Dixon CVV

MATERIALS

- Steel

BODY SIZES

- 3/8" to 1 1/4"

TEMP. RATING

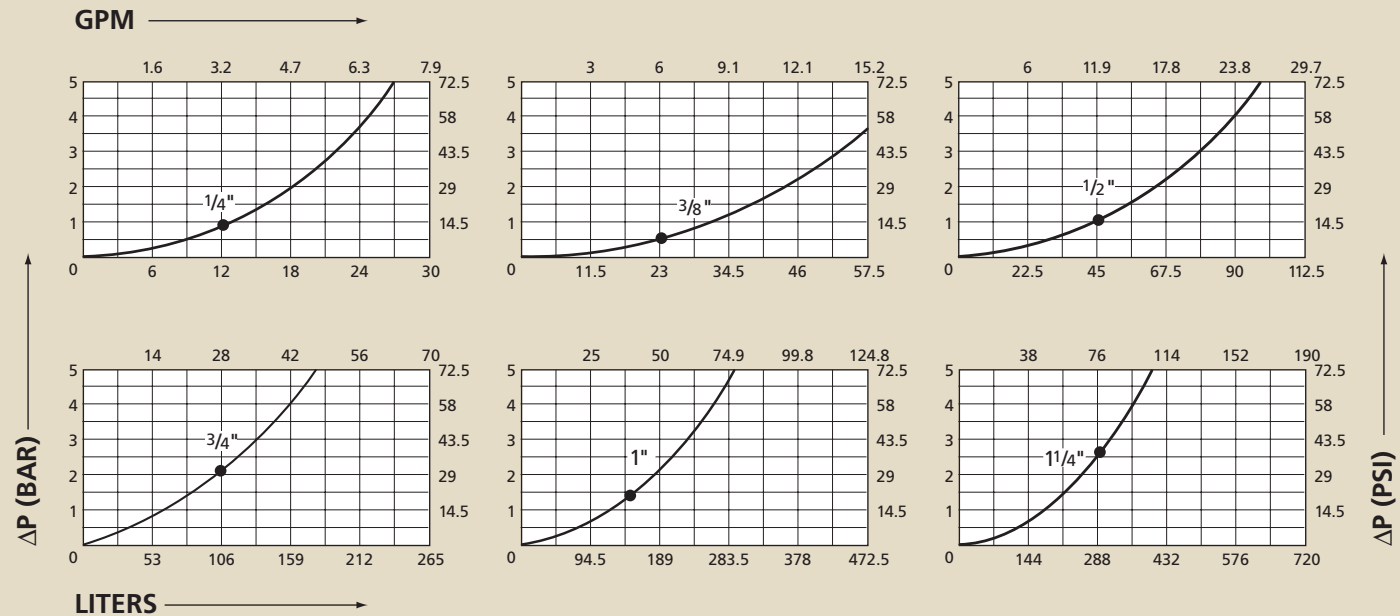
- -40°F to 240°F



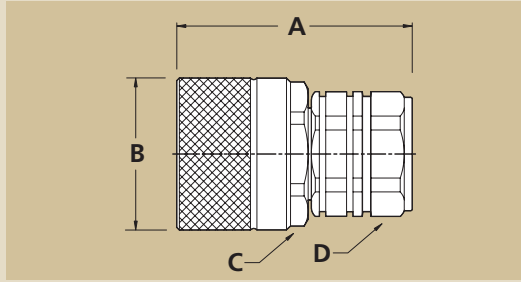
RATED PRESSURE – PSI

BODY SIZE	STEEL
3/8	5075
1/2	4700
3/4	3675
1	3675
1 1/4	3000

PERFORMANCE

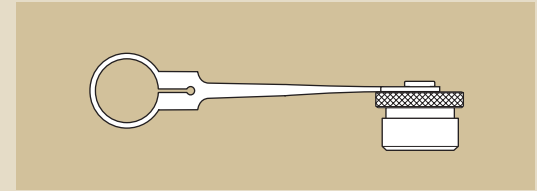


VVP Series – Heavy-Duty Service Coupling



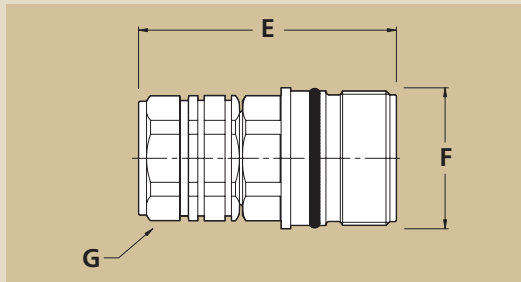
COUPLER

BODY SIZE	PART NUMBER	THREAD	DIMENSIONS (IN.)			
			A	B	C	D
3/8	VVP-38-14-F	1/4" NPTF	2.41	1.35	1.18	.86
3/8	VVP-38-38-F	3/8" NPTF	2.41	1.35	1.18	.86
3/8	VVP-38-SAE-F	9/16"-18 ORB	2.41	1.35	1.18	.86
1/2	VVP-12-38-F	3/8" NPTF	2.64	1.66	1.33	1.18
1/2	VVP-12-12-F	1/2" NPTF	2.64	1.66	1.33	1.18
3/4	VVP-34-12-F	1/2" NPTF	3.06	1.88	1.61	1.42
3/4	VVP-34-34-F	3/4" NPTF	3.06	1.88	1.61	1.42
1	VVP-1-34-F	3/4" NPTF	3.43	2.18	1.96	1.61
1	VVP-1-1-F	1" NPTF	3.43	2.18	1.96	1.61
1 1/4	VVP-114-114-F	1 1/4" NPTF	5.16	3.15	2.17	2.95
1 1/4	VVP-114-112-F	1 1/2" NPTF	5.24	3.15	2.17	2.95



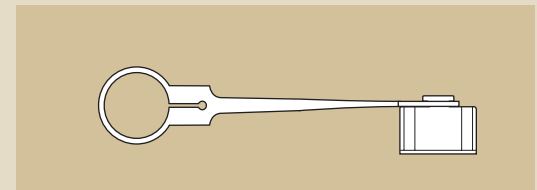
DUST PROTECTOR FOR COUPLER (RED)

SIZE	PART NUMBER
3/8	VVM-38-R
1/2	VVM-12-R
3/4	VVM-34-R
1	VVM-1-R
1 1/4	VVM-114-R



PLUG

BODY SIZE	PART NUMBER	THREAD	DIMENSIONS (IN.)		
			E	F	G
3/8	VVP-38-14-M	1/4" NPTF	2.52	1.07	.87
3/8	VVP-38-38-M	3/8" NPTF	2.52	1.07	.87
3/8	VVP-38-SAE-M	9/16"-18 ORB	2.52	1.07	.87
1/2	VVP-12-38-M	3/8" NPTF	2.76	1.40	1.18
1/2	VVP-12-12-M	1/2" NPTF	2.76	1.40	1.18
3/4	VVP-34-12-M	1/2" NPTF	3.31	1.64	1.42
3/4	VVP-34-34-M	3/4" NPTF	3.31	1.64	1.42
1	VVP-1-34-M	3/4" NPTF	3.94	1.90	1.61
1	VVP-1-1-M	1" NPTF	3.94	1.90	1.61
1 1/4	VVP-114-114-M	1 1/4" NPTF	14.96	3.14	2.95
1 1/4	VVP-114-112-M	1 1/2" NPTF	5.24	3.14	2.95



DUST PROTECTOR FOR PLUG (RED)

SIZE	PART NUMBER
3/8	VVF-38-R
1/2	VVF-12-R
3/4	VVF-34-R
1	VVF-1-R
1 1/4	VVF-114-R

FEATURES

- High concentration of locking balls
- Heavy knurled sleeve
- Stainless steel spring, balls and retaining ring
- Buna-N O rings and teflon backup rings

APPLICATIONS

- General industry
- Construction
- Fluid transfer
- Transportation
- Chemical
- Oil and gas

INTERCHANGEABILITY

- Snap-Tite
- Dixon
- Faster

MATERIALS

- Steel
- Brass
- 316 Stainless steel

SIZES

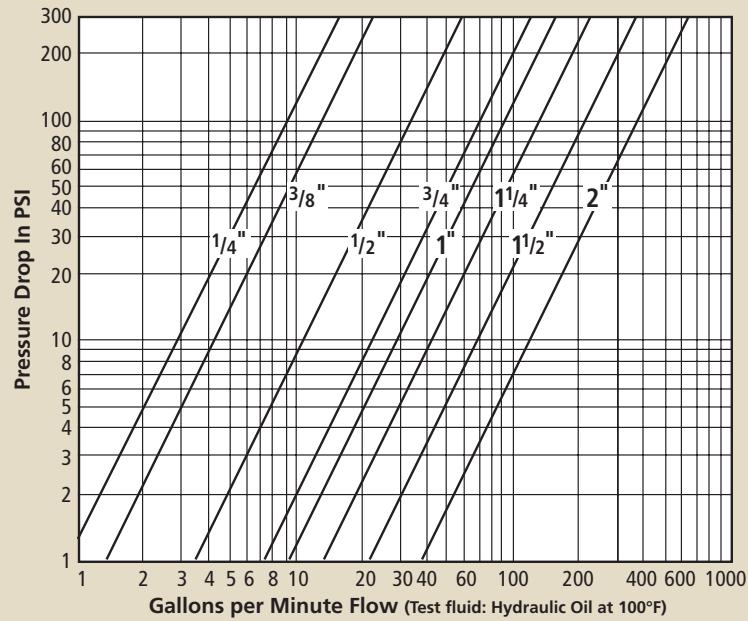
- 1/4" - 2"

TEMP. RATING

- -20°F to 215°F



PERFORMANCE:



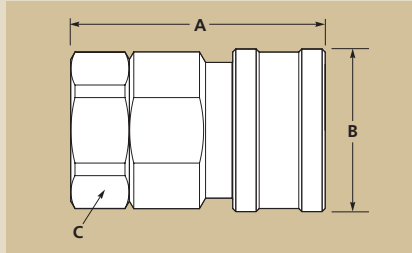
RATED PRESSURE (PSI) VALVED

SIZE	STEEL	BRASS	316 STAINLESS
1/4	6500	2250	5000
3/8	4500	2250	4000
1/2	4000	2000	3750
3/4	3500	2000	2000
1	2000	2000	2000
1 1/4	1750	350	1500
1 1/2	1500	350	1500
2	1500	350	500

RATED PRESSURE (PSI) NON-VALVED

SIZE	STEEL	BRASS	316 STAINLESS
1/4	11,000	4000	10,000
3/8	11,000	4000	8000
1/2	11,000	4000	8000
3/4	9000	3500	7000
1	6000	3000	4000
1 1/4	5000	1000	3000
1 1/2	5000	1000	3000
2	4000	750	1000

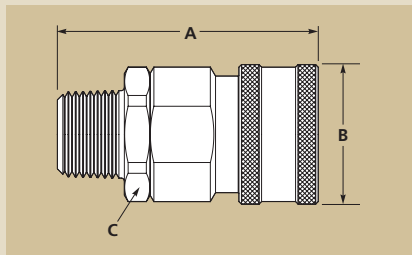
TNV Series



COUPLER – FEMALE THREADS

COUPLER

BODY SIZE	PART NUMBER			THREAD SIZE	DIMENSIONS (IN.)		
	STEEL	BRASS	316 STAINLESS		A	B	C
1/4	TNV-04-F	TNV-04-F-5	TNV-04-F-3	1/4" NPT	1.68	.99	.88
3/8	TNV-06-F	TNV-06-F-5	TNV-06-F-3	3/8" NPT	1.94	1.18	1.00
1/2	TNV-08-F	TNV-08-F-5	TNV-08-F-3	1/2" NPT	2.13	1.36	1.19
3/4	TNV-12-F	TNV-12-F-5	TNV-12-F-3	3/4" NPT	2.47	1.67	1.50
1	TNV-16-F	TNV-16-F-5	TNV-16-F-3	1" NPT	2.70	2.06	1.88
1 1/4	TNV-20-F	TNV-20-F-5	TNV-20-F-3	1 1/4" NPT	3.54	2.19	2.00
1 1/2	TNV-24-F	TNV-24-F-5	TNV-24-F-3	1 1/2" NPT	3.27	2.74	2.50
2	TNV-32-F	TNV-32-F-5	TNV-32-F-3	2" NPT	3.92	3.83	3.50



COUPLER – MALE THREADS

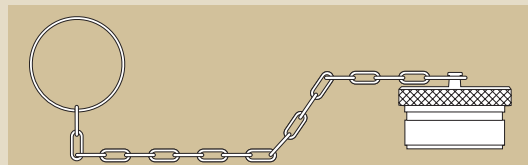
COUPLER

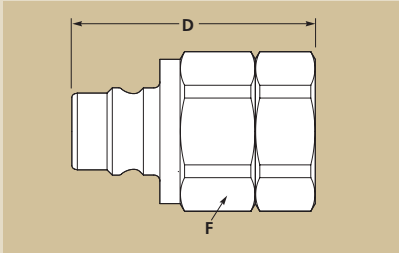
BODY SIZE	PART NUMBER		THREAD SIZE	DIMENSIONS (IN.)		
	STEEL			A	B	C
1/4	TNV-04-F-02		1/4" NPT	2.12	.99	.88
3/8	TNV-06-F-02		3/8" NPT	2.32	1.18	1.00
1/2	TNV-08-F-02		1/2" NPT	2.54	1.36	1.19
3/4	TNV-12-F-02		3/4" NPT	3.07	1.67	1.50
1	TNV-16-F-02		1" NPT	3.32	2.06	1.88
1 1/4	TNV-20-F-02		1 1/4" NPT	3.59	2.19	2.00
1 1/2	TNV-24-F-02		1 1/2" NPT	4.01	2.74	2.50
2	TNV-32-F-02		2" NPT	4.54	3.83	3.50

NOTE: Stainless and brass available with male NPT threads. Contact PCI for details.

DUST PROTECTOR FOR COUPLER (ALUMINUM)

BODY SIZE	PART NUMBER
1/4	TMT-04-A
3/8	TMT-06-A
1/2	TMT-08-A
3/4	TMT-12-A
1	TMT-16-A
1 1/4	TMT-20-A
1 1/2	TMT-24-A
2	TMT-32-A

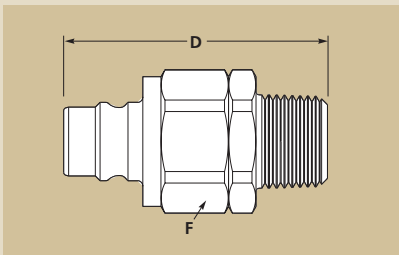




PLUG – FEMALE THREADS

PLUG

BODY SIZE	PART NUMBER			THREAD SIZE	DIMENSIONS (IN.)	
	STEEL	BRASS	316 STAINLESS		D	F
1/4	TNV-04-M	TNV-04-M-5	TNV-04-M-3	1/4" NPT	1.62	.88
3/8	TNV-06-M	TNV-06-M-5	TNV-06-M-3	3/8" NPT	1.87	1.00
1/2	TNV-08-M	TNV-08-M-5	TNV-08-M-3	1/2" NPT	1.99	1.19
3/4	TNV-12-M	TNV-12-M-5	TNV-12-M-3	3/4" NPT	2.31	1.50
1	TNV-16-M	TNV-16-M-5	TNV-16-M-3	1" NPT	2.60	1.88
1 1/4	TNV-20-M	TNV-20-M-5	TNV-20-M-3	1 1/4" NPT	3.41	2.00
1 1/2	TNV-24-M	TNV-24-M-5	TNV-24-M-3	1 1/2" NPT	3.41	2.50
2	TNV-32-M	TNV-32-M-5	TNV-32-M-3	2" NPT	3.72	3.50



PLUG – MALE THREADS

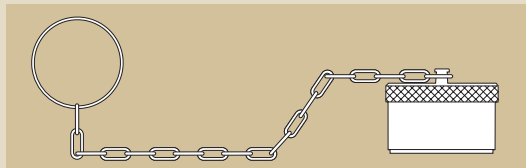
PLUG

BODY SIZE	PART NUMBER		THREAD SIZE	DIMENSIONS (IN.)	
	STEEL	316 STAINLESS		D	F
1/4	TNV-04-M-02	TNV-04-M-03	1/4" NPT	2.05	.88
3/8	TNV-06-M-02	TNV-06-M-03	3/8" NPT	2.25	1.00
1/2	TNV-08-M-02	TNV-08-M-03	1/2" NPT	2.40	1.19
3/4	TNV-12-M-02	TNV-12-M-03	3/4" NPT	2.91	1.50
1	TNV-16-M-02	TNV-16-M-03	1" NPT	3.22	1.88
1 1/4	TNV-20-M-02	TNV-20-M-03	1 1/4" NPT	3.46	2.00
1 1/2	TNV-24-M-02	TNV-24-M-03	1 1/2" NPT	3.85	2.50
2	TNV-32-M-02	TNV-32-M-03	2" NPT	4.34	3.50

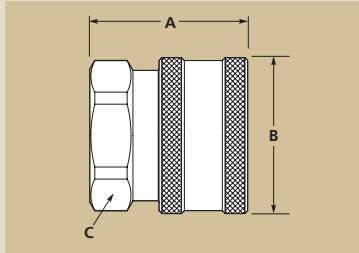
NOTE: Stainless and brass available with male NPT threads. Contact PCI for details.

DUST PROTECTOR FOR PLUG (ALUMINUM)

BODY SIZE	PART NUMBER
1/4	TFT-04-A
3/8	TFT-06-A
1/2	TFT-08-A
3/4	TFT-12-A
1	TFT-16-A
1 1/4	TFT-20-A
1 1/2	TFT-24-A
2	TFT-32-A



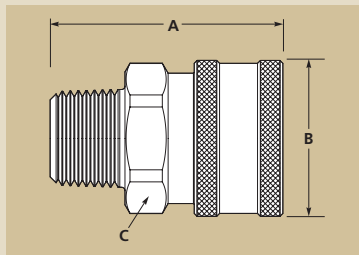
TNL Series – Non-Valved



COUPLER – FEMALE THREADS

COUPLER

BODY SIZE	PART NUMBER			THREAD SIZE	DIMENSIONS (IN.)		
	STEEL	BRASS	316 STAINLESS		A	B	C
1/4	TNL-04-F	TNL-04-F-5	TNL-04-F-3	1/4" NPT	1.36	.99	.88
3/8	TNL-06-F	TNL-06-F-5	TNL-06-F-3	3/8" NPT	1.50	1.18	.88
1/2	TNL-08-F	TNL-08-F-5	TNL-08-F-3	1/2" NPT	1.64	1.37	1.19
3/4	TNL-12-F	TNL-12-F-5	TNL-12-F-3	3/4" NPT	1.96	1.67	1.50
1	TNL-16-F	TNL-16-F-5	TNL-16-F-3	1" NPT	2.10	1.99	1.81
1 1/4	TNL-20-F	TNL-20-F-5	TNL-20-F-3	1 1/4" NPT	2.28	2.19	2.00
1 1/2	TNL-24-F	TNL-24-F-5	TNL-24-F-3	1 1/2" NPT	2.57	2.74	2.50
2	TNL-32-F	TNL-32-F-5	TNL-32-F-3	2" NPT	2.48	3.56	3.25



COUPLER – MALE THREADS

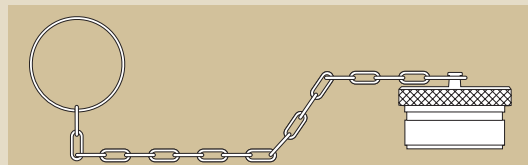
COUPLER

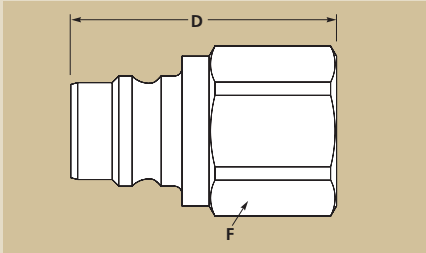
BODY SIZE	PART NUMBER		THREAD SIZE	DIMENSIONS (IN.)		
	STEEL			A	B	C
1/4	TNL-04-F-02		1/4" NPT	1.82	.99	.88
3/8	TNL-06-F-02		3/8" NPT	1.76	1.18	.88
1/2	TNL-08-F-02		1/2" NPT	2.03	1.37	1.19
3/4	TNL-12-F-02		3/4" NPT	2.29	1.67	1.50
1	TNL-16-F-02		1" NPT	2.39	1.99	1.81
1 1/4	TNL-20-F-02		1 1/4" NPT	2.78	2.19	2.00
1 1/2	TNL-24-F-02		1 1/2" NPT	3.08	2.74	2.50
2	TNL-32-F-02		2" NPT	3.10	3.56	3.25

NOTE: Stainless and brass available with male NPT threads. Contact PCI for details.

DUST PROTECTOR FOR COUPLER (ALUMINUM)

BODY SIZE	PART NUMBER
1/4	TMT-04-A
3/8	TMT-06-A
1/2	TMT-08-A
3/4	TMT-12-A
1	TMT-16-A
1 1/4	TMT-20-A
1 1/2	TMT-24-A
2	TMT-32-A

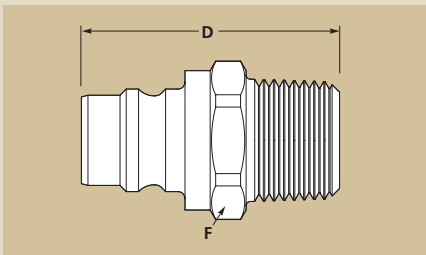




PLUG – FEMALE THREADS

PLUG

BODY SIZE	PART NUMBER			THREAD SIZE	DIMENSIONS (IN.)	
	STEEL	BRASS	316 STAINLESS		D	F
1/4	TNL-04-M	TNL-04-M-5	TNL-04-M-3	1/4" NPT	1.27	.63
3/8	TNL-06-M	TNL-06-M-5	TNL-06-M-3	3/8" NPT	1.41	.81
1/2	TNL-08-M	TNL-08-M-5	TNL-08-M-3	1/2" NPT	1.72	1.00
3/4	TNL-12-M	TNL-12-M-5	TNL-12-M-3	3/4" NPT	1.86	1.19
1	TNL-16-M	TNL-16-M-5	TNL-16-M-3	1" NPT	2.08	1.50
1 1/4	TNL-20-M	TNL-20-M-5	TNL-20-M-3	1 1/4" NPT	2.22	1.88
1 1/2	TNL-24-M	TNL-24-M-5	TNL-24-M-3	1 1/2" NPT	2.44	2.13
2	TNL-32-M	TNL-32-M-5	TNL-32-M-3	2" NPT	2.60	2.75



PLUG – MALE THREADS

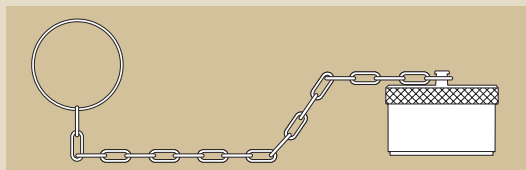
PLUG

BODY SIZE	PART NUMBER		THREAD SIZE	DIMENSIONS (IN.)	
	STEEL	316 STAINLESS		D	F
1/4	TNL-04-M-02	TNL-04-M-03	1/4" NPT	1.52	.63
3/8	TNL-06-M-02	TNL-06-M-03	3/8" NPT	1.72	.81
1/2	TNL-08-M-02	TNL-08-M-03	1/2" NPT	1.80	1.00
3/4	TNL-12-M-02	TNL-12-M-03	3/4" NPT	2.19	1.19
1	TNL-16-M-02	TNL-16-M-03	1" NPT	2.31	1.50
1 1/4	TNL-20-M-02	TNL-20-M-03	1 1/4" NPT	2.14	1.88
1 1/2	TNL-24-M-02	TNL-24-M-03	1 1/2" NPT	2.34	2.13
2	TNL-32-M-02	TNL-32-M-03	2" NPT	2.74	2.50

NOTE: Stainless and brass available with male NPT threads. Contact PCI for details.

DUST PROTECTOR FOR PLUG (ALUMINUM)

BODY SIZE	PART NUMBER
1/4	TFT-04-A
3/8	TFT-06-A
1/2	TFT-08-A
3/4	TFT-12-A
1	TFT-16-A
1 1/4	TFT-20-A
1 1/2	TFT-24-A
2	TFT-32-A



I Series – Industrial Interchange/Manual

FEATURES

- Ball lock
- Manual operation
- Rugged, reliable construction
- A-A 59439 (former MIL-C-4109)
- Optional sleeve lock

APPLICATIONS

- General pneumatics
- Construction
- Industrial plants
- Fluid transfer
- Gas

INTERCHANGEABILITY

- Parker
- Dixon
- Tomco
- Foster
- Aeroquip

MATERIALS – COUPLER

- Brass body
- Nickel plated steel sleeve
- Steel valve
- Stainless springs
- Buna-N-Seals

MATERIALS – PLUG

- Zinc-plated steel, case-hardened
- Brass
- Stainless (1/4" only)



QUICK COUPLINGS

SIZES

- 1/4" to 1/2"

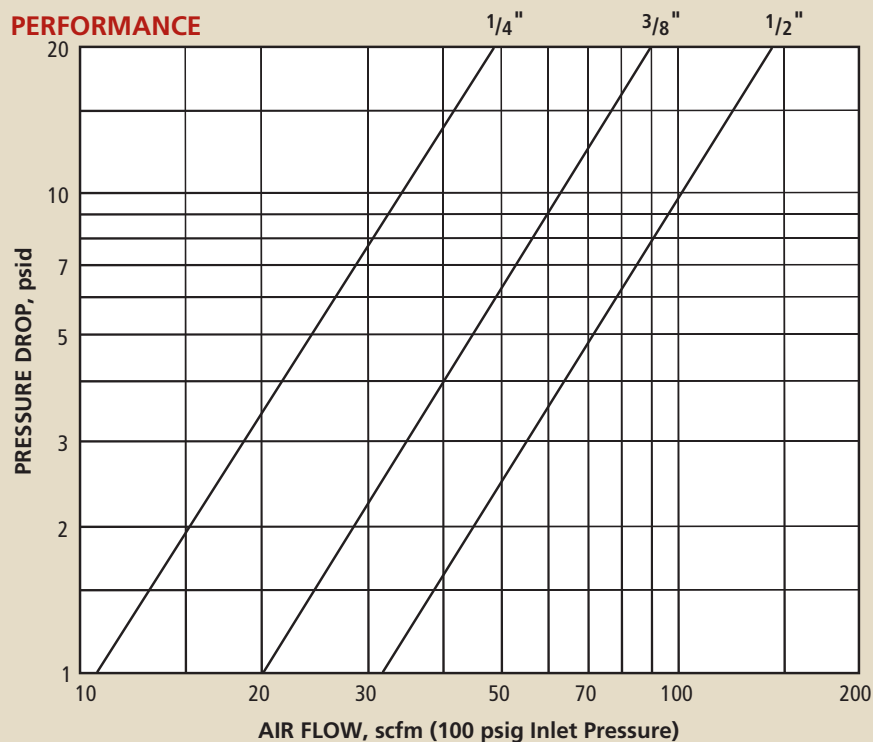
TEMP. RATING

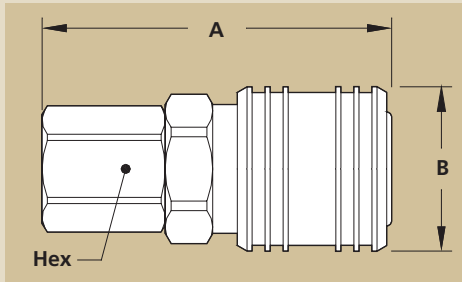
- -40°F to 250°F

RATED PRESSURE

- 1/4" – 2000 PSI
- 3/8" – 1000 PSI
- 1/2" – 500 PSI

PERFORMANCE



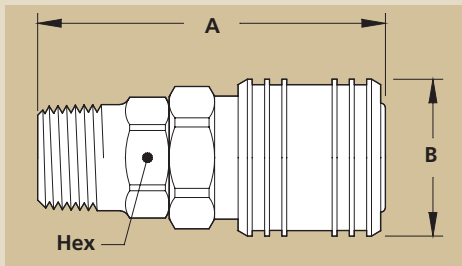


**FEMALE END CONNECTIONS
MANUAL SLEEVE**

COUPLER

BODY SIZE	PART NUMBER		THREAD	DIMENSIONS (IN.)		
	BRASS	STAINLESS STEEL		A	B	HEX
1/4	I-2803-M		1/8" NPT	1.86	1.00	.69
1/4	I-3003-M		1/4" NPT	2.08	1.00	.69
1/4		C-3003-M-SS	1/4" NPT	2.08	1.00	.69
1/4	I-3203-M		3/8" NPT	2.16	1.00	.69
3/8	I-4004-M		1/4" NPT	2.10	1.13	.88
3/8	I-4204-M		3/8" NPT	2.35	1.13	.88
3/8	I-4404-M		1/2" NPT	2.62	1.13	1.00
1/2	I-4015-M		1/4" NPT	2.72	1.19	1.00
1/2	I-5005-M		3/8" NPT	2.78	1.19	1.00
1/2	I-5205-M		1/2" NPT	3.06	1.19	1.00
1/2	I-5405-M		3/4" NPT	3.09	1.19	1.19

NOTE: Hose barb ends available – contact PCI for details.



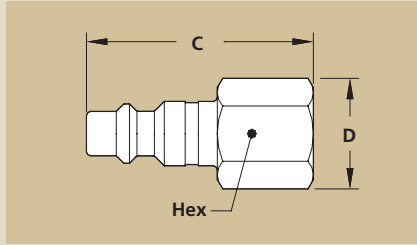
**MALE END CONNECTIONS
MANUAL SLEEVE**

COUPLER

BODY SIZE	PART NUMBER		THREAD	DIMENSIONS (IN.)		
	BRASS	STAINLESS STEEL		A	B	HEX
1/4	I-2903-M		1/8" NPT	1.97	1.00	.69
1/4	I-3103-M		1/4" NPT	2.16	1.00	.69
1/4		C-3103-M-SS	1/4" NPT	2.16	1.00	.69
1/4	I-3303-M		3/8" NPT	2.12	1.00	.69
3/8	I-4104-M		1/4" NPT	2.35	1.13	.88
3/8	I-4304-M		3/8" NPT	2.35	1.13	.88
3/8	I-4504-M		1/2" NPT	2.54	1.13	.88
1/2	I-4905-M		1/4" NPT	2.77	1.19	1.00
1/2	I-5105-M		3/8" NPT	2.78	1.19	1.00
1/2	I-5305-M		1/2" NPT	2.97	1.19	1.00
1/2	I-5505-M		3/4" NPT	2.97	1.19	1.06

NOTE: Hose barb ends available – contact PCI for details.

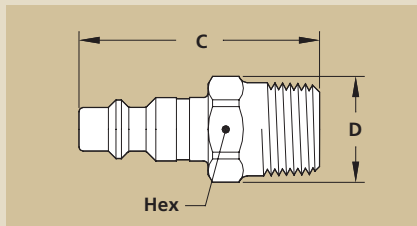
I Series – Industrial Interchange



FEMALE END CONNECTIONS

PLUG

BODY SIZE	PART NUMBER			DIMENSIONS (IN.)		
	STEEL	STAINLESS STEEL	THREAD	C	D	HEX
1/4	I-13-3		1/8" NPT	1.47	.65	.56
1/4	I-11-3		1/4" NPT	1.63	.79	.69
1/4		C-11-3-SS	1/4" NPT	1.63	.78	.69
1/4	I-15-3		3/8" NPT	1.69	.94	.81
3/8	I-41-4		1/4" NPT	1.63	.79	.69
3/8	I-43-4		3/8" NPT	1.81	.94	.81
3/8	I-45-4		1/2" NPT	2.06	1.15	1.00
1/2	I-53A		1/4" NPT	1.92	.79	.69
1/2	I-53-5		3/8" NPT	2.06	.94	.81
1/2	I-55-5		1/2" NPT	2.34	1.15	1.00
1/2	I-57-5		3/4" NPT	2.44	1.37	1.19
3/4	I-65-6		1/2" NPT	2.22	1.15	1.00
3/4	I-67-6		3/4" NPT	2.22	1.37	1.19
3/4	I-69-6		1" NPT	2.41	1.80	1.56



MALE END CONNECTIONS

PLUG

BODY SIZE	PART NUMBER			DIMENSIONS (IN.)		
	STEEL	STAINLESS STEEL	THREAD	C	D	HEX
1/4	I-12-3		1/8" NPT	1.59	.58	.50
1/4	I-10-3		1/4" NPT	1.75	.65	.56
1/4		C-10-3-SS	1/4" NPT	1.75	.65	.56
1/4	I-14-3		3/8" NPT	1.75	.79	.69
3/8	I-40-4		1/4" NPT	1.88	.72	.63
3/8	I-42-4		3/8" NPT	1.88	.79	.69
3/8	I-44-4		1/2" NPT	2.09	1.01	.88
1/2	I-50-5		1/4" NPT	2.25	.79	.69
1/2	I-52-5		3/8" NPT	2.25	.87	.75
1/2	I-54-5		1/2" NPT	2.44	1.01	.88
1/2	I-56-5		3/4" NPT	2.50	1.23	1.00
3/4	I-64-6		1/2" NPT	2.31	1.15	1.00
3/4	I-66-6		3/4" NPT	2.38	1.23	1.00
3/4	I-68-6		1" NPT	2.56	1.52	1.31



I Series – Industrial Interchange/Automatic Sleeve

QUICK COUPLINGS

FEATURES

- Easy, automatic push to connect
- Rugged, reliable construction
- A-A 59439 (former MIL-C-4109)
- Optional sleeve lock

APPLICATIONS

- Industrial breathing air
- General pneumatics
- Maintenance and repair
- Fluid transfer

INTERCHANGEABILITY

- Parker
- Dixon
- Tomco
- Foster

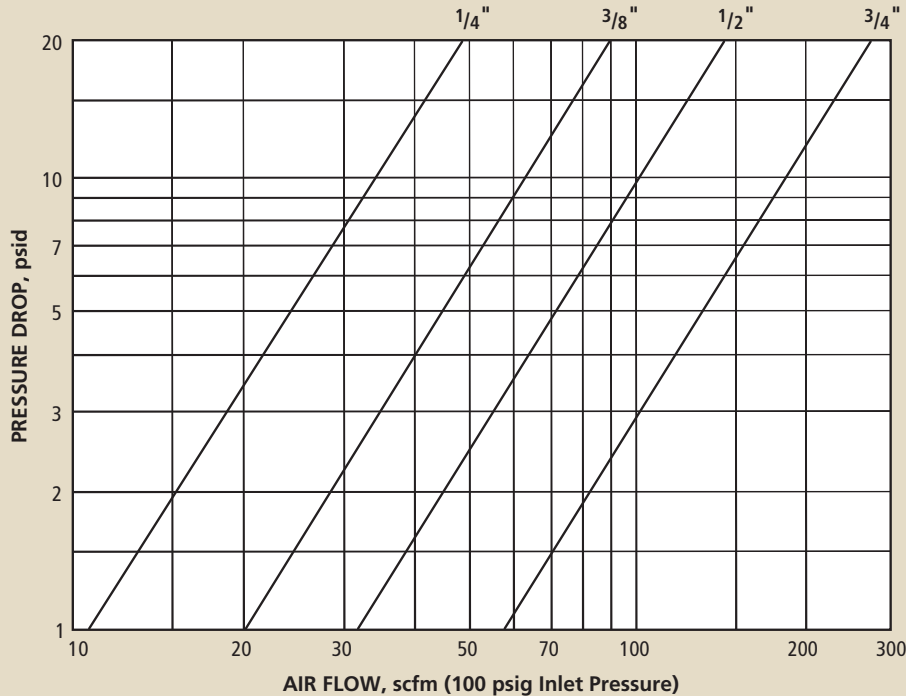
MATERIALS – COUPLER

- Brass body and sleeve
- Steel valve
- Buna-N-Seals
- Stainless springs
- Stainless locking pins

MATERIALS – PLUG

- Zinc-plated steel, case-hardened
- Brass
- Stainless (1/4" only)

PERFORMANCE



SIZES

- 1/4" to 3/4"

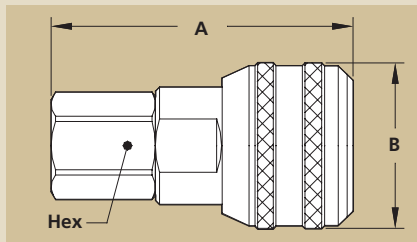
TEMP. RATING

- -40°F to 250°F

RATED PRESSURE

- 1/4" – 2000 PSI
- 3/8" – 1000 PSI
- 1/2" – 500 PSI
- 3/4" – 220 PSI

I Series – Industrial Interchange/Automatic Sleeve



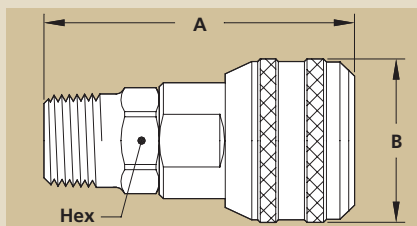
**FEMALE END CONNECTIONS
PUSH TO CONNECT SLEEVE**

COUPLER

BODY SIZE	PART NUMBER (BRASS)	THREAD	DIMENSIONS (IN.)		
			A	B	HEX
1/4	I-2803-A	1/8" NPTF	1.89	1.19	.69
1/4	I-3003-A	1/4" NPTF	2.11	1.19	.69
1/4	I-3203-A	3/8" NPTF	2.19	1.19	.75
3/8	I-4004-A	1/4" NPTF	2.10	1.38	.88
3/8	I-4204-A	3/8" NPTF	2.35	1.38	.88
3/8	I-4404-A	1/2" NPTF	2.62	1.38	1.00
1/2	I-4015-A	1/4" NPTF	2.72	1.50	1.00
1/2	I-5005-A	3/8" NPTF	2.79	1.50	1.00
1/2	I-5205-A	1/2" NPTF	3.07	1.50	1.00
1/2	I-5405-A	3/4" NPTF	3.10	1.50	1.19
3/4	I-6206-A	1/2" NPTF	2.85	1.88	1.31
3/4	I-6406-A	3/4" NPTF	3.00	1.88	1.31
3/4	I-6606-A	1" NPTF	3.19	1.88	1.56

Plugs can be found on page 29.

NOTE: Hose barb ends available – contact PCI for details.



**MALE END CONNECTIONS
PUSH TO CONNECT SLEEVE**

COUPLER

BODY SIZE	PART NUMBER (BRASS)	THREAD	DIMENSIONS (IN.)		
			A	B	HEX
1/4	I-2903-A	1/8" NPTF	2.00	1.19	.69
1/4	I-3103-A	1/4" NPTF	2.19	1.19	.69
1/4	I-3303-A	3/8" NPTF	2.15	1.19	.69
3/8	I-4104-A	1/4" NPTF	2.35	1.38	.88
3/8	I-4304-A	3/8" NPTF	2.35	1.38	.88
3/8	I-4504-A	1/2" NPTF	2.54	1.38	.88
1/2	I-4905-A	1/4" NPTF	2.78	1.50	1.00
1/2	I-5105-A	3/8" NPTF	2.78	1.50	1.00
1/2	I-5305-A	1/2" NPTF	2.98	1.50	1.00
1/2	I-5505-A	3/4" NPTF	2.98	1.50	1.00
3/4	I-6306-A	1/2" NPTF	2.94	1.88	1.31
3/4	I-6506-A	3/4" NPTF	2.94	1.88	1.31
3/4	I-6706-A	1" NPTF	3.13	1.88	1.31

Plugs can be found on page 29.

NOTE: Hose barb ends available – contact PCI for details.



A Series – Aro Interchange/Automatic Sleeve

QUICK COUPLINGS

FEATURES

- Automatic push to connect
- Pin lock design

APPLICATIONS

- Construction
- Maintenance and repair
- In plant/industrial
- Pneumatic tools

PERFORMANCE

INTERCHANGEABILITY

- ARO 210/310

MATERIALS – COUPLER

- Carbon steel
- Hard drawn steel spring
- Buna-N valve washer
- Alloy steel locking pins

MATERIALS – PLUG

- Carbon steel

SIZES

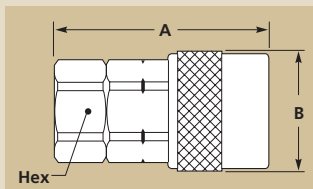
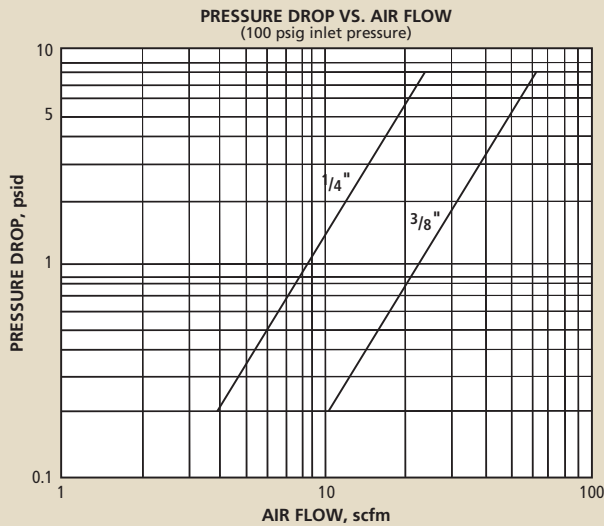
- 1/4" to 3/8"

TEMP. RATING

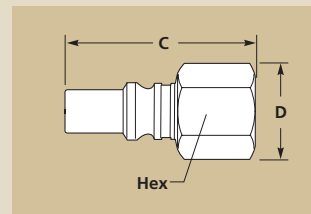
- -40°F to 200°F

RATED PRESSURE

- 250 PSI



FEMALE END CONNECTIONS
PUSH TO CONNECT SLEEVE

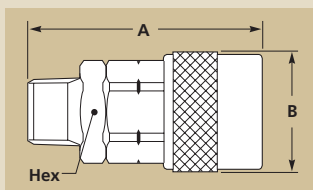


FEMALE END CONNECTIONS

COUPLER

DIMENSIONS (IN.)

BODY SIZE	PART # (STEEL)	THREAD	A	B	HEX
1/4	A210-3003	1/4" NPT	1.87	1.02	.69
3/8	A310-4204	3/8" NPT	2.38	1.21	.94

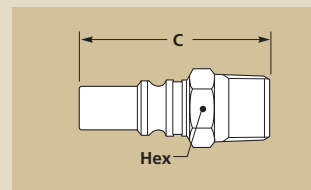


MALE END CONNECTIONS
PUSH TO CONNECT SLEEVE

PLUG

DIMENSIONS (IN.)

BODY SIZE	PART # (STEEL)	THREAD	C	D	HEX
1/4	A210-11	1/4" NPT	1.55	.79	.69
3/8	A310-43	3/8" NPT	1.84	.94	.81



MALE END CONNECTIONS

COUPLER

DIMENSIONS (IN.)

BODY SIZE	PART # (STEEL)	THREAD	A	B	HEX
1/4	A210-3103	1/4" NPT	1.95	1.02	.69
1/4	A210-3303	3/8" NPT	1.91	1.02	.69
3/8	A310-4303	3/8" NPT	2.38	1.21	.94

PLUG

DIMENSIONS (IN.)

BODY SIZE	PART # (STEEL)	THREAD	C	HEX
1/4	A210-10	1/4" NPT	1.68	.56
3/8	A310-42	3/8" NPT	1.91	.69

PT Series – TRUFLATE® Interchange

FEATURES

- Ball lock
- Manual operation
- Sleeve guard lip
- Optional sleeve lock

APPLICATIONS

- General pneumatics
- Construction
- Industrial
- Fluid transfer

INTERCHANGEABILITY

- Parker Truflate
- Tomco A2100

MATERIALS – COUPLER

- 1/4" Brass body with steel sleeve
- 3/8" - 1/2" steel body and sleeve
- Stainless springs
- Buna-N-Seals

MATERIALS – PLUG

- Steel

SIZES

- 1/4" to 1/2"

TEMP

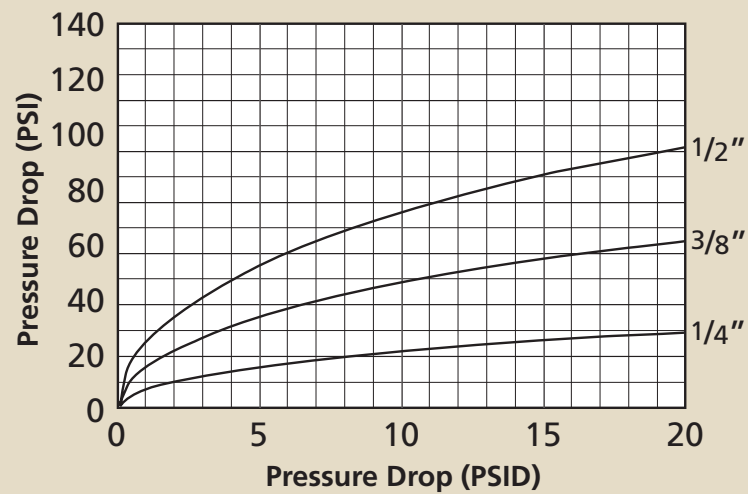
- -40°F to 250°F

RATED PRESSURE

- 500 PSI



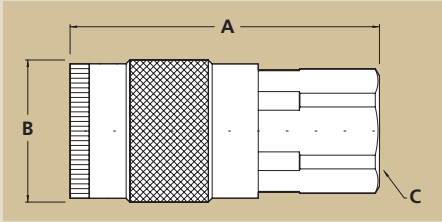
PERFORMANCE





PT Series – TRUFLATE® Interchange/Manual Sleeve

QUICK COUPLINGS

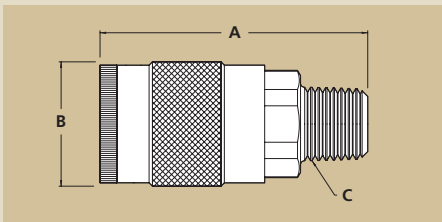


FEMALE END CONNECTIONS

COUPLER

BODY SIZE	PART NUMBER (BRASS)	THREAD	DIMENSIONS (IN.)		
			A	B	C
1/4	PT-2803-M	1/8" NPT	1.83	.88	.75
1/4	PT-3003-M	1/4" NPT	2.04	.88	.75
1/4	PT-3203-M	3/8" NPT	2.14	.88	.81

BODY SIZE	PART NUMBER (STEEL)	THREAD	DIMENSIONS (IN.)		
			A	B	C
3/8	PT-4004-M	1/4" NPT	2.25	1.06	.88
3/8	PT-4204-M	3/8" NPT	2.48	1.06	.88
3/8	PT-4404-M	1/2" NPT	2.61	1.06	1.00
1/2	PT-5005-M	3/8" NPT	2.90	1.19	1.00
1/2	PT-5205-M	1/2" NPT	3.04	1.19	1.00
1/2	PT-5405-M	3/4" NPT	3.09	1.19	1.19



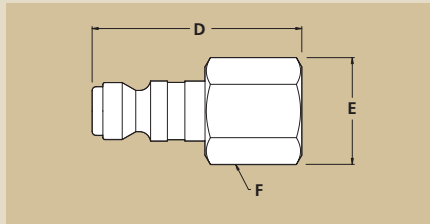
MALE END CONNECTIONS

COUPLER

BODY SIZE	PART NUMBER (BRASS)	THREAD	DIMENSIONS (IN.)		
			A	B	C
1/4	PT-2903-M	1/8" NPT	1.88	.88	.75
1/4	PT-3103-M	1/4" NPT	2.04	.88	.75
1/4	PT-3303-M	3/8" NPT	2.08	.88	.81

BODY SIZE	PART NUMBER (STEEL)	THREAD	DIMENSIONS (IN.)		
			A	B	C
3/8	PT-4104-M	1/4" NPT	2.45	1.06	.88
3/8	PT-4304-M	3/8" NPT	2.46	1.06	.88
3/8	PT-4504-M	1/2" NPT	2.55	1.06	.88
1/2	PT-5105-M	3/8" NPT	2.97	1.19	1.00
1/2	PT-5305-M	1/2" NPT	3.07	1.19	1.00
1/2	PT-5505-M	3/4" NPT	3.12	1.19	1.06

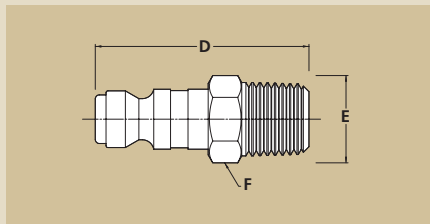
PT Series – TRUFLATE® Interchange



FEMALE END CONNECTIONS

PLUG

BODY SIZE	PART NUMBER (STEEL)	THREAD	DIMENSIONS (IN.)		
			D	E	F
1/4	PT-13	1/8" NPTF	1.34	.65	.56
1/4	PT-11	1/4" NPTF	1.56	.79	.69
1/4	PT-15	3/8" NPTF	1.56	1.01	.88
3/8	PT-41	1/4" NPTF	1.75	.79	.69
3/8	PT-43	3/8" NPTF	1.75	1.00	.88
3/8	PT-45	1/2" NPTF	1.91	1.16	1.00
1/2	PT-53-5	3/8" NPTF	2.11	1.01	.88
1/2	PT-55-5	1/2" NPTF	2.26	1.16	1.00
1/2	PT-57-5	3/4" NPTF	2.31	1.37	1.19



MALE END CONNECTIONS

PLUG

BODY SIZE	PART NUMBER (STEEL)	THREAD	DIMENSIONS (IN.)		
			D	E	F
1/4	PT-12	1/8" NPTF	1.47	.58	.50
1/4	PT-10	1/4" NPTF	1.59	.65	.56
1/4	PT-14	3/8" NPTF	1.65	.79	.69
3/8	PT-40	1/4" NPTF	1.75	.79	.69
3/8	PT-42	3/8" NPTF	1.84	.79	.69
3/8	PT-44	1/2" NPTF	2.00	1.01	.88
1/2	PT-52-5	3/8" NPTF	2.20	.79	.69
1/2	PT-54-5	1/2" NPTF	2.35	1.01	.88
1/2	PT-56-5	3/4" NPTF	2.51	1.23	1.06

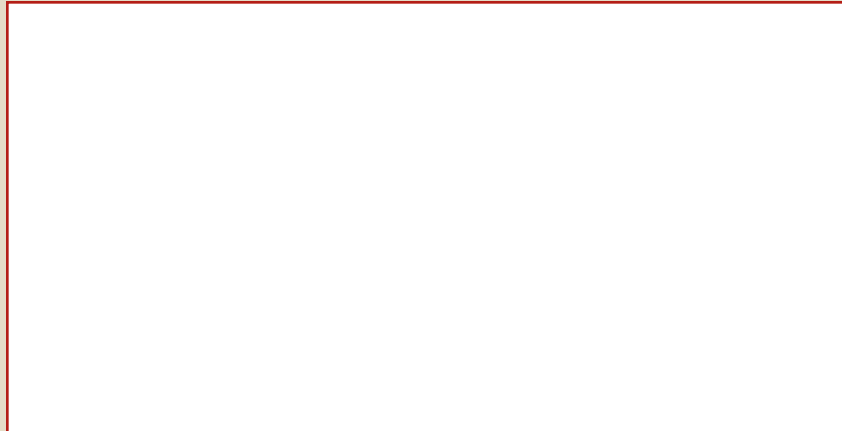


Quick Disconnect Blow Gun Kits

QUICK COUPLINGS

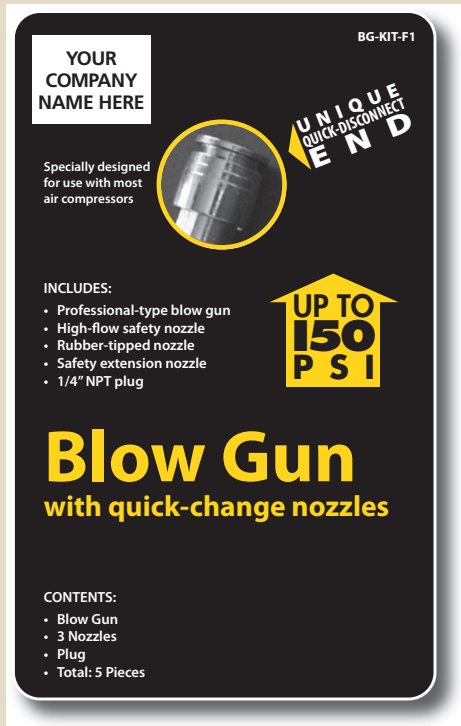
FEATURES

- Patented quick disconnect coupler allows users to switch nozzles quickly and easily
- KIT F1 INCLUDES
 - High quality blow gun
 - High flow safety nozzle
 - 6" extension safety nozzle
 - Quick connect plug for connecting blow gun to shop air supply
- KIT F2 INCLUDES
 - High quality blow gun
 - High flow safety nozzle
 - 6" extension safety nozzle
 - Rubber tip nozzle
 - Needle tip nozzle
 - Air screen safety nozzle



BG-KIT-F1 is shipped in a clear clamshell package

BG-KIT-F2 is shipped in a clear vinyl compartmented snap pouch



KIT F1

Private labeling of both kits is available.
Contact PCI for details.



KIT F2

For a minimum order of 50 pieces and a high-quality copy of your artwork, we can private-label these blow gun kits for you.

ST Series – Non-Valved Couplings

FEATURES

- Ball lock
- Manual operation
- Smooth bore permits free flow of liquid or gas

APPLICATIONS

- General industry
- Fluid transfer
- Chemical
- Food and beverage
- Injection molding
- Marine
- Pressure wash

INTERCHANGEABILITY

- Parker
- Dixon
- Tomco
- Foster

MATERIALS - COUPLER

- Brass
- Stainless steel

MATERIALS - PLUG

- Brass
- Steel
- Stainless steel

SIZES

- 1/8" to 2"

TEMP. RATING

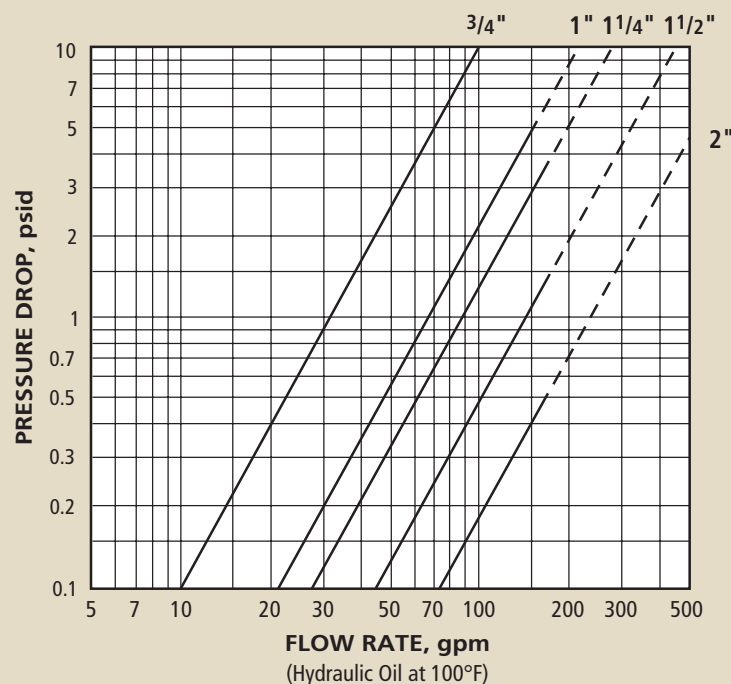
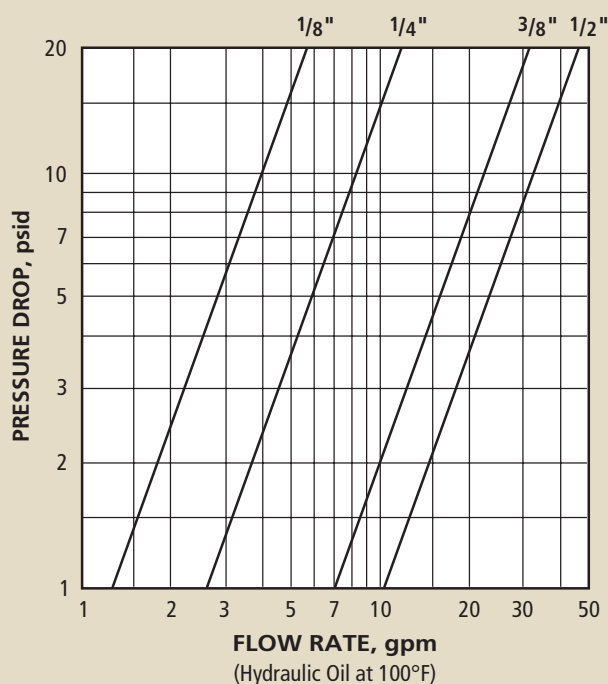
- -40°F to 250°F

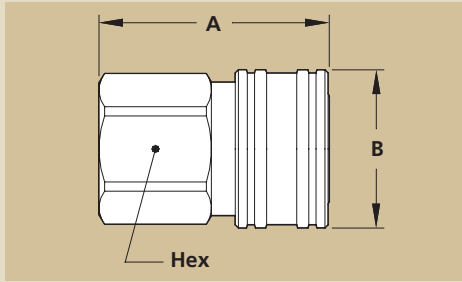


RATED PRESSURE IN PSI

BODY SIZE	BRASS COUPLER BRASS PLUG	STAINLESS COUPLER STAINLESS PLUG	BRASS COUPLER STEEL PLUG
1/8	2800	4200	3400
1/4	5200	7500	5500
3/8	2800	6300	4200
1/2	2200	3600	3500
3/4	1700	3000	2100
1	1300	2000	2000
1 1/4	1700	2200	2700
1 1/2	1400	2500	2200
2	1400	1500	2200

PERFORMANCE

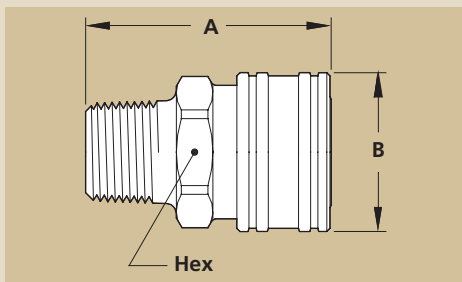




FEMALE THREADS

COUPLER

BODY SIZE	PART NUMBER		THREAD	DIMENSIONS (IN.)		
	BRASS	STAINLESS STEEL		A	B	HEX
1/8	B18FC	SS18FC	1/8" NPT	1.06	.72	.56
1/4	B14FC	SS14FC	1/4" NPT	1.50	.97	.81
3/8	B38FC	SS38FC	3/8" NPT	1.59	1.16	1.00
1/2	B12FC	SS12FC	1/2" NPT	1.91	1.34	1.13
3/4	B34FC	SS34FC	3/4" NPT	2.06	1.72	1.44
1	B1FC	SS1FC	1" NPT	2.33	2.03	1.75
1 1/4	B114FC		1 1/4" NPT	2.44	2.50	2.00
1 1/2	B112FC		1 1/2" NPT	2.88	3.13	2.63
2	B2FC		2" NPT	3.09	3.75	3.00

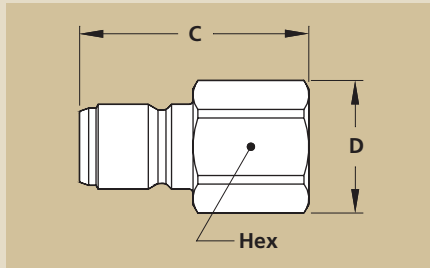


MALE THREADS

COUPLER

BODY SIZE	PART NUMBER		THREAD	DIMENSIONS (IN.)		
	BRASS	STAINLESS STEEL		A	B	HEX
1/8	B18MC	SS18MC	1/8" NPT	1.06	.72	.56
1/4	B14MC	SS14MC	1/4" NPT	1.72	.97	.81
3/8	B38MC	SS38MC	3/8" NPT	1.75	1.16	1.00
1/2	B12MC	SS12MC	1/2" NPT	2.03	1.34	1.13
3/4	B34MC	SS34MC	3/4" NPT	2.22	1.72	1.44
1	B1MC	SS1MC	1" NPT	2.53	2.03	1.75

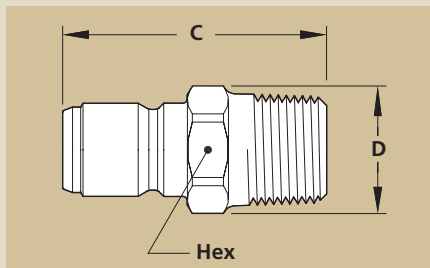
ST Series – Non-Valved



FEMALE THREADS

PLUG

BODY SIZE	PART NUMBER			THREAD	DIMENSIONS (IN.)		
	BRASS	STEEL	STAINLESS		C	D	HEX
1/8	B18FP	18FP	SS18FP	1/8" NPT	.97	.58	.50
1/4	B14FP	14FP	SS14FP	1/4" NPT	1.45	.79	.69
3/8	B38FP	38FP	SS38FP	3/8" NPT	1.63	.94	.81
1/2	B12FP	12FP	SS12FP	1/2" NPT	1.92	1.15	1.00
3/4	B34FP	34FP	SS34FP	3/4" NPT	2.01	1.37	1.19
1	B1FP	1FP	SS1FP	1" NPT	2.21	1.80	1.56
1 1/4	B114FP	114FP		1 1/4" NPT	2.34	2.31	2.00
1 1/2	B112FP	112FP		1 1/2" NPT	2.88	2.60	2.25
2	B2FP	2FP		2" NPT	3.03	3.18	2.75



MALE THREADS

PLUG

BODY SIZE	PART NUMBER			THREAD	DIMENSIONS (IN.)		
	BRASS	STEEL	STAINLESS		C	D	HEX
1/8	B18MP	18MP	SS18MP	1/8" NPT	1.06	.51	.44
1/4	B14MP	14MP	SS14MP	1/4" NPT	1.56	.65	.56
3/8	B38MP	38MP	SS38MP	3/8" NPT	1.69	.79	.69
1/2	B12MP	12MP	SS12MP	1/2" NPT	2.01	1.01	.88
3/4	B34MP	34MP	SS34MP	3/4" NPT	2.20	1.23	1.06
1	B1MP	1MP	SS1MP	1" NPT	2.49	1.59	1.38
1 1/4	B114MP	114MP		1 1/4" NPT	2.72	2.02	1.75
1 1/2	B112MP	112MP		1 1/2" NPT	3.31	2.60	2.25
2	B2MP	2MP		2" NPT	3.50	3.18	2.75

FEATURES

- Non-spill design
- Push to connect sleeve
- Compliant with ISO-15171-1

APPLICATIONS

- Connect/disconnect pressure gauges to hydraulic systems, eliminating the need for permanent gauges

INTERCHANGEABILITY

- Parker
- Aeroquip
- Faster
- Dixon

MATERIALS

- Steel

SIZES

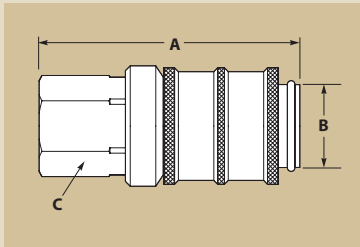
- 1/8" body size

TEMP. RATING

- -4°F to 212°F

RATED PRESSURE

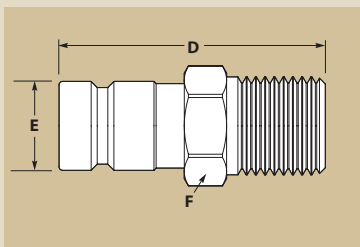
- 6000 PSI



COUPLER

BODY SIZE	STEEL	THREAD SIZE	DIMENSIONS (IN.)		
			A	B	C
1/8	PPD02-N18F	1/8" NPTF	2.13	.98	.83
1/8	PPD02-N14F	1/4" NPTF	2.13	.98	.83
1/8	PPD02-N14F-02	1/4" NPTM	2.28	.98	.83

NOTE: -02 at end of part number denotes male thread.



PLUG

BODY SIZE	STEEL	THREAD SIZE	DIMENSIONS (IN.)		
			D	E	F
1/8	PPD02-N18M	1/8" NPTF	1.88	.49	.67
1/8	PPD02-N18M-02	1/8" NPTM	1.98	.49	.67
1/8	PPD02-N14M	1/4" NPTF	1.88	.49	.67
1/8	PPD02-N14M-02	1/4" NPTM	1.43	.49	.67
1/8	PPD02-S716M-02	7/16"-20 ORBM	1.93	.49	.67
1/8	PPD02-S916M-02	9/16"-18 ORBM	1.48	.49	.67

NOTE: -02 at end of part number denotes male thread.

H900 Series – Diagnostic Couplings/Micro Hoses

FEATURES

- Leak-proof connection
- Connect/disconnect under pressure up to 5800 PSI
- Self-locking metal cap
- Able to test systems at working pressure

APPLICATIONS

- Monitoring and control of pressure
- Venting
- Fluid sampling
- Remote testing

INTERCHANGEABILITY

- Stauff
- Parker

MATERIALS

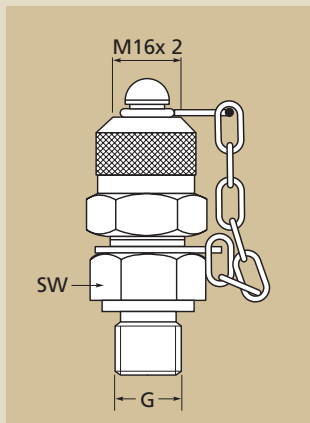
- Steel
- Stainless steel

TEMP. RATING

- -4°F to 212°F

RATED PRESSURE

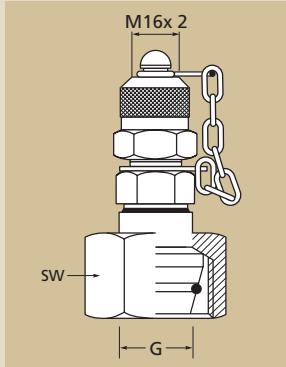
- 9000 PSI



TEST CONNECTORS

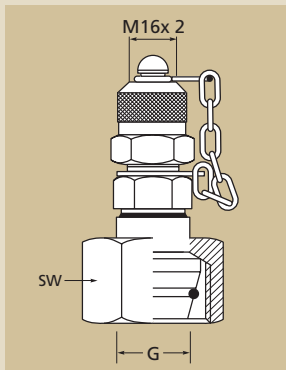
PART NO.	THREAD (G)	HEX (SW)	MATERIAL
H900-01	M8 x 1	.67	STEEL
H900-10	5/16" - 24 ORB	.67	STEEL
H900-11	7/16" - 20 ORB	.67	STEEL
H900-11-SS	7/16" - 20 ORB	.67	STAINLESS
H900-12	9/16" - 18 ORB	.75	STEEL
H900-12-SS	9/16" - 18 ORB	.75	STAINLESS
H900-20	1/8" NPTM	.67	STEEL
H900-21	1/4" NPTM	.75	STEEL
H900-21-SS	1/4" NPTM	.75	STAINLESS
H900-22	3/8" NPTM	.75	STEEL
H900-23	1/2" NPTM	.95	STEEL
H900-24	1/4" NPTF	.95	STEEL
H900-25	M10 x 1	.75	STEEL
H900-26	M12 x 1.5	.75	STEEL
H900-27	M14 x 1.5	.95	STEEL
H900-28	M16 x 1.5	.87	STEEL
H900-30	1/8" BSPM	.67	STEEL
H900-31	1/4" BSPM	.75	STEEL
H900-31-SS	1/4" BSPM	.75	STAINLESS
H900-32	3/8" BSPM	.87	STEEL
H900-33	1/2" BSPM	1.07	STEEL
H900-45	7/16" - 20 ORBM	.75	STEEL
H900-49	7/16" - 20 ORBF	.75	STEEL
H900-89	M16 x 2 Hose Union	.67	STEEL

DIAGNOSTICS & GAUGES



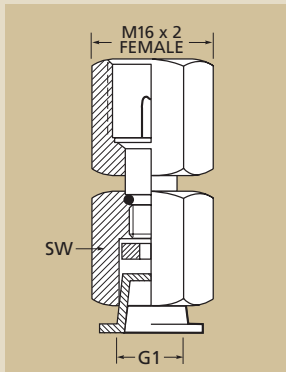
TEST CONNECTORS FOR COMPRESSION RING FITTINGS – LIGHT SERIES STEEL

PART NO.	CONNECTION (G)	TUBE SIZE	HEX (SW)
H900-51	M12 x 1.5	8	.66
H900-52	M14 x 1.5	10	.74
H900-53	M18 x 1.5	12	.87
H900-54	M22 x 1.5	15	1.06
H900-55	M26 x 1.5	18	1.26
H900-57	M36 x 2	28	1.61
H900-59	M52 x 2	42	2.36



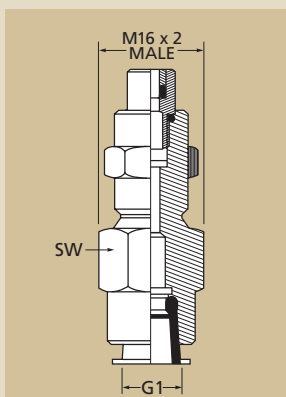
TEST CONNECTORS FOR COMPRESSION RING FITTINGS – HEAVY SERIES STEEL

PART NO.	CONNECTION (G)	TUBE SIZE	HEX (SW)
H900-60	M14 x 1.5	6	.66
H900-61	M16 x 1.5	8	.74
H900-62	M18 x 1.5	10	.87
H900-63	M20 x 1.5	12	.94
H900-65	M24 x 1.5	16	1.18



GAUGE ADAPTER M16 x 2 FEMALE

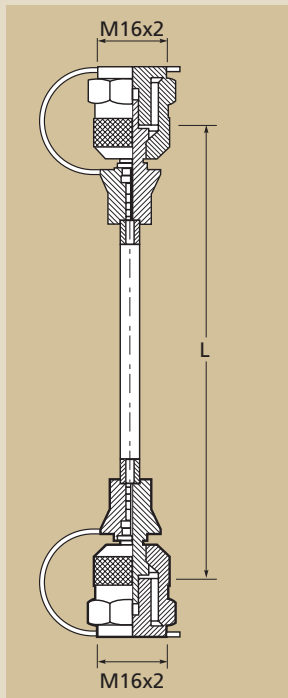
PART NO.	THREAD (G1)	HEX (SW)
H900-84	1/4" BSPF	.74
H900-85	1/2" BSPF	1.06
H900-86	1/4" NPTF	.74
H900-87	1/2" NPTF	1.06
H900-91	7/16" 20 ORBF	.87



GAUGE ADAPTER M16 x 2 MALE

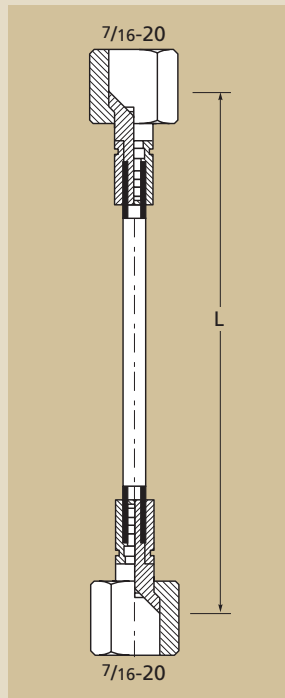
PART NO.	THREAD (G1)	HEX (SW)
H900-80	1/4" BSPF	.74
H900-81	1/2" BSPF	1.06
H900-82	1/4" NPTF	.74
H900-83	1/2" NPTF	1.06

H900 Series – Diagnostic Micro Hoses



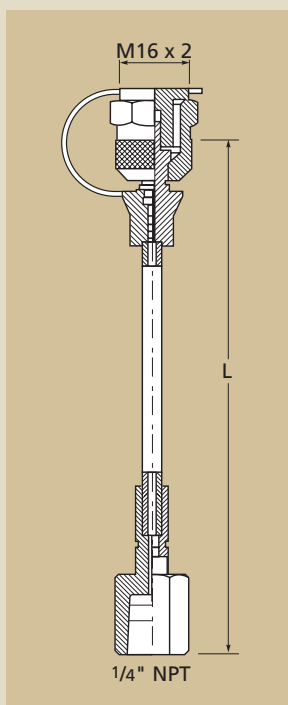
**MICRO HOSE M16 x 2 FEMALE
x M16 x 2 FEMALE**

PART NO.	LENGTH (IN)
H900-92-08	8
H900-92-12	12
H900-92-16	16
H900-92-24	24
H900-92-30	30
H900-92-32	32
H900-92-40	40
H900-92-60	60
H900-92-78	78
H900-92-98	98
H900-92-130	130
H900-92-158	158
H900-92-197	197
H900-92-236	236



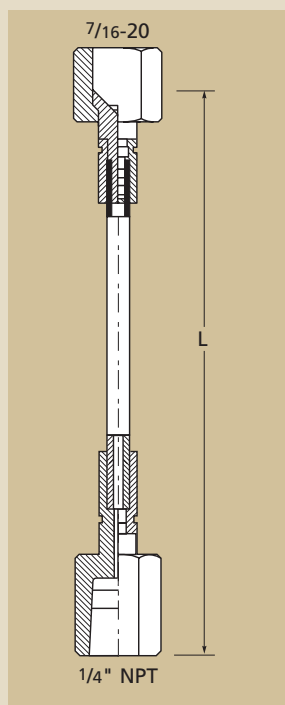
**MICRO HOSE 7/16-20 FEMALE
x 7/16-20 FEMALE**

PART NO.	LENGTH (IN)
H900-994-08	8
H900-994-10	10
H900-994-12	12
H900-994-16	16
H900-994-18	18
H900-994-20	20
H900-994-24	24
H900-994-30	30
H900-994-32	32
H900-994-40	40
H900-994-60	60
H900-994-72	72
H900-994-78	78
H900-994-98	98
H900-994-125	125
H900-994-157	157



**MICRO HOSE M16 x 2 FEMALE
x 1/4 NPT FEMALE**

PART NO.	LENGTH (IN)
H900-993-08	8
H900-993-10	10
H900-993-12	12
H900-993-16	16
H900-993-20	20
H900-993-24	24
H900-993-30	30
H900-993-32	32
H900-993-40	40
H900-993-60	60
H900-993-78	78
H900-993-98	98
H900-993-125	125
H900-993-157	157



**MICRO HOSE 7/16-20 FEMALE
x 1/4 NPT FEMALE**

PART NO.	LENGTH (IN)
H900-995-08	8
H900-995-10	10
H900-995-12	12
H900-995-16	16
H900-995-18	18
H900-995-20	20
H900-995-24	24
H900-995-30	30
H900-995-32	32
H900-995-40	40
H900-995-60	60
H900-995-78	78
H900-995-98	98
H900-995-125	125
H900-995-157	157

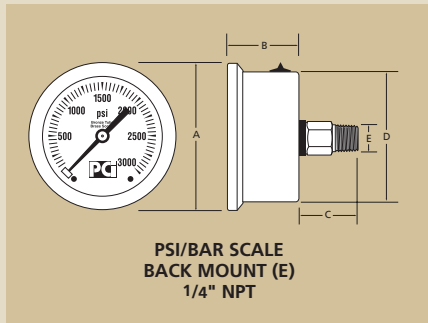
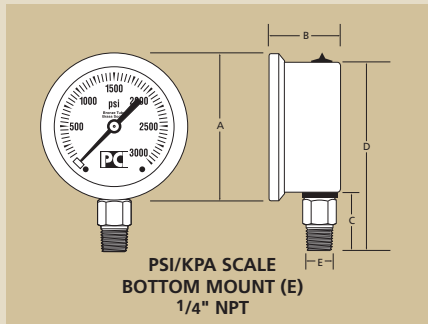
NOTE: Custom hose lengths available. Contact PCI.

PCI PCLG Series – Liquid Filled 2 1/2" Stainless Case Pressure Gauges



PCLG SERIES

DIAGNOSTICS & GAUGES



PART NUMBER	PRESSURE RANGE	A	B	C	D
PCLG-30-0V	-30HG – 0 PSI	2.80	1.28	1.07	3.55
PCLG-3030-C	-30HG – 30 PSI	2.80	1.28	1.07	3.55
PCLG-30P	0 – 30 PSI	2.80	1.28	1.07	3.55
PCLG-60P	0 – 60 PSI	2.80	1.28	1.07	3.55
PCLG-100P	0 – 100 PSI	2.80	1.28	1.07	3.55
PCLG-160P	0 – 160 PSI	2.80	1.28	1.07	3.55
PCLG-200P	0 – 200 PSI	2.80	1.28	1.07	3.55
PCLG-300P	0 – 300 PSI	2.80	1.28	1.07	3.55
PCLG-600P	0 – 600 PSI	2.80	1.28	1.07	3.55
PCLG-1000P	0 – 1000 PSI	2.80	1.28	1.07	3.55
PCLG-2000P	0 – 2000 PSI	2.80	1.28	1.07	3.55
PCLG-3000P	0 – 3000 PSI	2.80	1.28	1.07	3.55
PCLG-5000P	0 – 5000 PSI	2.80	1.28	1.07	3.55
PCLG-10,000P	0 – 10,000 PSI	2.80	1.28	1.07	3.55
PCLG-15,000P	0 – 15,000 PSI	2.80	1.28	1.07	3.55

PART NUMBER	PRESSURE RANGE	A	B	C	D
PCLG-30-0V-B	-30HG – 0 PSI	2.80	1.28	1.07	2.48
PCLG-3030-C-B	-30HG – 30 PSI	2.80	1.28	1.07	2.48
PCLG-30P-B	0 – 30 PSI	2.80	1.28	1.07	2.48
PCLG-60P-B	0 – 60 PSI	2.80	1.28	1.07	2.48
PCLG-100P-B	0 – 100 PSI	2.80	1.28	1.07	2.48
PCLG-160P-B	0 – 160 PSI	2.80	1.28	1.07	2.48
PCLG-200P-B	0 – 200 PSI	2.80	1.28	1.07	2.48
PCLG-300P-B	0 – 300 PSI	2.80	1.28	1.07	2.48
PCLG-600P-B	0 – 600 PSI	2.80	1.28	1.07	2.48
PCLG-1000P-B	0 – 1000 PSI	2.80	1.28	1.07	2.48
PCLG-2000P-B	0 – 2000 PSI	2.80	1.28	1.07	2.48
PCLG-3000P-B	0 – 3000 PSI	2.80	1.28	1.07	2.48
PCLG-5000P-B	0 – 5000 PSI	2.80	1.28	1.07	2.48
PCLG-10,000P-B	0 – 10,000 PSI	2.80	1.28	1.07	2.48

NOTE: Center back gauges include the panel clamp

ACCESSORIES:

PART NUMBER	DESCRIPTION
PC-02	PANEL FLANGE

CONSTRUCTION: STAINLESS STEEL CASE
BRONZE BOURDON TUBE
GLYCERINE FILLED

ACCURACY: 1.5% FULL SCALE
TEMPERATURE: -30°F – 160°F

Two-Way High Pressure Ball Valves

SPECIFICATIONS

- Block body
- Full port, sizes 1/4 - 1"
- Reduced port, sizes 1 1/4 - 1 1/2"
- NPT – ORB – BSP connections
- Delrin ball seats
- Viton® O-Rings
- Black oxide coating
- Temp range -20°F to 215°F
- Nickel plated ball

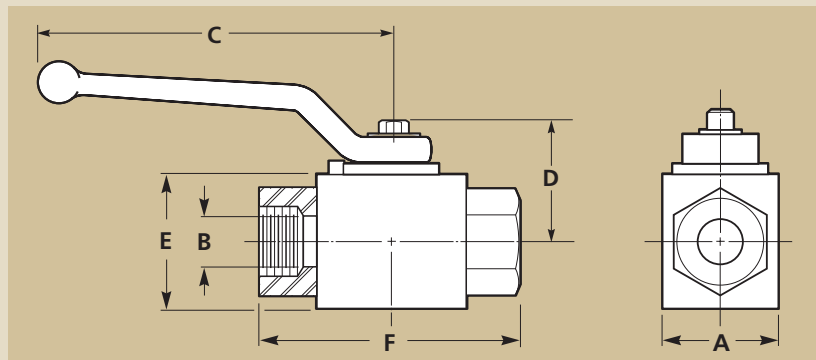
OPTIONS

- Lock kits
- Actuator packages
- Straight handles
- Red aluminum handles
- Special ball seats and seals for higher temperature and aggressive applications
- Mounting holes



NBKH SERIES

SIZE	THREAD	PART NUMBER	WORKING PRESSURE		DIMENSIONS (IN.)					
			PSI	BAR	A	B	C	D	E	F
1/4	1/4 NPT	NBKH-14-NPT-1125	7350	500	1.02	.24	4.21	1.20	1.26	2.72
1/4	1/4 BSPP	NBKH-14-BSP-1125	7350	500	1.02	.24	4.21	1.20	1.26	2.72
1/4	7/16-20 ORB	NBKH-14-SAE-1125	7350	500	1.02	.24	4.21	1.20	1.26	2.72
3/8	3/8 NPT	NBKH-38-NPT-1125	7350	500	1.26	.39	4.21	1.29	1.50	2.87
3/8	3/8 BSPP	NBKH-38-BSP-1125	7350	500	1.26	.39	4.21	1.29	1.50	2.87
3/8	9/16-18 ORB	NBKH-38-SAE-1125	7350	500	1.26	.39	4.21	1.29	1.50	2.87
1/2	1/2 NPT	NBKH-12-NPT-1125	7350	500	1.38	.51	4.21	1.31	1.57	3.62
1/2	1/2 BSPP	NBKH-12-BSP-1125	7350	500	1.38	.51	4.21	1.31	1.57	3.62
1/2	3/4-16 ORB	NBKH-12-SAE-1125	7350	500	1.38	.51	4.21	1.31	1.57	3.62
3/4	3/4 NPT	NBKH-34-NPT-1125	5880	400	1.93	.79	6.50	1.91	2.24	3.82
3/4	3/4 BSPP	NBKH-34-BSP-1125	5880	400	1.93	.79	6.50	1.91	2.24	3.82
3/4	1 1/16-12 ORB	NBKH-34-SAE-1125	5880	400	1.93	.79	6.50	1.91	2.24	3.82
1	1 NPT	NBKH-1-NPT-1125	5145	350	2.36	.94	6.50	1.95	2.36	4.45
1	1 BSPP	NBKH-1-BSP-1125	5145	350	2.36	.94	6.50	1.95	2.36	4.45
1	1 5/16-12 ORB	NBKH-1-SAE-1125	5145	350	2.36	.94	6.50	1.95	2.36	4.45
1x1 1/4	1 1/4 NPT	NBKH-114-NPT-1125	5145	350	2.36	.94	6.50	1.95	2.36	5.16
1x1 1/4	1 1/4 BSPP	NBKH-114-BSP-1125	5145	350	2.36	.94	6.50	1.95	2.36	5.16
1x1 1/4	1 5/8-12 ORB	NBKH-114-SAE-1125	5145	350	2.36	.94	6.50	1.95	2.36	5.16
1x1 1/2	1 1/2 NPT	NBKH-112-NPT-1125	5145	350	2.36	.94	6.50	1.95	2.36	5.47
1x1 1/2	1 1/2 BSPP	NBKH-112-BSP-1125	5145	350	2.36	.94	6.50	1.95	2.36	5.47
1x1 1/2	1 7/8-12 ORB	NBKH-112-SAE-1125	5145	350	2.36	.94	6.50	1.95	2.36	5.47



See page 65 for full safety information.

SPECIFICATIONS

- Block body
- Full port, sizes 1/4 - 1"
- Reduced port, sizes 1 1/4 - 1 1/2"
- NPT – ORB connections
- Delrin ball seats
- Buna-N O-Rings
- Zinc clear coating (RoHs compliant)
- Temp range -20°F to 215°F
- Nickel plated ball

OPTIONS

- Lock kits
- Actuator packages
- Straight handles
- Red aluminum handles
- Special ball seats and seals for higher temperature and aggressive applications
- Mounting holes

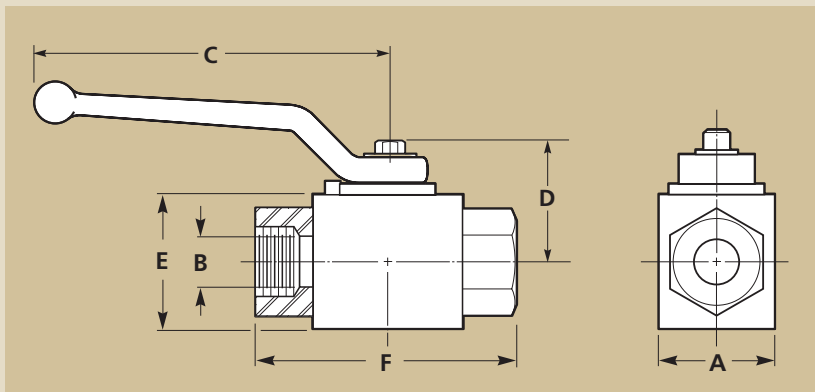


BKH SERIES

WORKING PRESSURE DIMENSIONS (IN.)

SIZE	THREAD	PART NUMBER	PSI	BAR	A	B	C	D	E	F
1/4	1/4 NPT	BKH-14-NPT-1123-2	7350	500	1.02	.24	4.21	1.20	1.26	2.72
1/4	7/16-20 ORB	BKH-14-SAE-1123-2	7350	500	1.02	.24	4.21	1.20	1.26	2.72
3/8	3/8 NPT	BKH-38-NPT-1123-2	7350	500	1.26	.39	4.21	1.29	1.50	2.87
3/8	9/16-18 ORB	BKH-38-SAE-1123-2	7350	500	1.26	.39	4.21	1.29	1.50	2.87
1/2	1/2 NPT	BKH-12-NPT-1123-2	7350	500	1.38	.51	4.21	1.31	1.57	3.62
1/2	3/4-16 ORB	BKH-12-SAE-1123-2	7350	500	1.38	.51	4.21	1.31	1.57	3.62
3/4	3/4 NPT	BKH-34-NPT-1123-2	5880	400	1.93	.78	6.50	1.91	2.24	3.82
3/4	1 1/16-12 ORB	BKH-34-SAE-1123-2	5880	400	1.93	.78	6.50	1.91	2.24	3.82
1	1 NPT	BKH-1-NPT-1123-2	5145	350	2.36	.94	6.50	1.95	2.36	4.45
1	1 5/16-12 ORB	BKH-1-SAE-1123-2	5145	350	2.36	.94	6.50	1.95	2.36	4.45
1x1 1/4	1 1/4 NPT	BKH-114-NPT-1123-2	5145	350	2.36	.94	6.50	1.95	2.36	5.16
1x1 1/4	1 5/8-12 ORB	BKH-114-SAE-1123-2	5145	350	2.36	.94	6.50	1.95	2.36	5.16
1x1 1/2	1 1/2 NPT	BKH-112-NPT-1123-2	5145	350	2.36	.94	6.50	1.95	2.36	5.47
1x1 1/2	1 7/8-12 ORB	BKH-112-SAE-1123-2	5145	350	2.36	.94	6.50	1.95	2.36	5.47

VALVES



See page 65 for full safety information.

Two-Way High Pressure Ball Valves

SPECIFICATIONS

- Forged body
- Full port
- NPT – ORB – BSP connections
- Delrin ball seats
- Viton® O-Rings
- Black oxide coating
- Temp range -20°F to 215°F
- Nickel plated ball

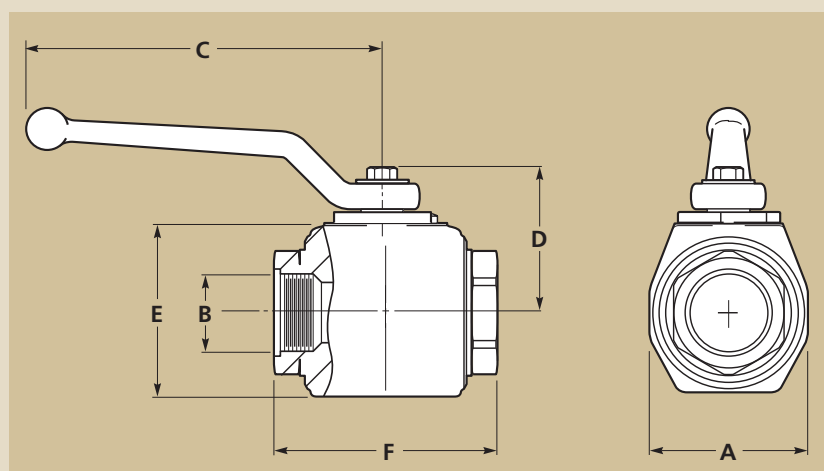
OPTIONS

- Lock kits
- Actuator packages
- Straight handles
- Red aluminum handles
- Special ball seats and seals for higher temperature and aggressive applications



SKH SERIES

SIZE	THREAD	PART NUMBER	WORKING PRESSURE		DIMENSIONS (IN.)					
			PSI	BAR	A	B	C	D	E	F
1 1/4	1 1/4 NPT	SKH-114-NPT-3125	5880	400	2.99	1.26	8.30	2.10	3.30	4.50
1 1/4	1 1/4 BSPP	SKH-114-BSP-3125	5880	400	2.99	1.26	8.30	2.10	3.30	4.50
1 1/4	1 5/8-12 ORB	SKH-114-SAE-3125	5880	400	2.99	1.26	8.30	2.10	3.30	4.50
1 1/2	1 1/2 NPT	SKH-112-NPT-3125	5880	400	3.27	1.50	8.30	2.73	3.62	5.30
1 1/2	1 1/2 BSPP	SKH-112-BSP-3125	5880	400	3.27	1.50	8.30	2.73	3.62	5.30
1 1/2	1 7/8-12 ORB	SKH-112-SAE-3125	5880	400	3.27	1.50	8.30	2.73	3.62	5.30
2	2 NPT	SKH-2-NPT-3125	5880	400	3.94	1.89	8.50	3.15	4.37	5.50
2	2 BSPP	SKH-2-BSP-3125	5880	400	3.94	1.89	8.50	3.15	4.37	5.50
2	2 1/2-12 ORB	SKH-2-SAE-3125	5880	400	3.94	1.89	8.50	3.15	4.37	5.50



See page 65 for full safety information.

SPECIFICATIONS

- Forged body
- Full port
- NPT – ORB connections
- Delrin ball seats
- Buna-N O-Rings
- Zinc clear coating (RoHs compliant)
- Temp range -20°F to 215°F
- Nickel plated ball

OPTIONS

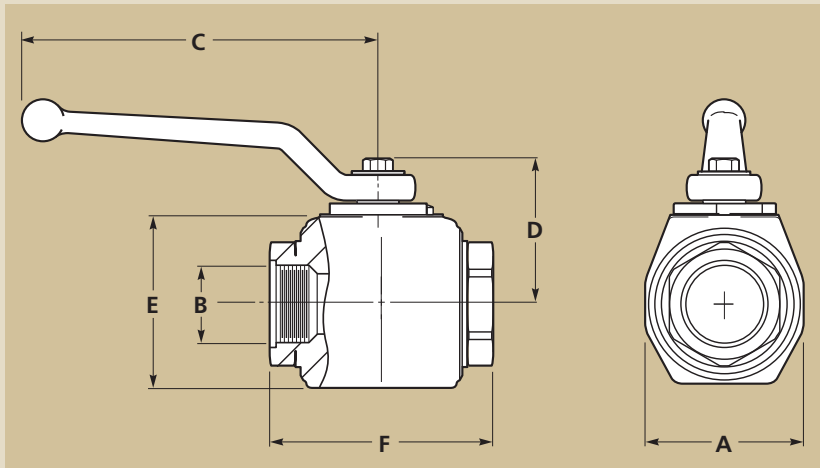
- Lock kits
- Actuator packages
- Straight handles
- Red aluminum handles
- Special ball seats and seals for higher temperature and aggressive applications



SKH SERIES

SIZE	THREAD	PART NUMBER	WORKING PRESSURE		DIMENSIONS (IN.)					
			PSI	BAR	A	B	C	D	E	F
1 1/4	1 1/4 NPT	SKH-114-NPT-3123-2	5880	400	2.99	1.26	8.30	2.60	3.30	4.50
1 1/4	1 5/8-12 ORB	SKH-114-SAE-3123-2	5880	400	2.99	1.26	8.30	2.60	3.30	4.50
1 1/2	1 1/2 NPT	SKH-112-NPT-3123-2	5880	400	3.27	1.50	8.30	2.73	3.62	5.30
1 1/2	1 7/8-12 ORB	SKH-112-SAE-3123-2	5880	400	3.27	1.50	8.30	2.73	3.62	5.30
2	2 NPT	SKH-2-NPT-3123-2	5880	400	3.94	1.89	8.50	3.15	4.37	5.50
2	2 1/2-12 ORB	SKH-2-SAE-3123-2	5880	400	3.94	1.89	8.50	3.15	4.37	5.50

VALVES



See page 65 for full safety information.

HRKH Series Ultra High-Pressure Ball Valves

SPECIFICATIONS

- Carbon steel
- NPT threads
- Delrin ball seats
- Buna-N O-Rings
- Temp range -20°F to 215°F
- Nickel plated ball

OPTIONS

- Actuator packages
- Stainless handles
- Special ball seats and seals for higher temperature and aggressive applications



STEEL

HRKH SERIES

SIZE	THREAD	PART NUMBER	WORKING PRESSURE		DIMENSIONS (IN.)					
			PSI	BAR	A	B	C	D	E	F
1/4	1/4 NPT	HRKH-14-NPT-3923	11,760	800	2.33	.24	4.21	1.61	2.33	3.86
3/8	3/8 NPT	HRKH-38-NPT-3923	11,760	800	2.33	.35	4.21	1.61	2.33	3.86
1/2	1/2 NPT	HRKH-12-NPT-3923	11,760	800	2.33	.35	4.21	1.61	2.33	3.86
3/4	3/4 NPT	HRKH-34-NPT-3923	11,760	800	3.11	.51	6.49	2.20	3.11	4.49
1	1 NPT	HRKH-1-NPT-3923	11,760	800	3.11	.67	6.49	2.50	3.70	4.73

SPECIFICATIONS

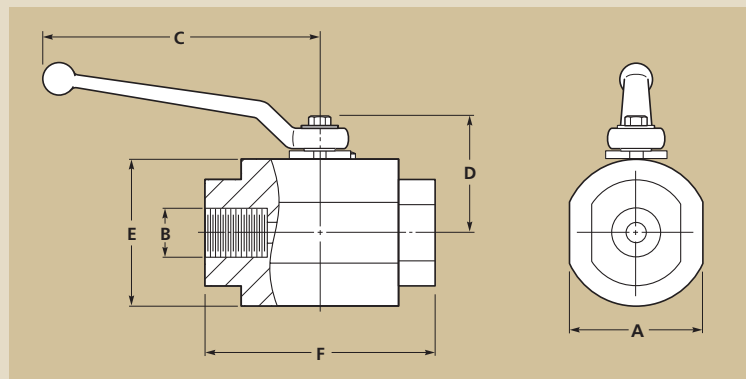
- 316 Stainless steel
- NPT threads
- Delrin ball seats
- Viton O-Rings
- Temp range -20°F to 215°F
- Stainless ball

OPTIONS

- Actuator packages
- Stainless handles
- Red aluminum handles
- Special ball seats and seals for higher temperature and aggressive applications

STAINLESS STEEL

SIZE	THREAD	PART NUMBER	WORKING PRESSURE		DIMENSIONS (IN.)					
			PSI	BAR	A	B	C	D	E	F
1/4	1/4 NPT	HRKH-14-NPT-4425	10,150	700	2.33	.24	4.21	1.61	2.33	3.86
3/8	3/8 NPT	HRKH-38-NPT-4425	10,150	700	2.33	.35	4.21	1.61	2.33	3.86
1/2	1/2 NPT	HRKH-12-NPT-4425	10,150	700	2.33	.35	4.21	1.61	2.33	3.86
3/4	3/4 NPT	HRKH-34-NPT-4425	10,150	700	3.11	.51	6.49	2.20	3.11	4.49
1	1 NPT	HRKH-1-NPT-4425	10,150	700	3.11	.67	6.49	2.50	3.70	4.73



See page 65 for full safety information.



RKH Series 316 Stainless Steel Ball Valves

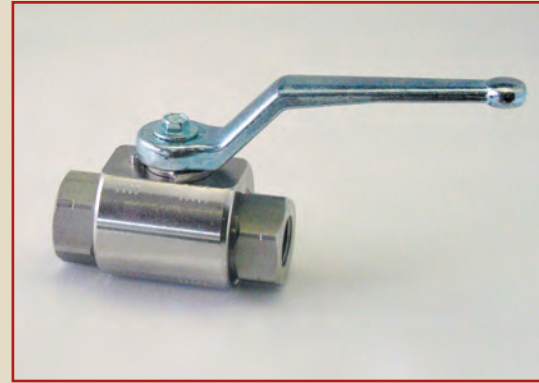
SPECIFICATIONS

- All 316 Stainless steel body, stem & ball
- Full port
- NPT – ORB connections
- Delrin ball seats
- Viton O-Rings
- Temp range -20°F to 215°F

OPTIONS

- Lock kits
- Actuator packages*
- Stainless handles
- Red aluminum handles
- Special ball seats and seals for higher temperature and aggressive applications

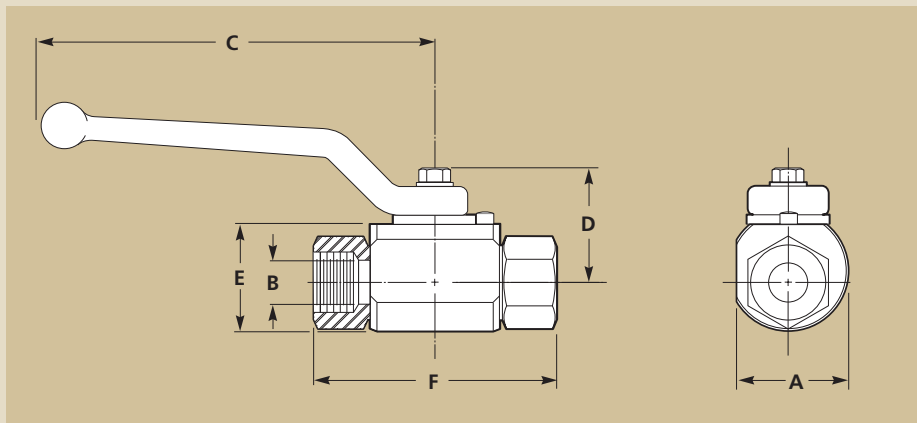
* Stem stabilizer needed (-D) before actuators can be mounted. Contact PCI for details.



RKH SERIES

SIZE	THREAD	PART NUMBER	WORKING PRESSURE		DIMENSIONS (IN.)					
			PSI	BAR	A	B	C	D	E	F
1/4	1/4 NPTF	RKH-14-NPT-4425	5880	400	1.02	.24	4.21	1.20	1.26	2.72
1/4	7/16-20 ORB	RKH-14-SAE-4425	5880	400	1.02	.24	4.21	1.20	1.26	2.72
3/8	3/8 NPTF	RKH-38-NPT-4425	5880	400	1.26	.39	4.21	1.29	1.50	2.87
3/8	9/16-18 ORB	RKH-38-SAE-4425	5880	400	1.26	.39	4.21	1.29	1.50	2.87
1/2	1/2 NPTF	RKH-12-NPT-4425	5880	400	1.38	.51	4.21	1.31	1.57	3.62
1/2	3/4-16 ORB	RKH-12-SAE-4425	5880	400	1.38	.51	4.21	1.31	1.57	3.62
3/4	3/4 NPTF	RKH-34-NPT-4425	5145	400	1.93	.79	6.50	1.91	2.24	3.82
3/4	1 1/16-12 ORB	RKH-34-SAE-4425	5145	400	1.93	.79	6.50	1.91	2.24	3.82
1	1 NPTF	RKH-1-NPT-4425	5145	400	2.36	.94	6.50	1.95	2.36	4.45
1	1 1/16-12 ORB	RKH-1-SAE-4425	5145	400	2.36	.94	6.50	1.95	2.36	4.45
1 1/4	1 1/4 NPTF	RKH-114-NPT-4425	5880	350	3.54	1.25	8.30	2.59	3.30	6.54
1 1/4	1 5/8-12 ORB	RKH-114-SAE-4425	5880	350	3.54	1.25	8.30	2.59	3.30	6.54
1 1/2	1 1/2 NPTF	RKH-112-NPT-4425	5880	350	3.26	1.49	8.30	2.73	3.62	7.14
1 1/2	1 7/8-12 ORB	RKH-112-SAE-4425	5880	350	3.26	1.49	8.30	2.73	3.62	7.14
2	2 NPTF	RKH-2-NPT-4425	5880	350	3.94	1.89	8.50	3.15	4.37	9.30
2	2 1/2-12 ORB	RKH-2-SAE-4425	5880	350	3.94	1.89	8.50	3.15	4.37	9.30

VALVES



See page 65 for full safety information.

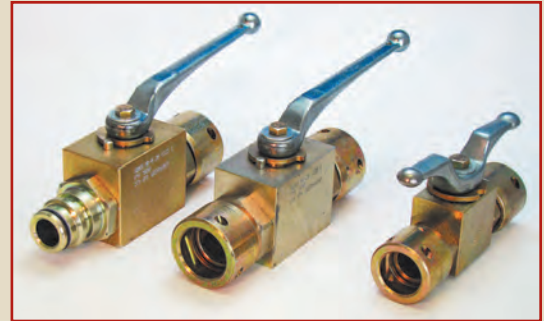
Stecko and Super Stecko Mining Ball Valves

SPECIFICATIONS

- Full port
- Delrin ball seats
- Buna-N O-Rings
- Temp range -20°F to 215°F
- Nickel plated ball

APPLICATION

- Long wall coal mining



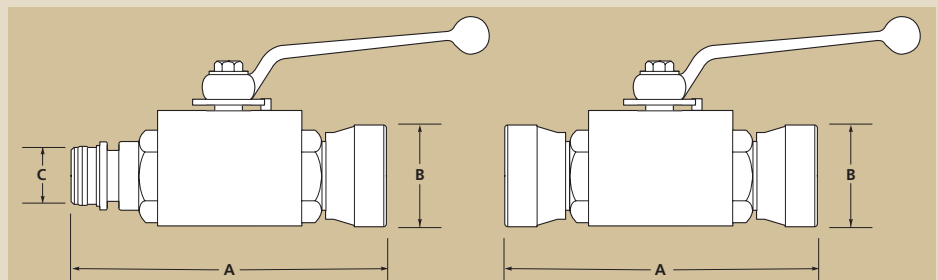
BBKH SERIES

REGULAR STECKO

SIZE	CONNECTION	PART NUMBER	WORKING PRESSURE		DIMENSIONS (IN.)		
			PSI	BAR	A	B	C
1/4	F x M	BBKH-06-1123-1-FM	7250	500	4.17	.98	.59
1/4	F x F	BBKH-06-1123-1-FF	7250	500	4.17	.98	
3/8	F x M	BBKH-10-1123-1-FM	7250	500	4.45	1.18	.79
3/8	F x F	BBKH-10-1123-1-FF	7250	500	4.45	1.18	
1/2	F x M	BBKH-13-1123-1-FM	7250	500	4.65	1.26	.94
1/2	F x F	BBKH-13-1123-1-FF	7250	500	4.65	1.26	
3/4	F x M	BBKH-20-1123-1-FM	5880	400	5.43	1.57	1.14
3/4	F x F	BBKH-20-1123-1-FF	5880	400	5.43	1.57	
1	F x M	BBKH-25-1123-1-FM	5075	350	5.94	2.17	1.54
1	F x F	BBKH-25-1123-1-FF	5075	350	5.94	2.17	
1 1/4	F x M	BBKH-32-3123-1-FM	5075	350	6.50	2.36	1.81
1 1/4	F x F	BBKH-32-3123-1-FF	5075	350	6.54	2.36	
1 1/2	F x M	BBKH-40-3123-1-FM	5075	350	8.54	2.76	2.20
1 1/2	F x F	BBKH-40-3123-1-FF	5075	350	8.78	2.76	
2	F x M	BBKH-50-3123-1-FM	5075	350	8.58	3.15	2.52
2	F x F	BBKH-50-3123-1-FF	5075	350	9.37	3.15	

SUPER STECKO

SIZE	CONNECTION	PART NUMBER	WORKING PRESSURE		DIMENSIONS (IN.)		
			PSI	BAR	A	B	C
1 1/4	F x M	BSKH-32-3123-1-FM-SS	5075	350	8.04	2.76	1.81
1 1/4	F x F	BSKH-32-3123-1-FF-SS	5075	350	8.04	2.76	
1 1/2	F x M	BSKH-40-3123-1-FM-SS	5075	350	8.98	3.25	2.15
1 1/2	F x F	BSKH-40-3123-1-FF-SS	5075	350	8.67	3.25	
2	F x M	BSKH-50-3123-1-FM-SS	5075	350	10.18	3.74	2.50
2	F x F	BSKH-50-3123-1-FF-SS	5075	350	10.24	3.74	



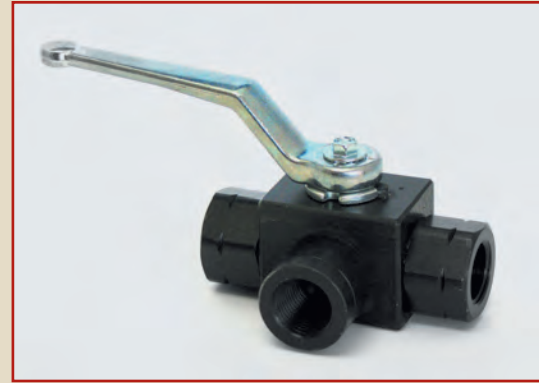
See page 65 for full safety information.

SPECIFICATIONS

- Block body
- Full port
- NPT – ORB connections
- Delrin ball seats
- Black oxide coating
- Viton O-Rings
- Temp range -20°F to 215°F
- Nickel plated ball

OPTIONS

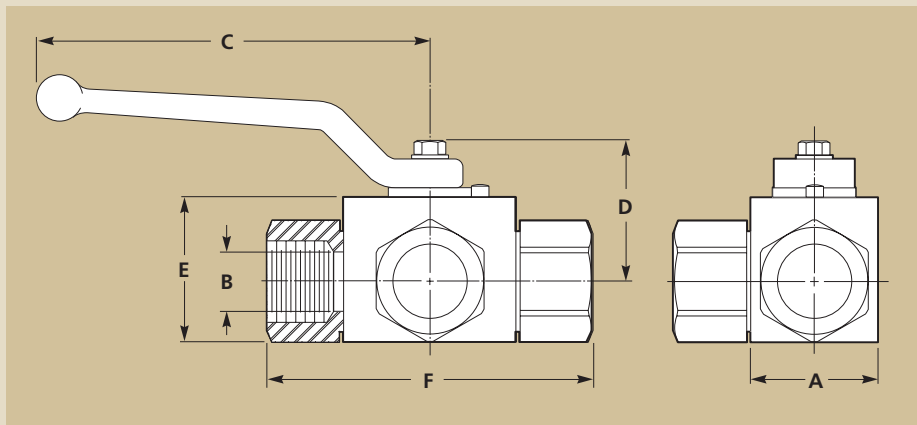
- Lock kits
- Actuator packages
- Straight handles
- Red aluminum handles
- Special ball seats and seals for higher temperature and aggressive applications
- Stainless steel



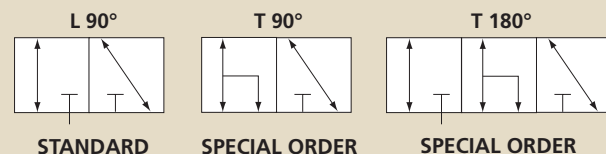
BK3 SERIES

SIZE	THREAD	PART NUMBER	WORKING PRESSURE		DIMENSIONS (IN.)					
			PSI	BAR	A	B	C	D	E	F
1/4	1/4 NPTF	BK3-14-NPT-1125-L	5880	400	1.02	.24	4.21	1.20	1.26	2.72
1/4	7/16-20 ORB	BK3-14-SAE-1125-L	5880	400	1.02	.24	4.21	1.20	1.26	2.72
3/8	3/8 NPTF	BK3-38-NPT-1125-L	5880	400	1.26	.39	4.21	1.29	1.50	2.87
3/8	9/16-18 ORB	BK3-38-SAE-1125-L	5880	400	1.26	.39	4.21	1.29	1.50	2.87
1/2	1/2 NPTF	BK3-12-NPT-1125-L	5145	350	1.38	.51	4.21	1.31	1.57	3.62
1/2	3/4-16 ORB	BK3-12-SAE-1125-L	5145	350	1.38	.51	4.21	1.31	1.57	3.62
3/4	3/4 NPTF	BK3-34-NPT-1125-L	5145	350	1.93	.79	6.50	1.91	2.24	3.82
3/4	1 1/16-12 ORB	BK3-34-SAE-1125-L	5145	350	1.93	.79	6.50	1.91	2.24	3.82
1	1 NPTF	BK3-1-NPT-1125-L	5145	350	2.36	.94	6.50	1.95	2.36	4.45
1	1 5/16-12 ORB	BK3-1-SAE-1125-L	5145	350	2.36	.94	6.50	1.95	2.36	4.45

VALVES



NOTE: The sealing function of the BK3/SK3 standard valves is only given when the pressure standing on the closed port is less than or equal to the inlet pressure of the open port.



See page 65 for full safety information.

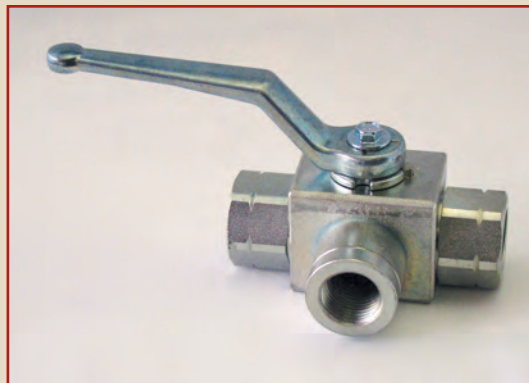
Three-Way Diverter Valves

SPECIFICATIONS

- Block body
- Full port
- NPT – ORB connections
- Delrin ball seats
- Buna-O-Rings
- Zinc clear coating (ROHS compliant)
- Temp range -20°F to 215°F
- Nickel plated ball

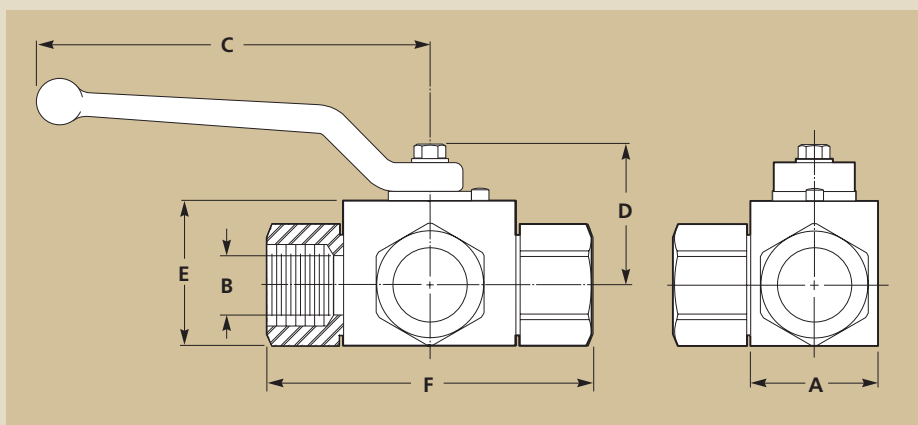
OPTIONS

- Lock kits
- Actuator packages
- Straight handles
- Red aluminum handles
- Special ball seats and seals for higher temperature and aggressive applications
- Mounting holes
- Stainless steel

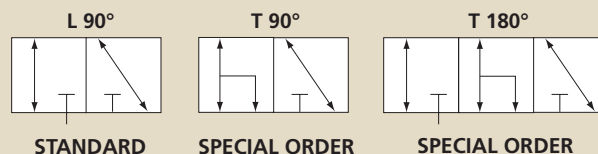


BK3 SERIES

SIZE	THREAD	PART NUMBER	WORKING PRESSURE		DIMENSIONS (IN.)					
			PSI	BAR	A	B	C	D	E	F
1/4	1/4 NPTF	BK3-14-NPT-1123-2-L	5880	400	1.02	.24	4.21	1.20	1.26	2.72
1/4	7/16-20 ORB	BK3-14-SAE-1123-2-L	5880	400	1.02	.24	4.21	1.20	1.26	2.72
3/8	3/8 NPTF	BK3-38-NPT-1123-2-L	5880	400	1.26	.39	4.21	1.29	1.50	2.87
3/8	9/16-18 ORB	BK3-38-SAE-1123-2-L	5880	400	1.26	.39	4.21	1.29	1.50	2.87
1/2	1/2 NPTF	BK3-12-NPT-1123-2-L	5145	350	1.38	.51	4.21	1.31	1.57	3.62
1/2	3/4-16 ORB	BK3-12-SAE-1123-2-L	5145	350	1.38	.51	4.21	1.31	1.57	3.62
3/4	3/4 NPTF	BK3-34-NPT-1123-2-L	5145	350	1.93	.79	6.50	1.91	2.24	3.82
3/4	1 1/16-12 ORB	BK3-34-SAE-1123-2-L	5145	350	1.93	.79	6.50	1.91	2.24	3.82
1	1 NPTF	BK3-1-NPT-1123-2-L	5145	350	2.36	.94	6.50	1.95	2.36	4.45
1	1 5/16-12 ORB	BK3-1-SAE-1123-2-L	5145	350	2.36	.94	6.50	1.95	2.36	4.45



NOTE: The sealing function of the BK3/SK3 standard valves is only given when the pressure standing on the closed port is less than or equal to the inlet pressure of the open port.



See page 65 for full safety information.

SPECIFICATIONS

- Forged body
- Full port
- NPT – ORB connections
- Delrin ball seats
- Black oxide coating
- Viton-O-Rings
- Temp range -20°F to 215°F
- Nickel plated ball

OPTIONS

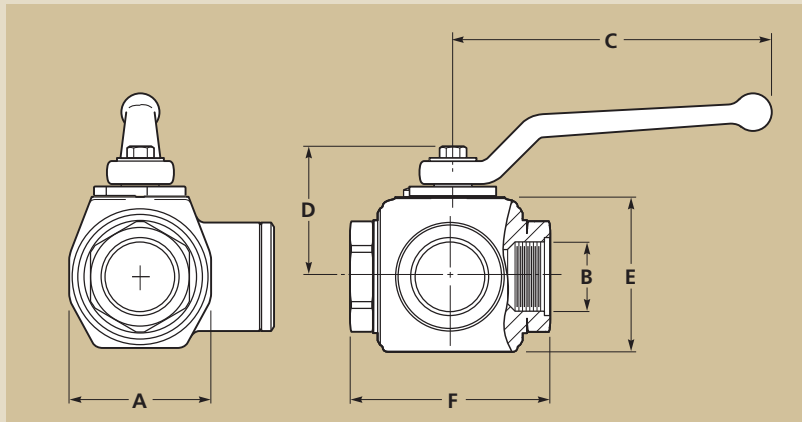
- Lock kits
- Actuator packages
- Red aluminum handles
- Special ball seats and seals for higher temperature and aggressive applications
- Stainless steel



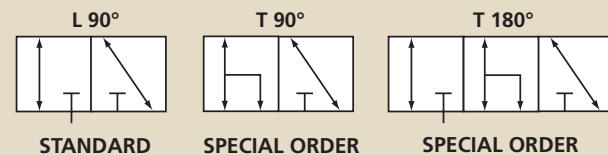
SK3 SERIES

SIZE	THREAD	PART NUMBER	WORKING PRESSURE		DIMENSIONS (IN.)					
			PSI	BAR	A	B	C	D	E	F
1 1/4	1 1/4 NPTF	SK3-114-NPT-3125-L	5145	350	2.99	1.18	8.50	2.60	3.30	4.53
1 1/4	1 5/8-12 ORB	SK3-114-SAE-3125-L	5145	350	2.99	1.18	8.50	2.60	3.30	4.53
1 1/2	1 1/2 NPTF	SK3-112-NPT-3125-L	5145	350	3.27	1.37	8.30	2.73	3.62	4.81
1 1/2	1 7/8-12 ORB	SK3-112-SAE-3125-L	5145	350	3.27	1.37	8.30	2.73	3.62	4.81
2	2 NPTF	SK3-2-NPT-3125-L	5145	350	3.94	1.73	8.30	3.15	4.37	5.53
2	2 1/2-12 ORB	SK3-2-SAE-3125-L	5145	350	3.94	1.73	8.30	3.15	4.37	5.53

VALVES



NOTE: The sealing function of the BK3/SK3 standard valves is only given when the pressure standing on the closed port is less than or equal to the inlet pressure of the open port.



See page 65 for full safety information.

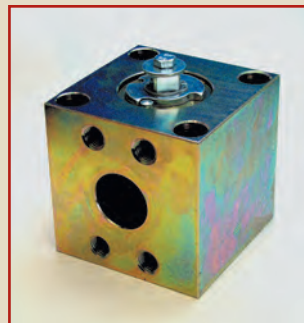
Panel Mount 2-Way/3-Way Ball Valves

SPECIFICATIONS

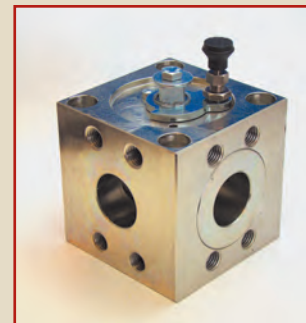
- Block body
- Full port
- Code 62
- Direct mount
- Delrin ball seats
- Viton O-Rings
- Temp range -20°F to 215°F
- Nickel plated ball

OPTIONS

- Locking device
- Actuator packages
- Red aluminum handles
- Special ball seats and seals for higher temperature and aggressive applications



PV2 SERIES

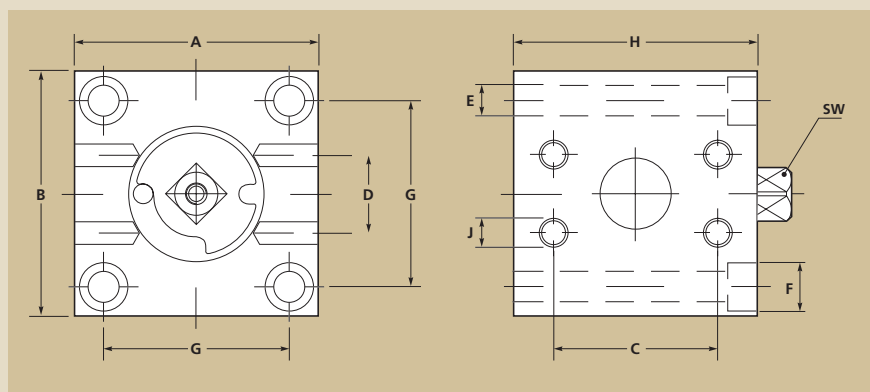


PV3 SERIES

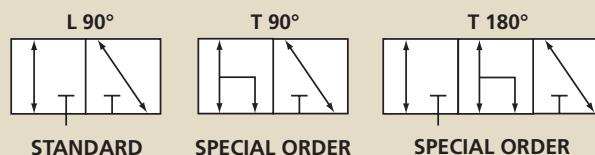
WORKING PRESSURE

DIMENSIONS (IN.)

SIZE	PART NUMBER	PSI	BAR	PORTS	A	B	C	D	E	F	G	H	J	SW
1/2	PV2-13-SAE-6000-1125	5880	400	2	2.37	2.37	1.60	.72	.36	.59	1.70	2.21	M8	.36
1/2	PV3-13-SAE-6000-1125	5880	400	3	2.37	2.37	1.60	.72	.36	.59	1.70	2.21	M8	.36
3/4	PV2-20-SAE-6000-1125	5880	400	2	3.15	3.15	2.00	.94	.44	.71	2.37	2.84	M10	.56
3/4	PV3-20-SAE-6000-1125	5880	400	3	3.15	3.15	2.00	.94	.44	.71	2.37	2.84	M10	.56
1	PV2-25-SAE-6000-1125	5880	400	2	3.70	3.70	2.25	1.10	.44	.71	2.76	3.19	M12	.56
1	PV3-25-SAE-6000-1125	5880	400	3	3.70	3.70	2.25	1.10	.44	.71	2.76	3.19	M12	.56
1 1/4	PV2-32-SAE-6000-1125	5880	400	2	3.94	3.94	2.63	1.25	.50	.79	3.00	3.94	M14	.67
1 1/4	PV3-32-SAE-6000-1125	5880	400	3	3.94	3.94	2.63	1.25	.50	.79	3.00	3.94	M14	.67
1 1/2	PV2-40-SAE-6000-1125	5880	400	2	4.33	4.33	3.13	1.44	.50	.79	3.31	4.41	M16	.67
1 1/2	PV3-40-SAE-6000-1125	5880	400	3	4.33	4.33	3.13	1.44	.50	.79	3.31	4.41	M16	.67
2	PV2-50-SAE-6000-1125	5880	400	2	5.12	5.12	3.82	1.75	.50	.79	4.26	5.32	M20	.67
2	PV3-50-SAE-6000-1125	5880	400	3	5.12	5.12	3.82	1.75	.50	.79	4.26	5.32	M20	.67



NOTE: The sealing function of the PV3 standard valves is only given when the pressure standing on the closed port is less than or equal to the inlet pressure of the open port.



See page 65 for full safety information.



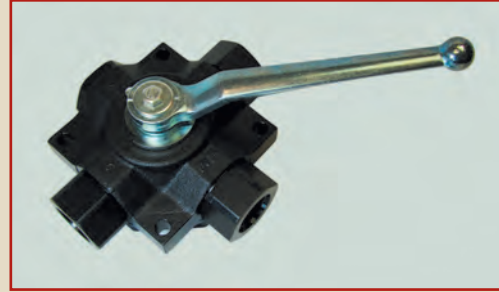
Multi-Port High-Pressure Ball Valves

SPECIFICATIONS

- Block body sizes 1/4" - 3/8"
- Forged body sizes 1/2" - 1"
- Various porting patterns
- Delrin ball seats
- Viton-O-Rings
- Temp range -20°F to 215°F
- Nickel plated ball

OPTIONS

- Lock kits
- Actuator packages
- Red aluminum handles
- Special ball seats and seals for higher temperature and aggressive applications
- Stainless steel



3-WAY

WORKING PRESSURE

DIMENSIONS (IN.)

SIZE	THREAD	PART NUMBER	PSI	BAR	A	B	D	H	H1	H2
1/4	1/4 NPTF	3KH-14-NPT-1125-XX	7350	500	2.16	2.75	.25	2.68	2.04	.47
1/4	7/16-20 ORB	3KH-14-SAE-1125-XX	7350	500	2.16	2.75	.25	2.68	2.04	.47
3/8	3/8 NPTF	3KH-38-NPT-1125-XX	7350	500	2.55	3.15	.25	2.79	2.17	.47
3/8	9/16-18 ORB	3KH-38-SAE-1125-XX	7350	500	2.55	3.15	.25	2.79	2.17	.47
1/2	1/2 NPTF	3KH-12-NPT-2125-XX	5880	400	3.15	3.90	.34	3.03	2.36	.47
1/2	3/4-16 ORB	3KH-12-SAE-2125-XX	5880	400	3.15	3.90	.34	3.03	2.36	.47
3/4	3/4 NPTF	3KH-34-NPT-2125-XX	5880	400	4.13	4.41	.34	3.52	2.79	.53
3/4	11/16-12 ORB	3KH-34-SAE-2125-XX	5880	400	4.13	4.41	.34	3.52	2.79	.53
1	1 NPTF	3KH-1-NPT-2125-XX	5145	350	4.13	4.88	.34	3.86	3.11	.53
1	15/16-12 ORB	3KH-1-SAE-2125-XX	5145	350	4.13	4.88	.34	3.86	3.11	.53

XX – Add porting pattern choice from next page.

4-WAY

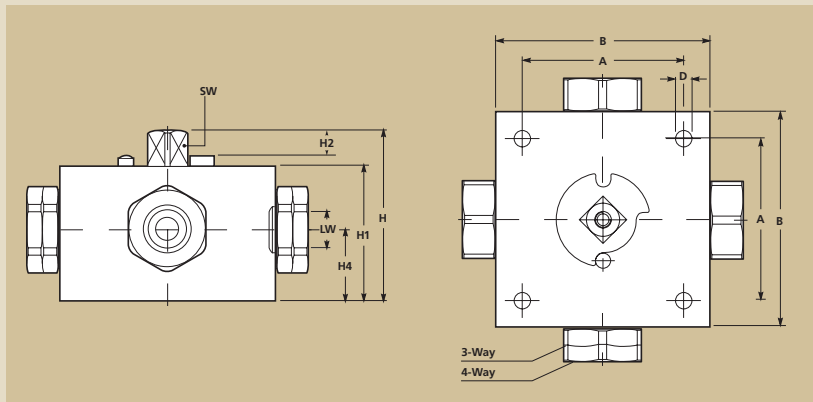
WORKING PRESSURE

DIMENSIONS (IN.)

SIZE	THREAD	PART NUMBER	PSI	BAR	A	B	D	H	H1	H2
1/4	1/4 NPTF	4KH-14-NPT-1125-XX	7350	500	2.16	2.75	.25	2.68	2.04	.47
1/4	7/16-20 ORB	4KH-14-SAE-1125-XX	7350	500	2.16	2.75	.25	2.68	2.04	.47
3/8	3/8 NPTF	4KH-38-NPT-1125-XX	7350	500	2.55	3.15	.25	2.79	2.17	.47
3/8	9/16-18 ORB	4KH-38-SAE-1125-XX	7350	500	2.55	3.15	.25	2.79	2.17	.47
1/2	1/2 NPTF	4KH-12-NPT-2125-XX	5880	400	3.15	3.90	.34	3.03	2.36	.47
1/2	3/4-16 ORB	4KH-12-SAE-2125-XX	5880	400	3.15	3.90	.34	3.03	2.36	.47
3/4	3/4 NPTF	4KH-34-NPT-2125-XX	5880	400	4.13	4.41	.34	3.52	2.79	.53
3/4	11/16-12 ORB	4KH-34-SAE-2125-XX	5880	400	4.13	4.41	.34	3.52	2.79	.53
1	1 NPTF	4KH-1-NPT-2125-XX	5145	350	4.13	4.88	.34	3.86	3.11	.53
1	15/16-12 ORB	4KH-1-SAE-2125-XX	5145	350	4.13	4.88	.34	3.86	3.11	.53

XX – Add porting pattern choice from next page.

VALVES



See page 65 for full safety information.

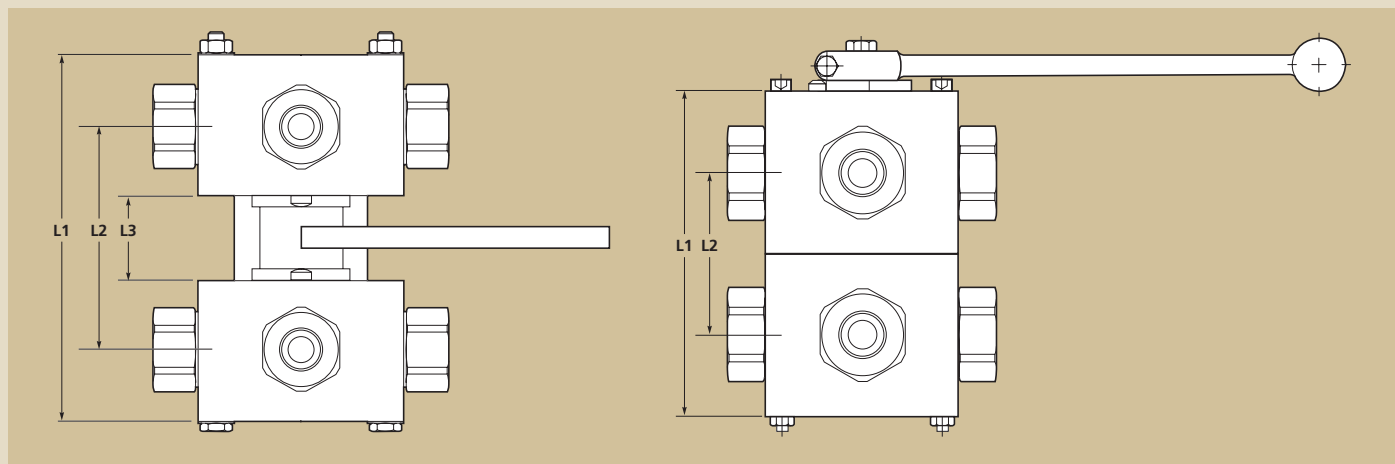
Multi-Way Ball Valve Order Code

ORDER CODE

The following porting patterns are the most commonly used. To choose the pattern you need, please add the 2-digit number to the end of the multi-way ball valve part number. Other patterns are available upon request.

ORDER NUMBER	BALL VALVE TYPE	SERIES	OPERATION	OPERATION SYMBOLS	FLOW CHART
01	3/2-Way ball valve with L-bore	3KH	+0° -90°		
03	3/2-Way ball valve with T-bore	3KH	+0° -90°		
05	3/2-Way ball valve with T-bore and relief bore	3KH	0° -90°		
06	4/2-Way ball valve with X-bore	4KH	+0° -90°		
07	4/3-Way ball valve with X-bore and additional bore	4KH	0° -45° -90°		

NOTE: Double-stacked valves available. Contact PCI for details.



TYPE A

TYPE B

DN mm	L1 mm	L2 mm	L3 mm
4-8	140	89	36
10	146	90	36
13	156	96	36
20	176	102	34
25	186	102	30

DN mm	L1 mm	L2 mm
4-8	104	52
10	110	55
13	120	60
20	142	71
25	158	80



See page 65 for full safety information.



BKHU/BKHU3 Series Manifold Mount Ball Valves

SPECIFICATIONS

- Block body
- Full port
- Delrin ball seats
- Viton-O-Rings
- Temp range -20°F to 215°F
- Black oxide coating
- Nickel plated ball

OPTIONS

- Lock kits
- Actuator packages
- Straight handles
- Red aluminum handles
- Special ball seats and seals for higher temperature and aggressive applications
- Stainless Steel



BKHU/BKHU3 SERIES

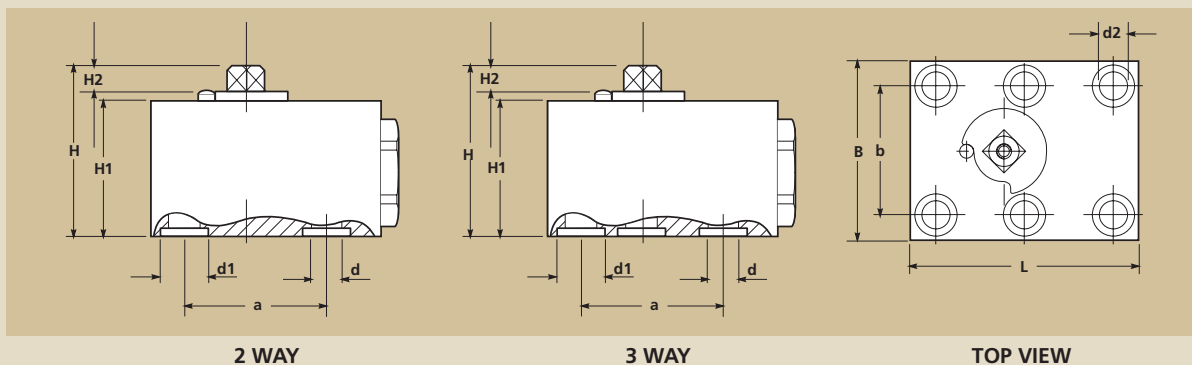
2-WAY

SIZE	PART NUMBER	WORKING PRESSURE		DIMENSIONS (IN.)								
		PSI	BAR	a	B	b	d2	H	H1	H2	H4	L
1/4	BKHU-DN06-1125	7250	500	1.54	1.93	1.38	.33	1.93	1.50	.31	.75	2.24
3/8	BKHU-DN10-1125	7250	500	1.73	2.17	1.57	.35	2.05	1.61	.31	.75	2.80
1/2	BKHU-DN13-1125	7250	500	2.28	2.36	1.77	.35	2.40	1.97	.31	1.06	3.88
3/4	BKHU-DN20-1125	5880	400	2.72	2.76	2.00	.41	3.39	2.76	.47	1.52	4.65
1	BKHU-DN25-1125	5880	400	3.19	3.15	2.36	.51	3.78	3.15	.47	1.77	5.39
1 1/4	BKHU-DN32-1125	4570	315	3.78	3.94	3.07	.51	4.69	3.94	.53	2.13	6.52
1 1/2	BKHU-DN40-1125	4570	315	4.41	5.12	3.74	.67	4.69	3.94	.53	2.13	7.20
2	BKHU-DN50-1125	4570	315	5.35	5.91	4.41	.87	5.28	4.53	.53	2.13	8.70

3-WAY

SIZE	PART NUMBER	WORKING PRESSURE		DIMENSIONS (IN.)								
		PSI	BAR	a	B	b	d2	H	H1	H2	H4	L
1/4	BKHU3-DN06-1125	7250	500	1.54	1.93	1.38	.33	1.93	1.50	.31	.75	2.24
3/8	BKHU3-DN10-1125	7250	500	1.73	2.17	1.57	.35	2.05	1.61	.31	.75	2.80
1/2	BKHU3-DN13-1125	7250	500	2.28	2.36	1.77	.35	2.40	1.97	.31	1.06	3.88
3/4	BKHU3-DN20-1125	5880	400	2.72	2.76	2.00	.41	3.39	2.76	.47	1.52	4.65
1	BKHU3-DN25-1125	5880	400	3.19	3.15	2.36	.51	3.78	3.15	.47	1.77	5.39
1 1/4	BKHU3-DN32-1125	4570	315	3.78	3.94	3.07	.51	4.69	3.94	.53	2.13	6.52
1 1/2	BKHU3-DN40-1125	4570	315	4.41	5.12	3.74	.67	4.69	3.94	.53	2.13	7.20
2	BKHU3-DN50-1125	4570	315	5.35	5.91	4.41	.87	5.28	4.53	.53	2.13	8.70

VALVES



See page 65 for full safety information.

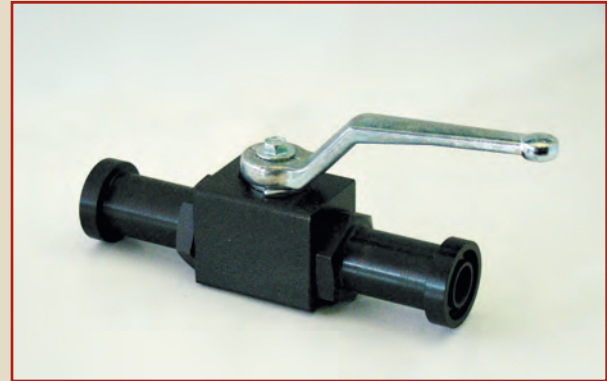
Code 61/62 Split Flange Ball Valves

SPECIFICATIONS

- Block body
- Full port
- Code 61/62 split flange ends
- Delrin ball seats
- Viton O-Rings
- Temp range -20°F to 215°F
- Black oxide coating
- Nickel plated ball

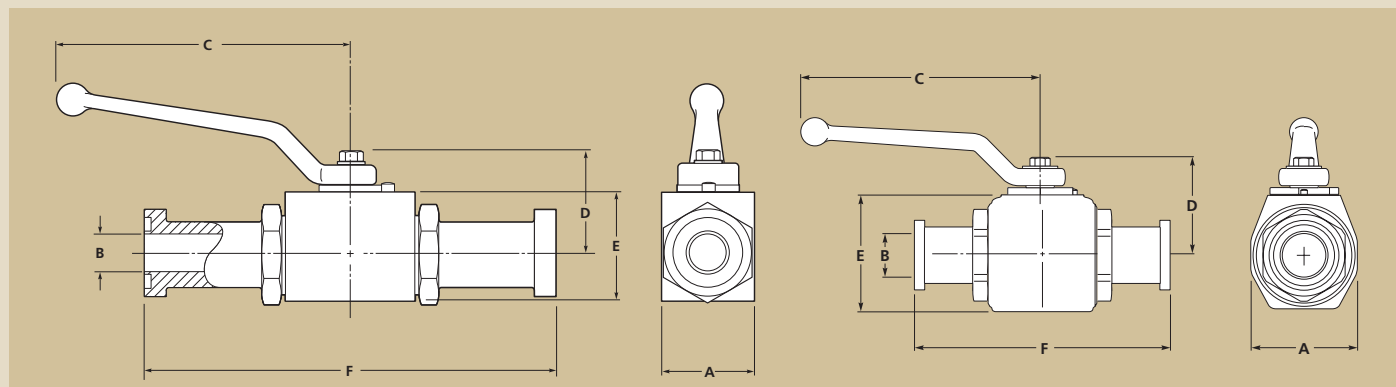
OPTIONS

- Lock kits
- Actuator packages
- Straight handles
- Red aluminum handles
- Special ball seats and seals for higher temperature and aggressive applications
- Stainless steel



SPLIT FLANGE

SIZE	PART NUMBER	WORKING PRESSURE			CODE	FLANGE SIZE	DIMENSIONS (IN.)					
		PSI	BAR				A	B	C	D	E	F
1/2	BKH-13-SAE-3000-S-1125	4630	315		61	1/2"	1.37	.49	4.21	1.32	1.57	5.95
1/2	BKH-13-SAE-6000-S-1125	5880	400		62	1/2"	1.37	.49	4.21	1.32	1.57	5.95
3/4	BKH-20-SAE-3000-S-1125	4630	315		61	3/4"	1.93	.75	6.50	1.90	2.24	6.38
3/4	BKH-20-SAE-6000-S-1125	5880	400		62	3/4"	1.93	.75	6.50	1.90	2.24	6.85
1	BKH-25-SAE-3000-S-1125	4630	315		61	1"	2.36	.95	6.50	1.95	2.36	7.01
1	BKH-25-SAE-6000-S-1125	5880	400		62	1"	2.36	.95	6.50	1.95	2.36	7.80
1 1/4	SKH-32-SAE-3000-S-3125	3675	250		61	1 1/4"	2.99	1.25	8.30	2.60	3.30	7.50
1 1/4	SKH-32-SAE-6000-S-3125	5880	400		62	1 1/4"	2.99	1.25	8.30	2.60	3.30	8.78
1 1/2	SKH-40-SAE-3000-S-3125	2940	200		61	1 1/2"	3.27	1.50	8.30	2.74	3.62	9.10
1 1/2	SKH-40-SAE-6000-S-3125	5880	400		62	1 1/2"	3.27	1.50	8.30	2.74	3.62	11.07
2	SKH-50-SAE-3000-S-3125	2940	200		61	2"	3.94	1.89	8.30	3.15	4.37	9.14
2	SKH-50-SAE-6000-S-3125	5880	400		62	2"	3.94	1.89	8.30	3.15	4.37	12.44



BLOCK BODY SIZES 1/2"-1"

FORGED BODY SIZES 1 1/4"-2"



See page 65 for full safety information.



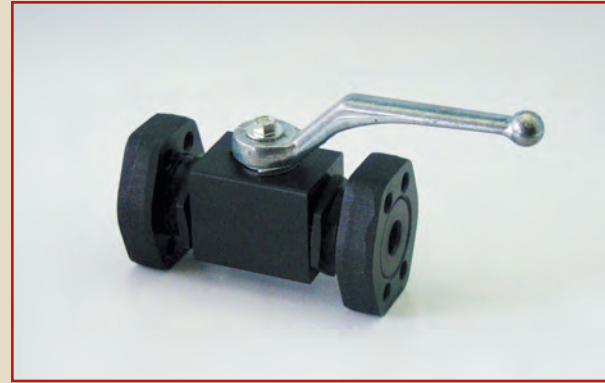
Code 61/62 Full Flange Ball Valves

SPECIFICATIONS

- Block body
- Full port
- Code 61/62 full flange ends
- Delrin ball seats
- Buna-N O-Rings
- Temp range -20°F to 215°F
- Black oxide coating
- Nickel plated ball

OPTIONS

- Lock kits
- Actuator packages
- Straight handles
- Red aluminum handles
- Special ball seats and seals for higher temperature and aggressive applications
- Stainless steel



FULL FLANGE

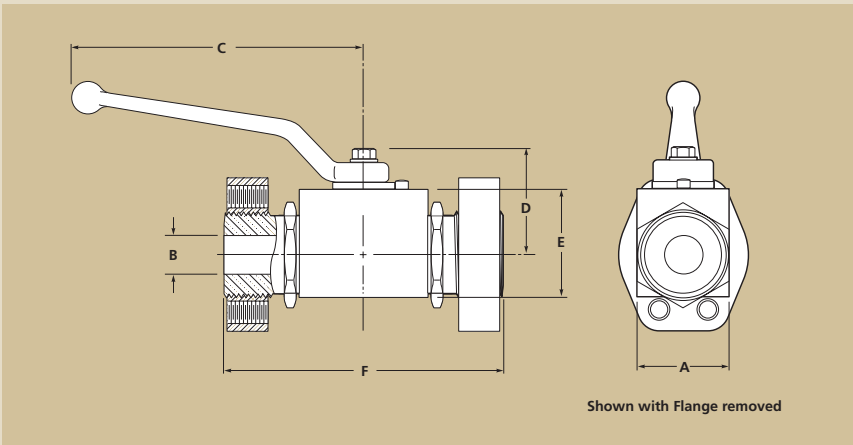
WORKING PRESSURE

DIMENSIONS (IN.)

SIZE	PART NUMBER	CODE	FLANGE SIZE	PSI	BAR	A	B	C	D	E	F	METRIC	UNC
1/2	BKH-13-SAE-3000-F-1123	61	1/2"	4630	315	1.37	.49	4.21	1.32	1.57	4.09	M8	5/16-18
1/2	BKH-13-SAE-6000-F-1123	62	1/2"	5880	400	1.37	.49	4.21	1.32	1.57	4.09	M8	5/16-18
3/4	BKH-20-SAE-3000-F-1123	61	3/4"	4630	315	1.93	.75	6.50	1.90	2.24	4.76	M10	3/8-16
3/4	BKH-20-SAE-6000-F-1123	62	3/4"	5880	400	1.93	.75	6.50	1.90	2.24	4.76	M10	3/8-16
1	BKH-25-SAE-3000-F-1123	61	1"	4630	315	2.36	.95	6.50	1.95	2.36	5.24	M10	3/8-16
1	BKH-25-SAE-6000-F-1123	62	1"	5880	400	2.36	.95	6.50	1.95	2.36	5.24	M10	7/16-14
1 1/4	SKH-32-SAE-3000-F-3123	61	1 1/4"	3675	250	2.99	1.25	8.30	2.60	3.30	6.42	M10	7/16-14
1 1/4	SKH-32-SAE-6000-F-3123	62	1 1/4"	5880	400	2.99	1.25	8.30	2.60	3.30	6.42	M14	1/2-13
1 1/2	SKH-40-SAE-3000-F-3123	61	1 1/2"	2940	200	3.27	1.50	8.30	2.74	3.62	6.61	M12	1/2-13
1 1/2	SKH-40-SAE-6000-F-3123	62	1 1/2"	5880	400	3.27	1.50	8.30	2.74	3.62	6.61	M16	5/8-11
2	SKH-50-SAE-3000-F-3123	61	2"	2940	200	3.94	1.89	8.30	3.15	4.37	7.32	M12	3/4-10
2	SKH-50-SAE-6000-F-3123	62	2"	5880	400	3.94	1.89	8.30	3.15	4.37	7.32	M20	3/4-10
2	SKH-65/50-SAE-3000-F-3123	61	2 1/2"	2350	160	3.94	1.89	8.30	3.15	4.37	6.85	M12	1/2-13

NOTE: Valves come standard with metric bolt holes. For UNC bolt holes, add -UNC to end of part number.
NOTE: Sizes 1/2"-1" are block body, sizes 1 1/4"-2" are forged body.

VALVES



See page 65 for full safety information.

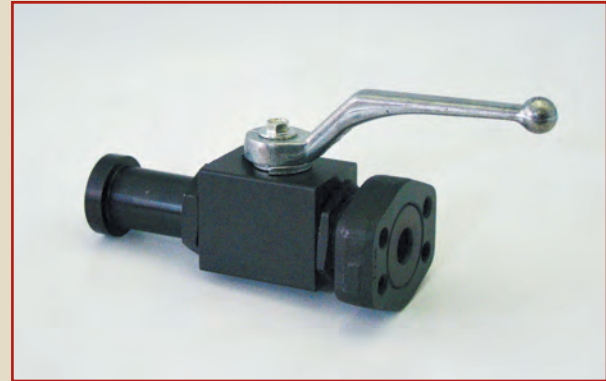
Code 61/62 Split x Full Flange Combination Ball Valves

SPECIFICATIONS

- Block body
- Full port
- Code 61/62 full flange ends
- Delrin ball seats
- Buna-N O-Rings
- Temp range -20°F to 215°F
- Black oxide coating
- Nickel plated ball

OPTIONS

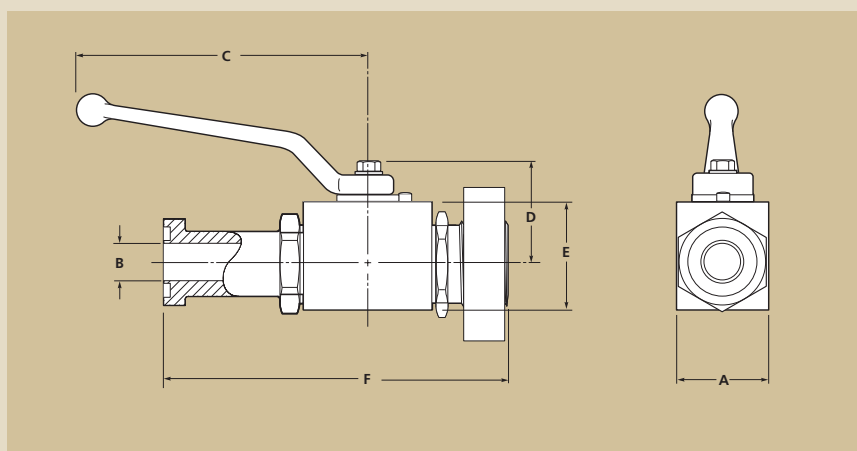
- Lock kits
- Actuator packages
- Straight handles
- Red aluminum handles
- Special ball seats and seals for higher temperature and aggressive applications
- Stainless steel



SPLIT x FULL FLANGE

SIZE	PART NUMBER	WORKING PRESSURE			FLANGE SIZE	DIMENSIONS (IN.)						METRIC	UNC
		PSI	BAR	CODE		A	B	C	D	E	F		
1/2	BKH-13-SAE-3000-D/S-1123	4630	315	61	1/2"	1.37	.49	4.21	1.32	1.57	5.02	M8	5/16-18
1/2	BKH-13-SAE-6000-D/S-1123	5880	400	62	1/2"	1.37	.49	4.21	1.32	1.57	5.02	M8	5/16-18
3/4	BKH-20-SAE-3000-D/S-1123	4630	315	61	3/4"	1.93	.75	6.50	1.90	2.24	5.57	M10	3/8-16
3/4	BKH-20-SAE-6000-D/S-1123	5880	400	62	3/4"	1.93	.75	6.50	1.90	2.24	5.81	M10	3/8-16
1	BKH-25-SAE-3000-D/S-1123	4630	315	61	1"	2.36	.95	6.50	1.95	2.36	6.31	M10	3/8-16
1	BKH-25-SAE-6000-D/S-1123	5880	400	62	1"	2.36	.95	6.50	1.95	2.36	6.52	M10	7/16-14
1 1/4	SKH-32-SAE-3000-D/S-3123	3675	250	61	1 1/4"	2.99	1.25	8.30	2.60	3.30	6.95	M10	7/16-14
1 1/4	SKH-32-SAE-6000-D/S-3123	5880	400	62	1 1/4"	2.99	1.25	8.30	2.60	3.30	7.60	M14	1/2-13
1 1/2	SKH-40-SAE-3000-D/S-3123	2940	200	61	1 1/2"	3.27	1.50	8.30	2.74	3.62	7.86	M12	1/2-13
1 1/2	SKH-40-SAE-6000-D/S-3123	5880	400	62	1 1/2"	3.27	1.50	8.30	2.74	3.62	8.86	M16	5/8-11
2	SKH-50-SAE-3000-D/S-3123	2940	200	61	2"	3.94	1.89	8.30	3.15	4.37	8.32	M12	1/2-13
2	SKH-50-SAE-6000-D/S-3123	5880	400	62	2"	3.94	1.89	8.30	3.15	4.37	9.89	M20	3/4-10

NOTE: Valves come standard with metric bolt holes. For UNC bolt holes, add -UNC to end of part number.
NOTE: Sizes 1/2"-1" are block body, sizes 1 1/4"-2" are forged body.



See page 65 for full safety information.



FCKH Series Direct Mount Flanged Ball Valves

SPECIFICATIONS

- 1"-4" sizes
- Floating ball
- Code 61/62 connections
- Delrin ball seats
- Buna-N-O-Rings
- Temp range -20°F to 215°F

APPLICATIONS

- Hydraulic
- Gas industry
- Environmental industry
- Petrochemical

OPTIONS

- Lock kits
- Actuator packages
- Stainless steel

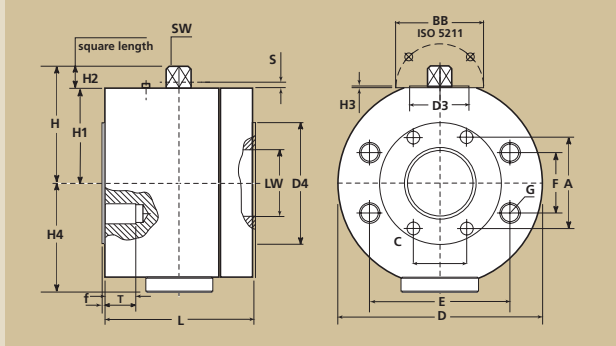


DIRECT MOUNT

CODE 61/62 COMBINATION

WORKING PRESSURE _____ DIMENSIONS (IN.) _____

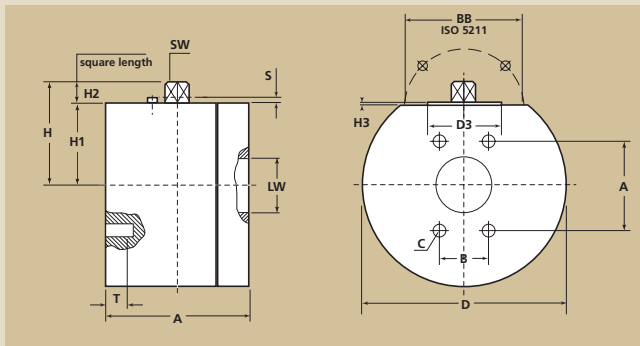
SIZE	PART NUMBER	PSI	BAR	L	D	H	H1	H2	SW	D3	E	F	G METRIC	G UNC
1	FCKH-DN25-SAE-3/6-3123-1	5800	400	3.5	4.69	2.46	1.76	.59	.56	2.17	2.26	1.10	M12	7/16-14
1 1/4	FCKH-DN32-SAE-3/6-3123-1	5800	400	4.5	5.48	3.15	2.30	.73	.67	1.38	2.63	1.26	M14	1/2-13
1 1/2	FCKH-DN40-SAE-3/6-3123-1	5800	400	4.5	6.26	3.32	2.48	.73	.67	1.38	3.13	1.44	M16	5/8-11
2	FCKH-DN50-SAE-3/6-3123-1	5800	400	5.0	7.05	3.62	2.77	.73	.67	1.38	3.82	1.76	M20	3/4-10



CODE 61

WORKING PRESSURE _____ DIMENSIONS (IN.) _____

SIZE	PART NUMBER	PSI	BAR	L	D	D4	F	H	H1	H2	SW	A	B	G METRIC	G UNC
2 1/2	FCKH-DN65-SAE-3000-3123-1	2300	160	5.9	7.37	4.57	.02	4.37	3.51	.83	.75	3.50	2.00	M12	1/2-13
3	FCKH-DN80-SAE-3000-3123-1	2300	160	6.9	8.15	5.59	.02	4.96	3.90	1.03	.87	4.19	2.44	M14	5/8-11
4	FCKH-DN100-SAE-3000-3123-1	500	35	7.5	9.73	6.78	.02	5.83	4.51	1.22	1.07	5.13	3.07	M16	5/8-11



See page 65 for full safety information.

High Pressure Ball Valve Accessories

LOCK KITS

PART NUMBER	DESCRIPTION	MATERIAL
LK-1	Fits 1/4 -1/2" BKH – BK3 valves	Steel with black oxide coating
LK-1-C	Fits 1/4 -1/2" BKH – BK3 valves	Steel with zinc clear coating
LK-1-SS	Fits 1/4 -1/2" RKH valves	Stainless Steel
LK-2	Fits 3/4 -1 1/2" BKH – BK3 valves	Steel with black oxide coating
LK-2-C	Fits 3/4 -1 1/2" BKH – BK3 valves	Steel with zinc clear coating
LK-2-SS	Fits 3/4 -1" RKH valves	Stainless Steel
LK-3	Fits 1 1/4 -2" SKH – SK3 valves	Steel with black oxide coating
LK-3-C	Fits 1 1/4 -2" SKH – SK3 valves	Steel with zinc clear coating
LK-3-SS	Fits 1 1/4 -2" RKH valves	Stainless Steel



LOCK KITS

HANDLES

PART NUMBER	DESCRIPTION
SW-09-S	Steel cranked handle for 9mm (.36") stem
SW-09-A	Red aluminum handle for 9mm (.36") stem
SW-09-SS	Stainless steel handle for 9mm (.36") stem
SW-14-S	Steel cranked handle for 14mm (.56") stem
SW-14-A	Red aluminum handle for 14mm (.56") stem
SW-14-SS	Stainless steel handle for 14mm (.56") stem
SW-17-S	Steel cranked handle for 17mm (.67") stem
SW-17-A	Red aluminum handle for 17mm (.67") stem

NOTE: Handles come with screws.



HANDLES

SEAL KITS

PART NUMBER	DESCRIPTION
BKH-14-KIT-1123	Seal kit Delrin/Buna for 1/4" valves
BKH-14-KIT-1125	Seal kit Delrin/Viton for 1/4" valves
BKH-38-KIT-1123	Seal kit Delrin/Buna for 3/8" valves
BKH-38-KIT-1125	Seal kit Delrin/Viton for 3/8" valves
BKH-12-KIT-1123	Seal kit Delrin/Buna for 1/2" valves
BKH-12-KIT-1125	Seal kit Delrin/Viton for 1/2" valves
BKH-34-KIT-1123	Seal kit Delrin/Buna for 3/4" valves
BKH-34-KIT-1125	Seal kit Delrin/Viton for 3/4" valves
BKH-1-KIT-1123	Seal kit Delrin/Buna for 1" valves
BKH-1-KIT-1125	Seal kit Delrin/Viton for 1" valves
SKH-114-KIT-3123	Seal kit Delrin/Buna for 1 1/4" valves
SKH-114-KIT-3125	Seal kit Delrin/Viton for 1 1/4" valves
SKH-112-KIT-3123	Seal kit Delrin/Buna for 1 1/2" valves
SKH-112-KIT-3125	Seal kit Delrin/Viton for 1 1/2" valves
SKH-2-KIT-3123	Seal kit Delrin/Buna for 2" valves
SKH-2-KIT-3125	Seal kit Delrin/Viton for 2" valves

NOTE: Other seat and seal kits available. Contact PCI for details.



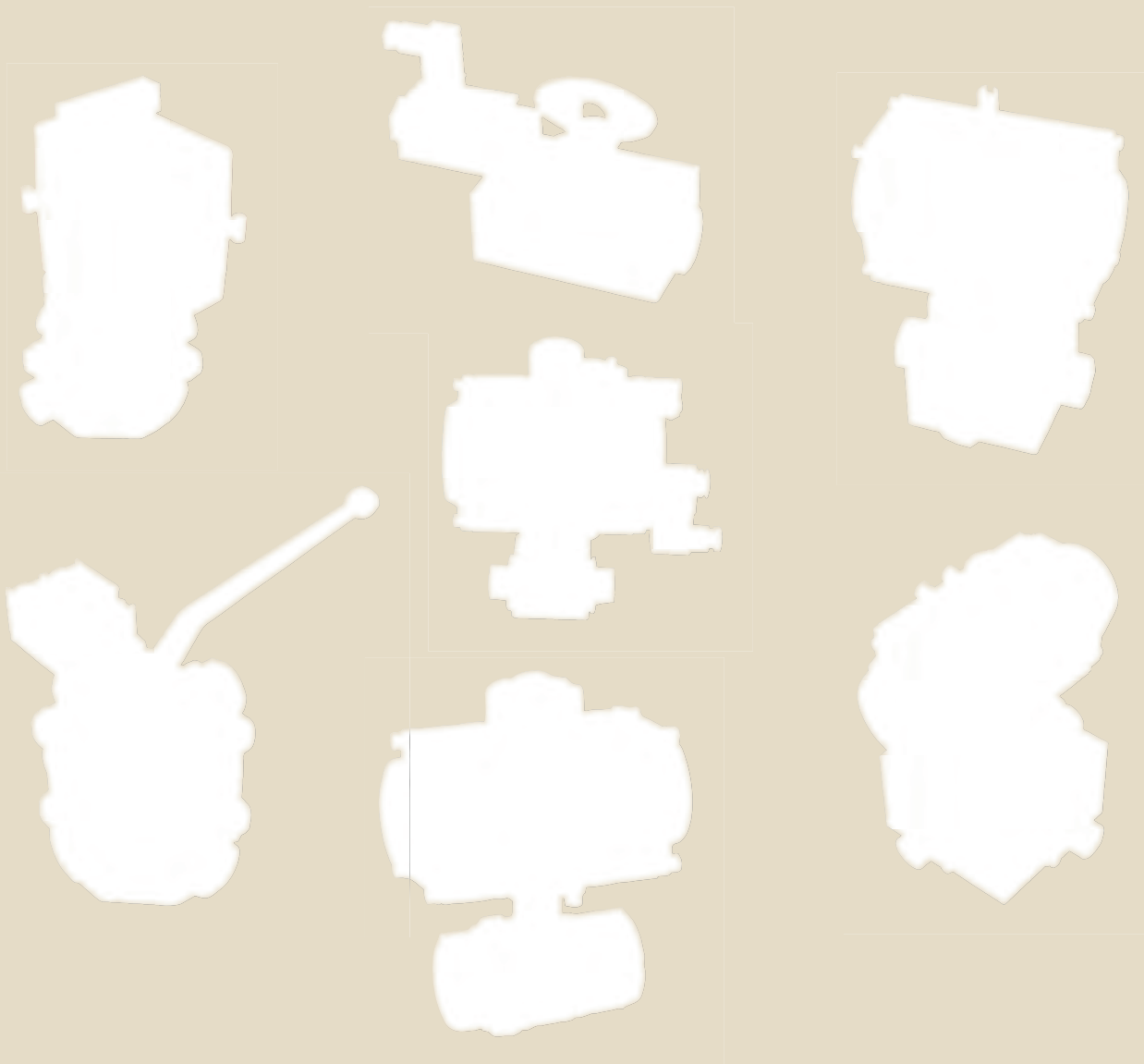
SEAL KITS



See page 65 for full safety information.



PCI offers a wide range of Ball Valves with actuators and limit switches.
Contact us today with your requirements.



VALVES

Please use the following guidelines when requesting a quote:

- Type of actuator (electric, hydraulic or pneumatic?)
- Operation (double acting or spring return?)
- Media? Needs to be specific.
- Maximum system pressure?
- Temperature?
- Environmental (is weatherproofing required?)



See page 65 for full safety information.

High Pressure Ball Valves Quality Information/Warnings

All high pressure ball valves on pages 45 through 64 are manufactured in Germany by Pister® Kugelhähne GmbH.

Pister strives to demonstrate the high quality and reliability of its products. The safety standard is demonstrated through the BAM-Seal, DVGW approval and Vds production and automobile registration. Pister is a certified ISO 9001-2000 company.

Quality management system ensures that the organizational, commercial and technical operations that effect the design quality of our products are planned, controlled and monitored, and that contractually agreed requirements will be met.

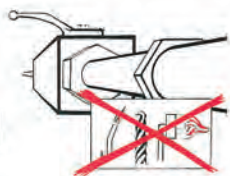
QUALITY CERTIFICATION



Secure adaptor during installation.



No welding, drilling, etc.



Don't operate a ball valve with a tool or an extension.



Don't remove under pressure.



Don't dismantle.



Failure or improper selection or improper use of any of the products and/or systems found in this catalog can cause death, personal injury and/or property damage.

This catalogue and other information from PISTER-Kugelhähne GmbH provides product options for further investigation by users having technical expertise. It is important that you analyze all aspects of your application and review the information concerning the product in the current product catalogue. Due to the variety of operating conditions and applications for these products, the user, through its own analysis and testing, is solely responsible for making the final selection of the products and assuring that all performance, safety and warning requirements of the application are met. The products described herein, including without limitation, product features, specifications, designs, availability and pricing, are subject to change by PISTER-Kugelhähne GmbH at any time without notice.



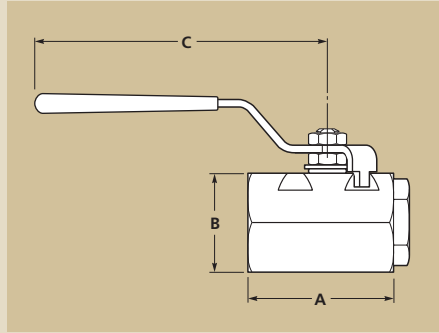
MPV Series – Medium Pressure Ball Valves

SPECIFICATIONS

- Steel body from barstock
- Carbon/graphite filled PTFE seats and seals
- Full port

TEMP. RATING

- -20°F to 425°F



MPV SERIES

SIZE	PART NUMBER	WORKING PRESSURE		THREAD	DIMENSIONS (IN.)		
		PSI	BAR		A	B	C
1/4	MPV-14-NPT	3000	205	1/4" NPTF	2.00	1.06	3.78
1/4	MPV-14-SAE	3000	205	7/16"-20 ORB	2.00	1.06	3.78
3/8	MPV-38-NPT	3000	205	3/8" NPTF	2.00	1.06	3.78
3/8	MPV-38-SAE	3000	205	9/16"-18 ORB	2.00	1.06	3.78
1/2	MPV-12-NPT	3000	205	1/2" NPTF	2.72	1.62	4.78
1/2	MPV-12-SAE	3000	205	3/4"-16 ORB	2.72	1.62	4.78
3/4	MPV-34-NPT	3000	205	3/4" NPTF	3.49	1.88	4.78
3/4	MPV-34-SAE	3000	205	1 1/16"-12 ORB	3.49	1.88	4.78
1	MPV-1-NPT	3000	205	1" NPTF	3.93	2.50	6.10
1	MPV-1-SAE	3000	205	1 5/16"-12 ORB	3.93	2.50	6.10

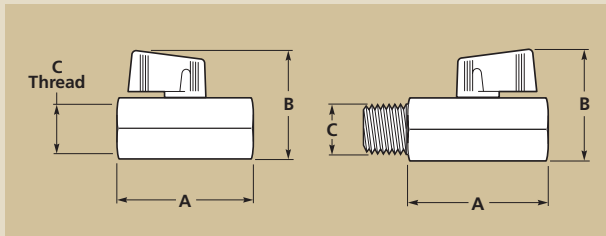
383 Series – Low Pressure Mini Ball Valves

SPECIFICATIONS

- One piece body
- Blowout proof stem
- Viton-O-Rings
- PTFE seats

TEMP. RATING

- 4°F to 200°F



383 SERIES

SIZE	PART NUMBER	PSI	DIMENSIONS (IN.)		
			THREAD (C)	A	B
1/8	383N-18-NPT	450	1/8" F x 1/8 F NPT	1.71	1.50
1/8	383M-18-NPT	450	1/8" F x 1/8 M NPT	1.71	1.50
1/4	383N-14-NPT	450	1/4" F x 1/4 F NPT	1.71	1.50
1/4	383M-14-NPT	450	1/4" F x 1/4 M NPT	1.71	1.50
3/8	383N-38-NPT	450	3/8" F x 3/8 F NPT	1.71	1.50
3/8	383M-38-NPT	450	3/8" F x 3/8 M NPT	1.71	1.50
1/2	383N-12-NPT	450	1/2" F x 1/2 F NPT	2.10	1.73
1/2	383M-12-NPT	450	1/2" F x 1/2 M NPT	2.10	1.73

171N Series Low Pressure Brass Ball Valves

SPECIFICATIONS

- Full port
- Blow-out proof stem
- Double Viton O-Rings
- Glass-filled PTFE seats
- UL listed FM approved

TEMP. RATING

- -22°F to 302°F



REGULAR HANDLE



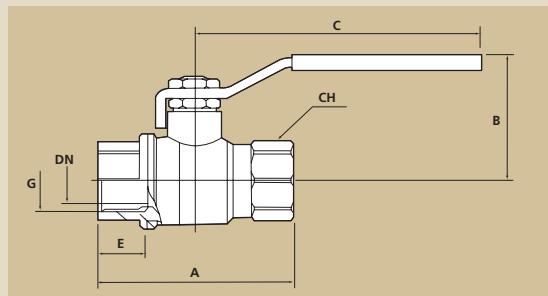
LOCKING HANDLE

REGULAR HANDLE

SIZE	PART NUMBER	PSI	THREAD	DN	DIMENSIONS (IN)				
					B	A	C	E	CH
1/4	171N-14-NPT	600	1/4" NPTF	.39	1.27	1.75	3.54	.46	.78
3/8	171N-38-NPT	600	3/8" NPTF	.41	1.27	1.75	3.54	.46	.78
1/2	171N-12-NPT	600	1/2" NPTF	.58	1.92	2.05	3.54	.52	.78
3/4	171N-34-NPT	600	3/4" NPTF	.74	2.08	2.36	3.78	.56	1.20
1	171N-1-NPT	600	1" NPTF	.94	2.56	2.75	4.52	.66	1.50
1 1/4	171N-114-NPT	600	1 1/4" NPTF	1.26	2.95	3.30	4.52	.70	1.82
1 1/2	171N-112-NPT	600	1 1/2" NPTF	1.57	3.34	3.66	5.51	.72	2.09
2	171N-2-NPT	600	2" NPTF	1.97	3.68	4.18	5.51	.74	2.12
2 1/2	171N-212-NPT	400	2 1/2" NPTF	2.52	4.76	5.38	8.66	1.01	3.36
3	171N-3-NPT	400	3" NPTF	2.95	5.08	6.04	8.66	1.11	3.86
4	171N-4-NPT	400	4" NPTF	3.89	5.86	7.38	9.00	1.22	4.89

LOCKING HANDLE

SIZE	PART NUMBER	PSI	THREAD	DN	DIMENSIONS (IN)				
					B	A	C	E	CH
1/4	171N-14-NPT-LH	600	1/4" NPTF	.31	1.56	1.77	3.23	.47	.78
3/8	171N-38-NPT-LH	600	3/8" NPTF	.39	1.56	1.77	3.23	.47	.78
1/2	171N-12-NPT-LH	600	1/2" NPTF	.59	1.70	2.32	3.94	.61	.98
3/4	171N-34-NPT-LH	600	3/4" NPTF	.78	1.99	2.52	4.73	.67	1.22
1	171N-1-NPT-LH	600	1" NPTF	.98	2.15	3.19	4.73	.83	1.57
1 1/4	171N-114-NPT-LH	600	1 1/4" NPTF	1.29	2.99	3.66	6.22	.90	1.93
1 1/2	171N-112-NPT-LH	600	1 1/2" NPTF	1.57	3.27	4.01	6.22	.90	2.13
2	171N-2-NPT-LH	600	2" NPTF	1.96	3.50	4.73	6.22	1.04	2.70
2 1/2	171N-212-NPT-LH	450	2 1/2" NPTF	2.56	5.20	6.14	10.04	1.26	3.47
3	171N-3-NPT-LH	450	3" NPTF	3.15	5.51	6.98	10.04	1.37	3.90
4	171N-4-NPT-LH	450	4" NPTF	3.94	6.06	8.50	10.04	1.63	4.92





SLB Series Low Pressure Stainless Steel Ball Valves

SPECIFICATIONS

- 316 Stainless body, ball and stem
- Pure PTFE seats
- Blow-out proof stems
- Mounting pad standard
- Lock handle standard
- Full port

TEMP. RATING

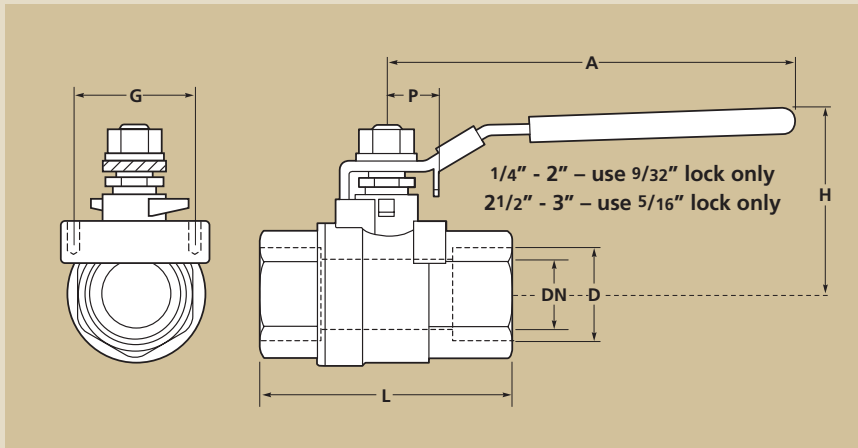
- -20°F to 350°F



SLB SERIES

SIZE	PART NUMBER	PSI	THREAD	D	DN	P	L	G	A	H
1/4	SLB-14-NPT-LH	1000	1/4" NPTF	1/4	.43	.50	1.97	1.12	3.78	2.13
3/8	SLB-38-NPT-LH	1000	3/8" NPTF	3/8	.49	.50	1.97	1.12	3.78	2.13
1/2	SLB-12-NPT-LH	1000	1/2" NPTF	1/2	.63	.50	2.44	1.12	3.78	2.24
3/4	SLB-34-NPT-LH	1000	3/4" NPTF	3/4	.79	.88	2.80	1.38	4.96	2.70
1	SLB-1-NPT-LH	1000	1" NPTF	1	.98	.88	3.27	1.38	4.96	2.85
1 1/4	SLB-114-NPT-LH	1000	1 1/4" NPTF	1 1/4	1.26	.95	3.82	1.50	7.01	3.56
1 1/2	SLB-112-NPT-LH	1000	1 1/2" NPTF	1 1/2	1.50	.95	4.04	1.50	7.01	3.74
2	SLB-2-NPT-LH	1000	2" NPTF	2	2.01	.95	4.92	1.50	7.01	4.11
2 1/2	SLB-212-NPT-LH	1000	2 1/2" NPTF	2 1/2	2.56	1.75	6.02	2.56	9.61	4.72
3	SLB-3-NPT-LH	1000	3" NPTF	3	3.15	1.75	6.85	2.56	9.61	5.16

VALVES



Flow Control and Needle Valves

SPECIFICATIONS

- Micrometer adjustment knob for accurate valve setting
- Rugged construction
- Carbon steel body with black oxide plating
- Zinc alloy handle
- Steel set screw
- Buna-O-Ring/PTFE stem packing

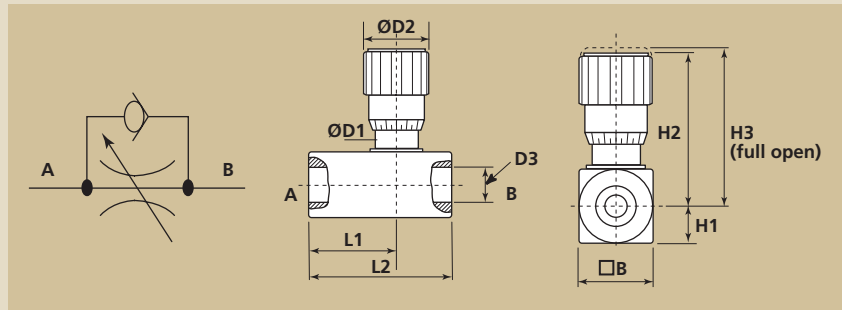
MAXIMUM PRESSURE

- 5000 PSI

TEMP. RATING

- -4°F to 176°F

Replaces the previous NVI and FCV series design



PART NUMBER	SIZE	B	D1	D2	D3	H1	H2	H3	L1	L2	WEIGHT
FCV2818-2	1/4	1.10	0.76	1.18	1/4 NPT	0.55	2.41	2.67	1.54	2.52	0.90 lbs
FCV2818-3	3/8	1.10	0.76	1.18	3/8 NPT	0.55	2.41	2.67	1.69	2.75	0.90 lbs
FCV2818-4	1/2	1.50	0.95	1.46	1/2 NPT	0.75	3.07	3.41	2.05	3.27	2.00 lbs
FCV2818-6	3/4	1.50	0.95	1.46	3/4 NPT	0.75	3.08	3.41	2.19	3.50	2.00 lbs
FCV2818-8	1	1.89	1.38	1.89	1 NPT	0.94	4.03	4.50	2.79	4.60	4.20 lbs
FCV2818-10	1 1/4	2.38	1.96	2.28	1 1/4 NPT	1.18	5.25	5.88	3.39	6.07	9.55 lbs
FCV2818-3-SAE	3/8	1.10	0.76	1.18	06 SAE	0.55	2.41	2.67	1.69	2.75	0.90 lbs



FLOW CONTROL VALVE

SPECIFICATIONS

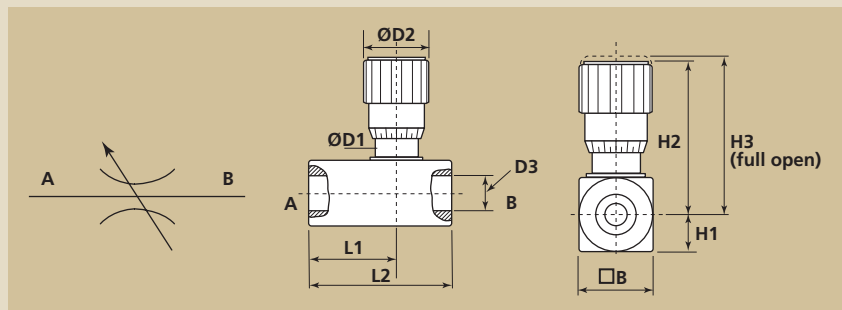
- Micrometer adjustment knob for accurate valve setting
- Rugged construction
- Carbon steel body with black oxide plating
- Zinc alloy handle
- Steel set screw
- Buna-O-Ring/PTFE stem packing

MAXIMUM PRESSURE

- 5000 PSI

TEMP. RATING

- -4°F to 176°F



PART NUMBER	SIZE	B	D1	D2	D3	H1	H2	H3	L1	L2	WEIGHT
NVI2810-2	1/4	1.10	0.76	1.18	1/4 NPT	0.55	2.41	2.67	1.54	2.52	0.90 lbs
NVI2810-3	3/8	1.10	0.76	1.18	3/8 NPT	0.55	2.41	2.67	1.69	2.75	0.90 lbs
NVI2810-4	1/2	1.50	0.95	1.46	1/2 NPT	0.75	3.07	3.41	2.05	3.27	2.00 lbs
NVI2810-6	3/4	1.50	0.95	1.46	3/4 NPT	0.75	3.08	3.41	2.19	3.50	2.00 lbs
NVI2810-8	1	1.89	1.38	1.89	1 NPT	0.94	4.03	4.50	2.79	4.60	4.20 lbs
NVI2810-3-SAE	3/8	1.10	0.76	1.18	06 SAE	0.55	2.41	2.67	1.69	2.75	0.90 lbs



NEEDLE VALVE



STEEL

FEATURES

- Zinc plated body
- Captive Buna-N seal
- One piece body

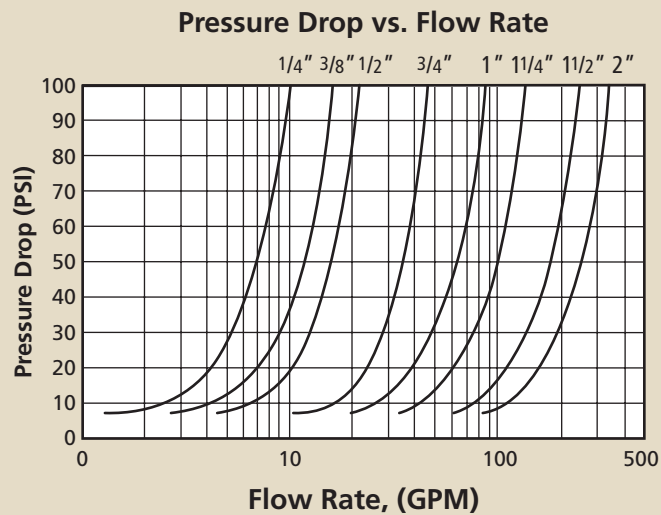
APPLICATIONS

- Agriculture
- Construction
- Hydraulic tools

SPRING PRESSURES

- 7 or 70 PSI

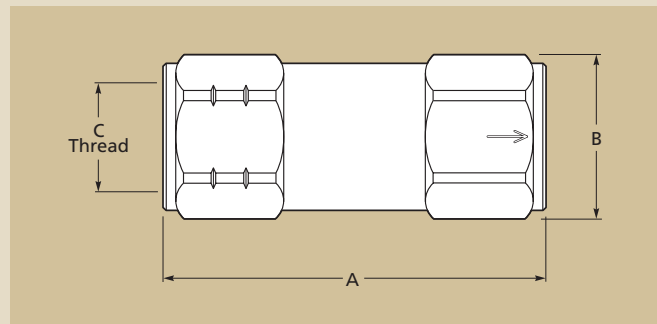
PERFORMANCE



RATED PRESSURE – PSI

BODY SIZE	PSI
1/4	10,150
3/8	10,150
1/2	7250
3/4	7250
1	7250
1 1/4	4350
1 1/2	4350
2	4350

BODY SIZE	PART NUMBER	THREAD C	SPRING	A	B
1/4	VU-14-F-7	1/4 NPT	7 PSI	1.97	.75
1/4	VU-14-F-70	1/4 NPT	70 PSI	1.97	.75
3/8	VU-38-F-7	3/8 NPT	7 PSI	2.36	.91
3/8	VU-38-F-70	3/8 NPT	70 PSI	2.36	.91
1/2	VU-12-F-7	1/2 NPT	7 PSI	2.76	1.06
1/2	VU-12-F-70	1/2 NPT	70 PSI	2.76	1.06
3/4	VU-34-F-7	3/4 NPT	7 PSI	3.39	1.38
3/4	VU-34-F-70	3/4 NPT	70 PSI	3.39	1.38
1	VU-1-F-7	1 NPT	7 PSI	3.94	1.62
1	VU-1-F-70	1 NPT	70 PSI	3.94	1.62
1 1/4	VU-114-F-7	1 1/4 NPT	7 PSI	5.12	2.17
1 1/4	VU-114-F-70	1 1/4 NPT	70 PSI	5.12	2.17
1 1/2	VU-112-F-7	1 1/2 NPT	7 PSI	5.31	2.56
1 1/2	VU-112-F-70	1 1/2 NPT	70 PSI	5.31	2.56
2	VU-2-F-7	2 NPT	7 PSI	5.91	2.95
2	VU-2-F-70	2 NPT	70 PSI	5.91	2.95



VU Series – Soft-Seat Check Valves



RATED PRESSURE – PSI

BODY SIZE	PSI
1/4	5145
3/8	5145
1/2	5145
3/4	4410
1	3675
1 1/4	3675
1 1/2	3675
2	2200

STAINLESS STEEL

FEATURES

- 316 stainless body
- 302 stainless springs
- Viton poppet seal
- Low pressure drop

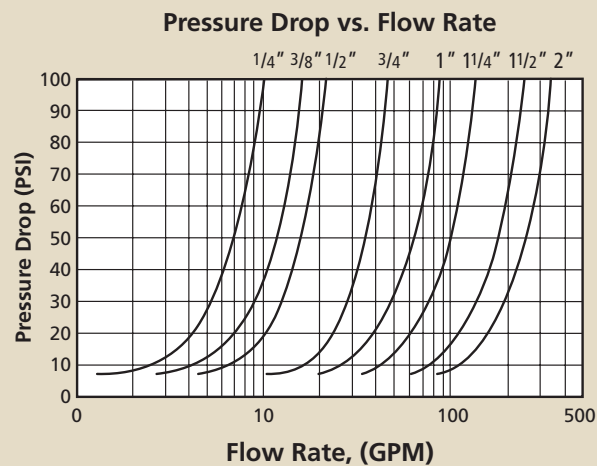
APPLICATIONS

- Construction
- Chemical
- Hydraulic tools

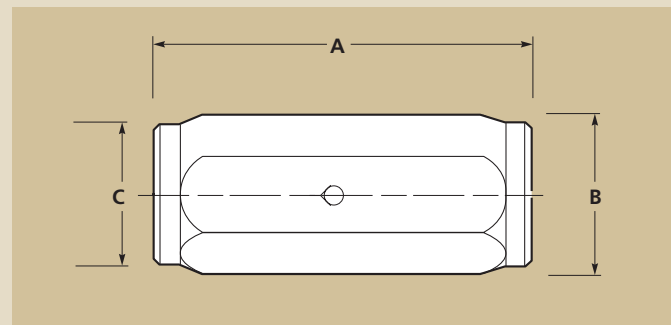
SPRING PRESSURES

- 7 PSI only

PERFORMANCE



BODY SIZE	PART NUMBER	THREAD C	A	B
1/4	VU-14-F-7-SS	1/4 NPT	1.97	.75
3/8	VU-38-F-7-SS	3/8 NPT	2.36	.94
1/2	VU-12-F-7-SS	1/2 NPT	2.56	1.06
3/4	VU-34-F-7-SS	3/4 NPT	2.95	1.34
1	VU-1-F-7-SS	1 NPT	3.66	1.61
1 1/4	VU-114-F-7-SS	1 1/4 NPT	4.33	1.97
1 1/2	VU-112-F-7-SS	1 1/2 NPT	4.41	2.17
2	VU-2-F-7-SS	2 NPT	4.72	2.95





HSP Series Hard Seat Check Valves



STEEL

FEATURES

- Zinc clear plated body (RoHs compliant)
- Metal-to-metal seat
- One-piece body

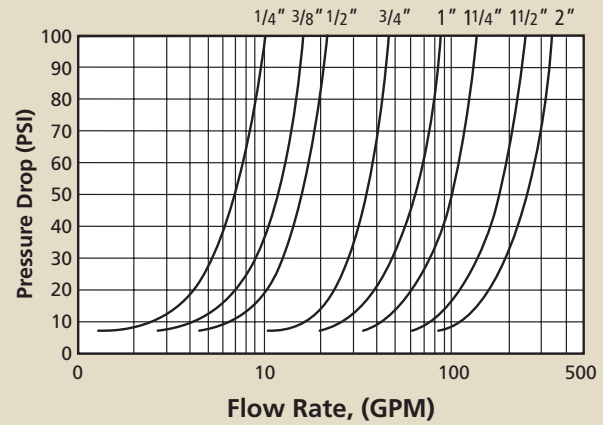
APPLICATIONS

- Hydraulic
- Chemical
- Construction

SPRING PRESSURES

- 5 or 65 PSI

Pressure Drop vs. Flow Rate



NPT

SIZE	PART NUMBER	THREAD	SPRING	DIMENSIONS (IN)	
				B	C
1/4	HSP-1000-2-5	1/4" NPTF	5 PSI	2.44	.87
1/4	HSP-1000-2-65	1/4" NPTF	65 PSI	2.44	.87
3/8	HSP-1000-3-5	3/8" NPTF	5 PSI	2.87	.95
3/8	HSP-1000-3-65	3/8" NPTF	65 PSI	2.87	.95
1/2	HSP-1000-4-5	1/2" NPTF	5 PSI	3.50	1.14
1/2	HSP-1000-4-65	1/2" NPTF	65 PSI	3.50	1.14
3/4	HSP-1000-6-5	3/4" NPTF	5 PSI	4.25	1.50
3/4	HSP-1000-6-65	3/4" NPTF	65 PSI	4.25	1.50
1	HSP-1000-8-5	1" NPTF	5 PSI	5.12	1.69
1	HSP-1000-8-65	1" NPTF	65 PSI	5.12	1.69
1 1/4	HSP-1000-10-5	1 1/4" NPTF	5 PSI	5.56	2.40
1 1/4	HSP-1000-10-65	1 1/4" NPTF	65 PSI	5.56	2.40
1 1/2	HSP-1000-12-5	1 1/2" NPTF	5 PSI	5.56	2.56
1 1/2	HSP-1000-12-65	1 1/2" NPTF	65 PSI	5.56	2.56
2	HSP-1000-16-5	2" NPTF	5 PSI	7.91	3.15
2	HSP-1000-16-65	2" NPTF	65 PSI	7.91	3.15

RATED FLOW

SIZE	GPM
1/4	6
3/8	9.5
1/2	18
3/4	30
1	35
1 1/4	60
1 1/2	90
2	145

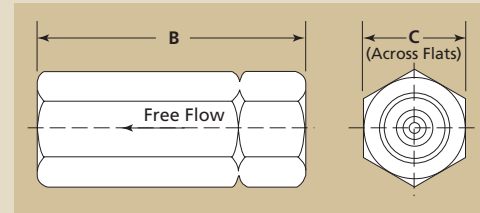
RATED PRESSURE – PSI

SIZE	PSI
1/4	6000
3/8	6000
1/2	5000
3/4	5000
1	5000
1 1/4	3000
1 1/2	3000
2	3000

VALVES

ORB

SIZE	PART NUMBER	THREAD	SPRING	DIMENSIONS (IN)	
				B	C
1/4	HSP-1001-4-5	7/16-20 ORB	5 PSI	2.44	.87
1/4	HSP-1001-4-65	7/16-20 ORB	65 PSI	2.44	.87
3/8	HSP-1001-6-5	9/16-18 ORB	5 PSI	2.87	.95
3/8	HSP-1001-6-65	9/16-18 ORB	65 PSI	2.87	.95
1/2	HSP-1001-8-5	3/4-16 ORB	5 PSI	3.50	1.14
1/2	HSP-1001-8-65	3/4-16 ORB	65 PSI	3.50	1.14
3/4	HSP-1001-12-5	1 1/16-12 ORB	5 PSI	4.25	1.50
3/4	HSP-1001-12-65	1 1/16-12 ORB	65 PSI	4.25	1.50
1	HSP-1001-16-5	1 5/16-12 ORB	5 PSI	5.12	1.69
1	HSP-1001-16-65	1 5/16-12 ORB	65 PSI	5.12	1.69
1 1/4	HSP-1001-20-5	1 5/8-12 ORB	5 PSI	5.56	2.40
1 1/4	HSP-1001-20-65	1 5/8-12 ORB	65 PSI	5.56	2.40
1 1/2	HSP-1001-24-5	1 7/8-12 ORB	5 PSI	5.56	2.56
1 1/2	HSP-1001-24-65	1 7/8-12 ORB	65 PSI	5.56	2.56



Standard Series Clamps – Ordering Example



****A3 – 21.3 – A**

CLAMP SET MATERIAL

Polypropylene (Green) A

GROUP SIZE

Refer to Chart on Page 74

CLAMP SET ID

Refer to Chart on Page 74

DESCRIPTION

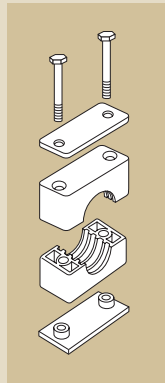
- A** Clamp with Weld Plate, Cover Plate and Bolts
- B** Clamp with Weld Plate, No Cover Plate and Bolts
- SK** Clamp with Stacking Kit
- E** Clamp with Elongated Weld Plate, Cover Plate and Bolts
- R** Clamp with Rail Nuts, Cover Plate and Bolts
- Clamp Set Only

CLAMP SET BORE

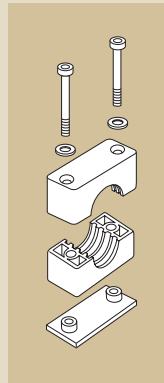
Pipe and tube clamp sizes have a profiled bore. For hose and special applications add "H" to the part number for a smooth bore.

***S" PREFIX = STAINLESS STEEL HARDWARE

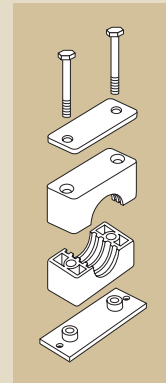
A



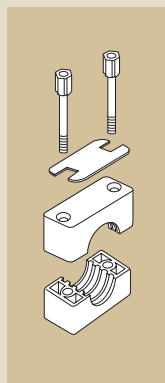
B



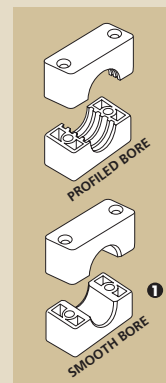
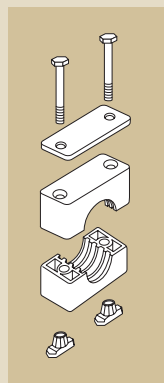
E



SK



R

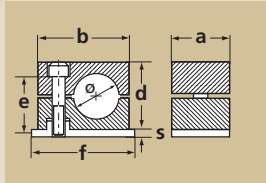


❶ Not available in all sizes. Contact PCI for availability.
NOTE: Certain sizes available in black. Contact PCI for details.

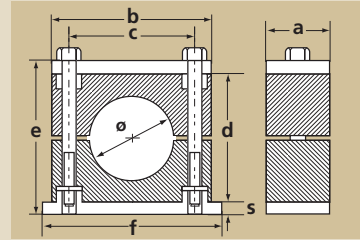


Standard Series – Sizes and Dimensions

Group 0



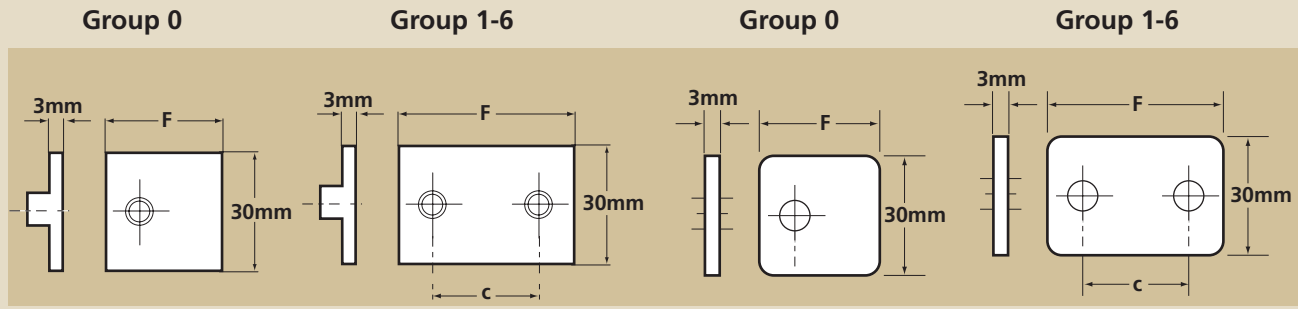
Group 1-6



PCI GROUP	DIN GROUP	DIAMETER				COMPLETE ASSEMBLY PART #	DIMENSIONS							BAG/ QTY.		
		Ø mm	Inch	PIPE NOMINAL BORE	TUBE O.D.		A	B	C	D	F	S	E			
0	0	6	0.24			A0-06-A										
		8	0.31		5/16"	A0-08-A	30mm	28mm	-	27mm	32mm	3mm	33mm		50	
		10	0.39	1/8"		A0-10-A	1.18"	1.10"	-	1.06"	1.26"	.12"	1.30"			
		12	0.47			A0-12-A										
1	1	6	0.24			A1-06-A										
		6.4	0.25		1/4"	A1-6.4-A										
		8	0.31		5/16"	A1-08-A	30mm	34mm	20mm	27mm	42mm	3mm	33mm		50	
		9.5	0.37		3/8"	A1-9.5-A	1.18"	1.34"	.79"	1.06"	1.65"	.12"	1.30"			
		10	0.39	1/8"		A1-10-A										
		12	0.47			A1-12-A										
2	2	12.7	0.50		1/2"	A2-12.7-A										
		13.5	0.53	1/4"		A2-13.5-A										
		14	0.55			A2-14-A										
		15	0.59			A2-15-A	30mm	40mm	26mm	33mm	48mm	3mm	39mm		50	
		16	0.63		5/8"	A2-16-A	1.18"	1.57"	1.02"	1.30"	1.89"	.12"	1.54"			
		17.2	0.67	3/8"		A2-17.2-A										
		18	0.71			A2-18-A										
19	0.75			A2-19-A												
3	3	19	0.75		3/4"	A3-19-A										
		20	0.79			A3-20-A										
		21.3	0.84	1/2"		A3-21.3-A	30mm	45mm	33mm	35mm	55mm	3mm	41mm		50	
		22	0.87		7/8"	A3-22-A	1.18"	1.69"	1.30"	1.38"	2.17"	.12"	1.61"			
		25	0.98			A3-25-A										
25.4	1.00		1"	A3-25.4-A												
4	4	26.9	1.06	3/4"		A4-26.9-A										
		28	1.10			A4-28-A	30mm	57mm	40mm	42mm	62mm	3mm	48mm		25	
		30	1.18			A4-30-A	1.18"	2.24"	1.57"	1.65"	2.44"	.12"	1.89"			
		32	1.25		1 1/4"	A4-32-A										
5	5	32	1.25		1 1/4"	A5-32-A										
		33.7	1.33	1"		A5-33.7-A										
		35	1.38			A5-35-A										
		38	1.50		1 1/2"	A5-38-A	30mm	68mm	52mm	58mm	74mm	3mm	64mm		25	
		40	1.57			A5-40-A	1.18"	2.68"	2.05"	2.28"	2.91"	.12"	2.52"			
		42	1.65			A5-42-A										
		42.4	1.67	1 1/4"		A5-42.4-A										
45	1.77			A5-45-A												
6	6	44.5	1.75		1 3/4"	A6-44.5-A	30mm	86mm	66mm	66mm	88mm	3mm	77mm		25	
		48.3	1.90	1 1/2"		A6-48.3-A	1.18"	3.39"	2.60"	2.60"	3.46"	.12"	2.83"			
		50.8	2.00		2"	A6-50.8-A										

Add "S" prefix for stainless steel hardware when ordering a complete clamp assembly. To order a set of inserts only, omit the "A" from the end of the part number.

Standard Series – Components

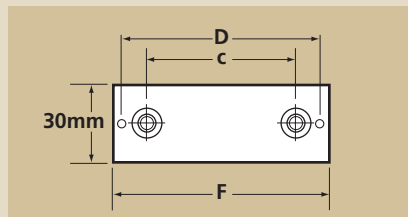


WELD PLATE

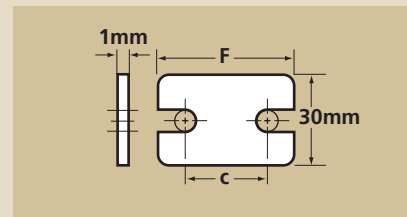
COVER PLATE

GROUP	PART NUMBER	DIMENSIONS		BAG QTY.	PART NUMBER	DIMENSIONS		BAG QTY.
		F	C			F	C	
0	WP0	32mm 1.28"	— —	50	CP0	28mm 1.10"	— —	50
1	WP1	42mm 1.65"	20mm 0.79"	50	CP1	37mm 1.46"	20mm 0.79"	50
2	WP2	48mm 1.89"	26mm 1.02"	50	CP2	43mm 1.69"	26mm 1.02"	50
3	WP3	55mm 2.17"	33mm 1.30"	50	CP3	50mm 1.97"	33mm 1.30"	50
4	WP4	62mm 2.44"	40mm 1.57"	25	CP4	57mm 2.24"	40mm 1.57"	25
5	WP5	74mm 2.91"	52mm 2.05"	25	CP5	69mm 2.72"	52mm 2.05"	25
6	WP6	88mm 3.46"	66mm 2.60"	25	CP6	83mm 3.27"	66mm 2.60"	25

Add "S" prefix for stainless steel hardware.

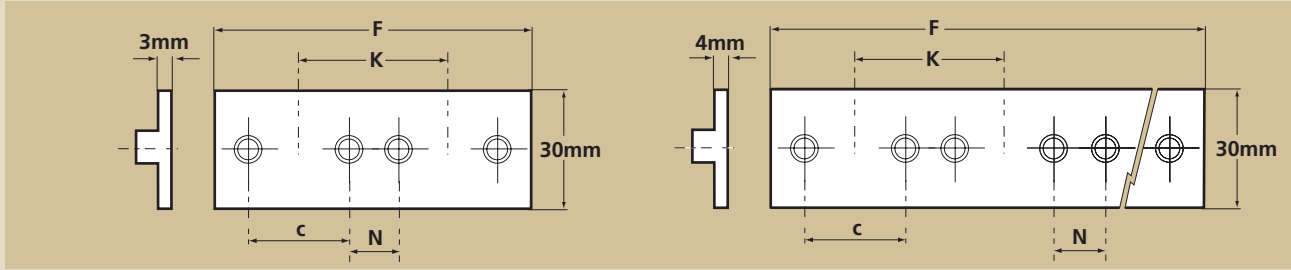


ELONGATED WELD PLATE



SAFETY PLATE

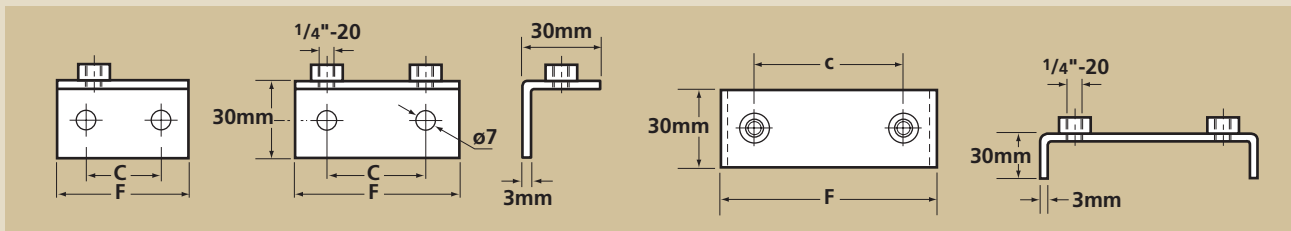
GROUP	PART NUMBER	DIMENSIONS			PART NUMBER	DIMENSIONS		BAG QTY.
		F	C	D		F	C	
0	EWP0	46mm 1.81"	— —	— —	SP0	28mm 1.10"	— —	50
1	EWP1	64mm 2.52"	20mm 0.79"	50mm 2.01"	SP1	34mm 1.34"	20mm 0.79"	50
2	EWP2	70mm 2.76"	26mm 1.02"	56mm 2.20"	SP2	41mm 1.61"	26mm 1.02"	50
3	EWP3	78mm 3.07"	33mm 1.30"	64mm 2.52"	SP3	47mm 1.85"	33mm 1.30"	50
4	EWP4	86mm 3.39"	40mm 1.57"	71mm 2.80"	SP4	57mm 2.24"	40mm 1.57"	25
5	EWP5	97mm 3.82"	52mm 2.05"	83mm 3.27"	SP5	67mm 2.64"	52mm 2.05"	25
6	EWP6	112mm 4.41"	66mm 2.60"	100mm 3.94"	SP6	82mm 3.23"	66mm 2.60"	25



DOUBLE WELD PLATE

MULTIPLE WELD PLATE

GROUP	PART NUMBER	DIMENSIONS				PART NUMBER	DIMENSIONS				CLAMPS PER PLATE
		F	C	N	K		F	C	N	K	
0	DWP0	61mm 2.40"	—	—	30mm 1.18"	MWP0	306mm 12.05"	—	—	30mm 1.18"	10
1	DWP1	81mm 3.19"	20mm 0.79"	20mm 0.79"	40mm 1.57"	MWP1	37mm 1.46"	20mm 0.79"	20mm 0.79"	40mm 1.57"	10
2	DWP2	91mm 3.58"	26mm 1.02"	18mm 0.71"	44mm 1.73"	MWP2	43mm 1.69"	26mm 1.02"	18mm 0.71"	44mm 1.73"	10
3	DWP3	106mm 4.17"	33mm 1.30"	19mm 0.75"	52mm 2.05"	MWP3	50mm 1.97"	33mm 1.30"	19mm 0.75"	52mm 2.05"	10
4	DWP4	121mm 4.76"	40mm 1.57"	20mm 0.79"	60mm 2.36"	MWP4	57mm 2.24"	40mm 1.57"	20mm 0.79"	60mm 2.36"	5
5	DWP5	148mm 5.83"	52mm 2.05"	23mm 0.91"	75mm 2.95"	MWP5	69mm 2.72"	52mm 2.05"	23mm 0.91"	75mm 2.95"	5
6	DWP6	177mm 6.97"	66mm 2.60"	24mm 0.94"	90mm 3.54"	MWP6	83mm 3.27"	66mm 2.60"	24mm 0.94"	90mm 3.54"	5

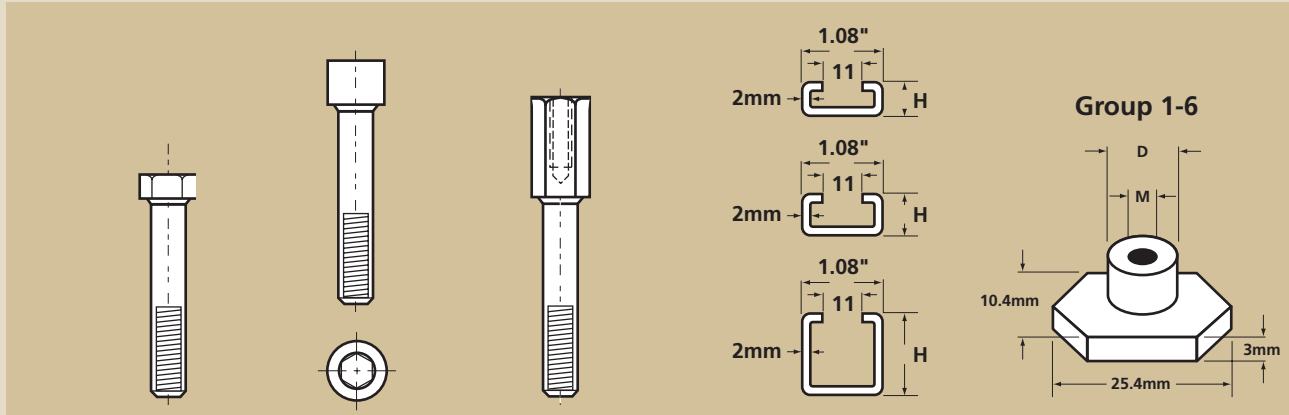


ANGLED WELD PLATE

BRIDGE WELD PLATE

GROUP	PART NUMBER	DIMENSIONS		PART NUMBER	DIMENSIONS	
		F	C		F	C
0	AWP0	32mm 1.26"	14mm .55"	—	—	—
1	AWP1	42mm 1.65"	20mm 0.79"	BWP1	48mm 1.89"	20mm 0.79"
2	AWP2	48mm 1.89"	26mm 1.02"	BWP2	54mm 2.13"	26mm 1.02"
3	AWP3	55mm 2.17"	33mm 1.30"	BWP3	62mm 2.44"	33mm 1.30"
4	AWP4	62mm 2.44"	40mm 1.57"	BWP4	71mm 2.80"	40mm 1.57"
5	AWP5	74mm 2.91"	52mm 2.05"	BWP5	85mm 3.35"	52mm 2.05"
6	AWP6	88mm 3.46"	66mm 2.60"	BWP6	98mm 3.86"	66mm 2.60"

Standard Series – Components



HEX HEAD
BOLT

SOCKET HEAD
CAP SCREW

STACKING
BOLT

MOUNTING
RAIL

RAIL
NUT

GROUP	PART NUMBER SIZE	PART NUMBER SIZE	PART NUMBER SIZE	PART NUMBER		PART NUMBER	
				HEIGHT H	LENGTH L	M	D
0	HB0/1 1/4"-20 x 1 1/4"	SC0/1 1/4"-20 x 3/4"	SB0/1 1/4"-20 x 3/4"	MR-11-1		RNS/T1 1/4"-20	12mm 0.47"
				11mm 0.43	1m 3.28		
1	HB0/1 1/4"-20 x 1 1/4"	SC0/1 1/4"-20 x 3/4"	SB0/1 1/4"-20 x 3/4"	MR-11-2			
				11mm 0.43	2m 6.56		
2	HB2 1/4"-20 x 1 3/8"	SC2 1/4"-20 x 1"	SB2 1/4"-20 x 1"	MR-14-1			
				14mm 0.55	1m 3.28		
3	HB3 1/4"-20 x 1 1/2"	SC3 1/4"-20 x 1 1/4"	SB3 1/4"-20 x 1 1/4"	MR-14-2			
				14mm 0.55	1m 6.56		
4	HB4 1/4"-20 x 1 3/8"	SC4 1/4"-20 x 1 3/8"	SB4 1/4"-20 x 1 3/8"	MR-30-1			
				30mm 1.18	1m 3.28		
5	HB5 1/4"-20 x 2 1/2"	SC5 1/4"-20 x 2"	SB5 1/4"-20 x 2"	MR-30-2			
				30mm 1.18	2m 6.56		
6	HB6 1/4"-20 x 2 3/4"	SC6 1/4"-20 x 2 3/8"	SB6 1/4"-20 x 2 3/8"				

Add "S" prefix for stainless steel bolts.



****AT4 – 26.9 – A**

CLAMP SET MATERIAL
Polypropylene (Green) AT

GROUP SIZE
Refer to Chart on Page 79

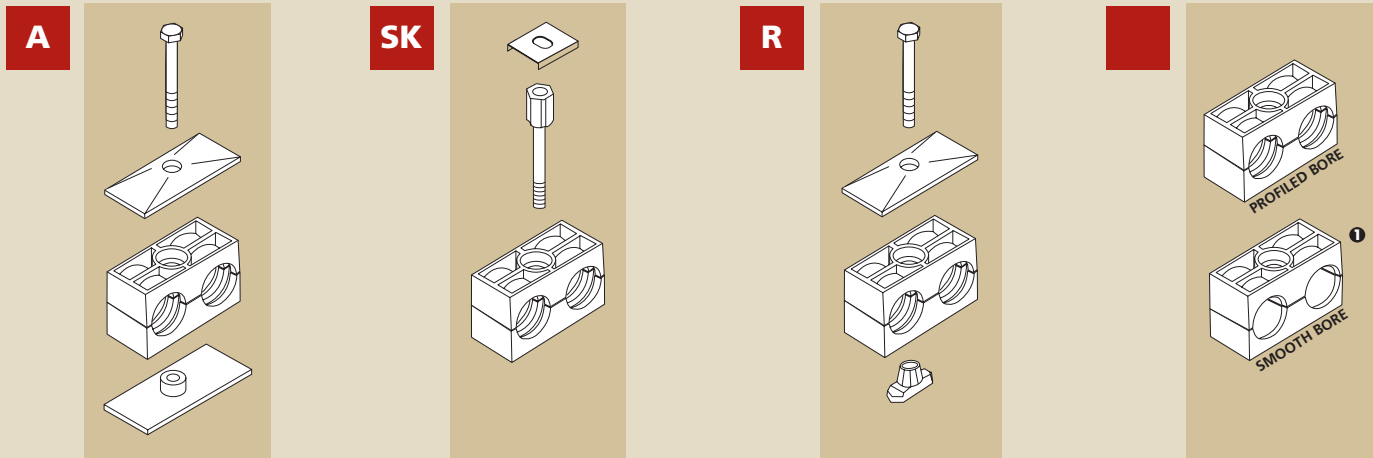
CLAMP SET ID
Refer to Chart on Page 79

DESCRIPTION

- A** Clamp with Weld Plate, Cover Plate and Bolts
- SK** Clamp with Stacking Kit
- R** Clamp with Rail Nuts, Cover Plate and Bolts
- Clamp Set Only

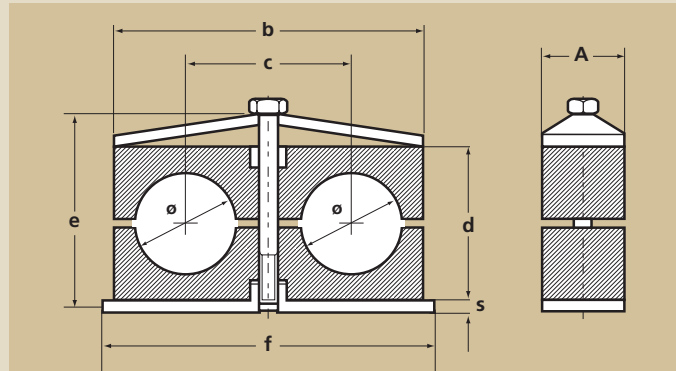
CLAMP SET BORE

Pipe and tube clamp sizes have a profiled bore. For hose and special applications add "H" to the part number for a smooth bore.



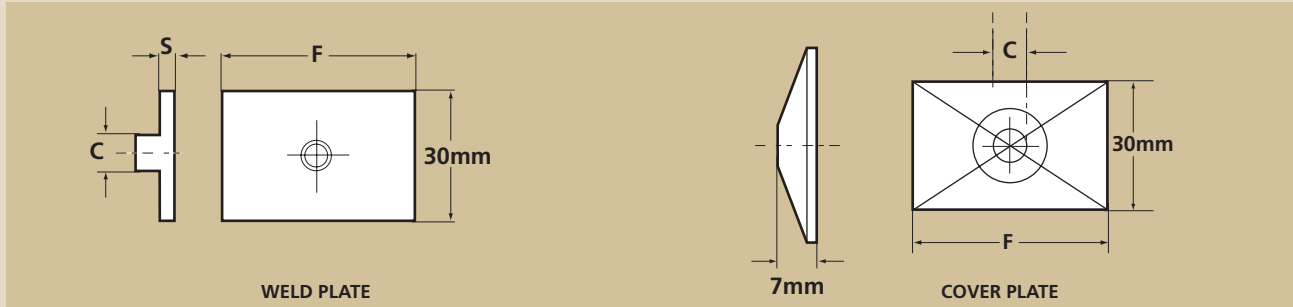
❶ Not available in all sizes. Contact PCI for availability.
NOTE: Certain sizes available in black. Contact PCI for details.

Twin Series – Sizes and Dimensions

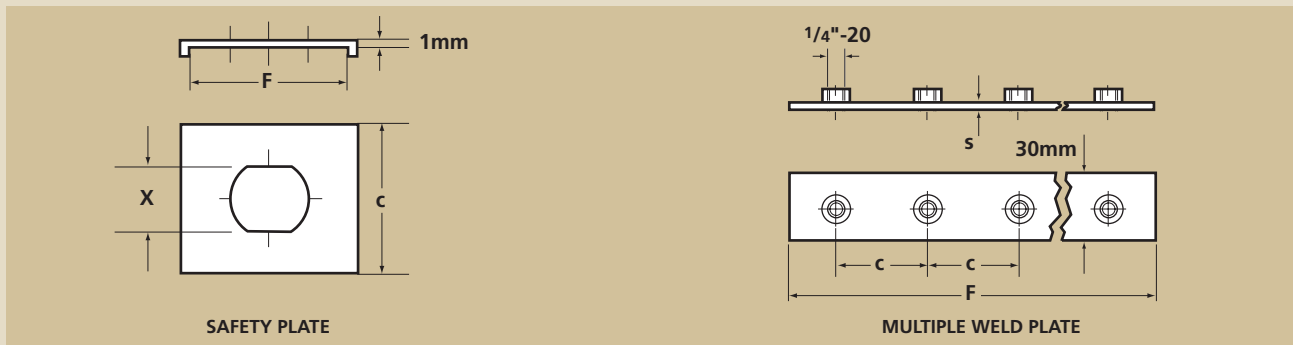


PCI	DIN	DIAMETER				DIMENSIONS							BAG/OTY.	
GROUP	GROUP	Ø mm	Inch	PIPE NOMINAL BORE	TUBE O.D.	COMPLETE ASSEMBLY PART #	A	B	C	D	F	S	E	BAG QTY.
1	1	6	0.24			AT1-06-A								50
		6.4	0.25		1/4"	AT1-6.4-A								
		8	0.31		5/16"	AT1-08-A	30mm	34mm	20mm	25mm	37mm	3mm	35mm	
		9.5	0.37		3/8"	AT1-9.5-A	1.18"	1.34"	.79"	.98"	1.46"	.12"	1.36"	
		10	0.39	1/8"		AT1-10-A								
		12	0.47											
2	2	12.7	0.50		1/2"	AT2-12.7-A								50
		13.5	0.53	1/4"		AT2-13.5-A								
		14	0.55			AT2-14-A								
		15	0.59			AT2-15-A	30mm	53mm	29mm	26mm	55mm	5mm	36mm	
		16	0.63		5/8"	AT2-16-A	1.18"	2.09"	1.14"	1.02"	2.17"	.20"	1.42"	
		17.2	0.67	3/8"										
		18	0.71											
3	3	19	0.75		3/4"	AT3-19-A								50
		20	0.79			AT3-20-A								
		21.3	0.84	1/2"		AT3-21.3-A	30mm	67mm	36mm	37mm	70mm	5mm	47mm	
		22	0.87		7/8"	AT3-22-A	1.18"	2.64"	1.42"	1.46"	2.76"	.20"	1.85"	
		25	0.98			AT3-25-A								
		25.4	1.00		1"	AT3-25.4-A								
4	4	26.9	1.06	3/4"		AT4-26.9-A								25
		28	1.10			AT4-28-A	30mm	82mm	45mm	42mm	85mm	5mm	52mm	
		30	1.18			AT4-30-A	1.18"	3.23"	1.77"	1.65"	3.35"	.20"	2.05"	
5	5	32	1.25		1 1/4"	AT5-32-A								25
		33.7	1.33	1"		AT5-33.7-A								
		35	1.38			AT5-35-A								
		38	1.50		1 1/2"	AT5-38-A	30mm	106mm	56mm	54mm	110mm	5mm	64mm	
		40	1.57			AT5-40-A	1.18"	4.17"	2.20"	2.13"	4.33"	.20"	2.52"	
		42	1.65			AT5-42-A								
		42.4	1.67	1 1/4"										

To order a set of inserts only, omit the "A" from the end of the part number.

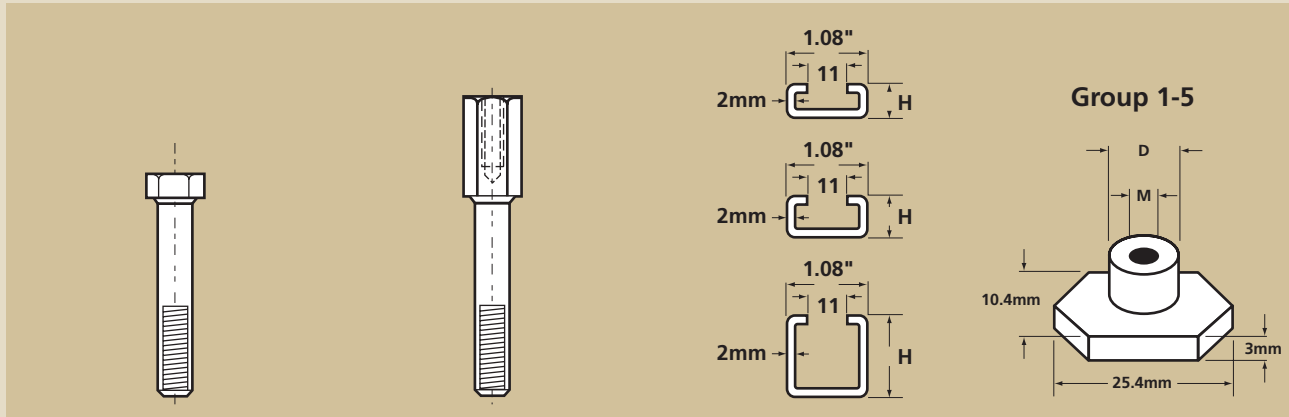


GROUP	PART NUMBER	DIMENSIONS			BAG QTY.	PART NUMBER	DIMENSIONS		BAG QTY.
		F	C	S			F	C	
1	WPT1	37mm 1.46"	12mm 0.79"	3mm 0.12"	50	CPT1	35mm 1.38"	7mm 0.28"	50
2	WPT2	55mm 2.17"	14mm 0.55"	5mm 0.20"	50	CPT2	52mm 2.05"	9mm 0.35"	50
3	WPT3	70mm 2.76"	14mm 0.55"	5mm 0.20"	50	CPT3	66mm 2.60"	9mm 0.35"	50
4	WPT4	85mm 3.35"	14mm 0.55"	5mm 0.20"	25	CPT4	81mm 3.19"	9mm 0.35"	25
5	WPT5	110mm 4.33"	14mm 0.55"	5mm 0.20"	25	CPT5	105mm 4.13"	9mm 0.35"	25



GROUP	PART NUMBER	F	DIMENSIONS		PART NUMBER	F	DIMENSIONS		CLAMPS PER PLATE
			C	X			C	S	
1	SPT1	30mm 1.18"	30mm 1.18"	11mm 0.43"	MWPT1	200mm 7.87"	40mm 1.57"	3mm 0.12"	5
2	SPT2	30mm 1.18"	30mm 1.18"	13mm 0.51"	MWPT2	290mm 11.42"	58mm 2.28"	5mm 0.20"	5
3	SPT3	30mm 1.18"	30mm 1.18"	13mm 0.51"	MWPT3	360mm 14.17"	72mm 2.83"	5mm 0.20"	5
4	SPT4	30mm 1.18"	30mm 1.18"	13mm 0.51"	MWPT4	450mm 17.72"	90mm 3.54"	5mm 0.20"	5
5	SPT5	30mm 1.18"	30mm 1.18"	13mm 0.51"	MWPT5	560mm 22.05"	112mm 4.41"	5mm 0.20"	5

Twin Series – Components



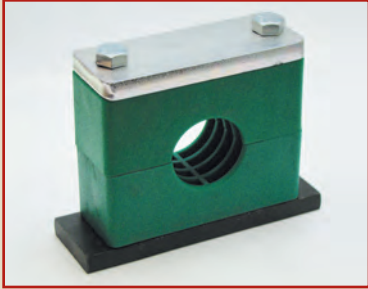
HEX HEAD
BOLT

STACKING
BOLT

MOUNTING
RAIL

RAIL
NUT

GROUP	PART NUMBER SIZE	PART NUMBER SIZE	PART NUMBER		PART NUMBER	
			HEIGHT H	LENGTH L	M	D
1	HB2/T1 1/4"-20 x 13/8"	SBT/1 1/4"-20 x .79"	MR-11-1 11mm 0.43	1m 3.28	RNS/T1 1/4"-20	12mm 0.47"
2	HBT/2 5/16"-18 x 13/8"	SBT/2 5/16"-18 x .79"	MR-14-1 14mm 0.55	1m 3.28	RNT2/5 5/16"-18	14mm 0.55"
3	HBT/3 5/16"-18 x 13/4"	SBT/3 5/16"-18 x 1.14"	MR-14-2 14mm 0.55	2m 6.56		
4	HBT/4 5/16"-18 x 2"	SBT/4 5/16"-18 x 1.34"	MR-30-1 30mm 1.18	1m 3.28		
5	HBT/5 5/16"-18 x 2 1/2"	SBT/5 5/16"-18 x 1.85"	MR-30-2 30mm 1.18	2m 6.56		



****AH3 – 33.7 – A**

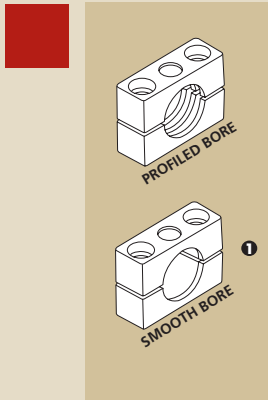
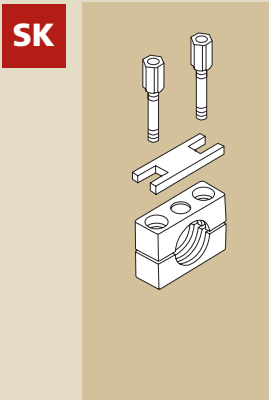
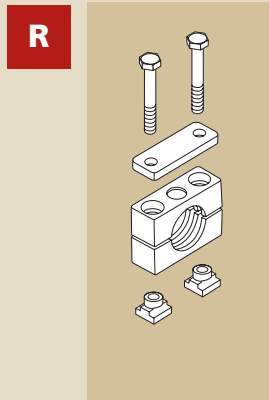
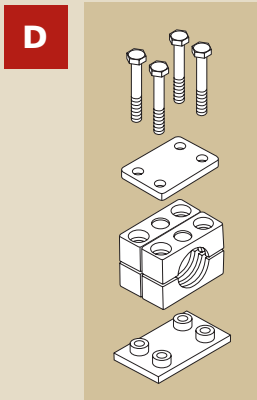
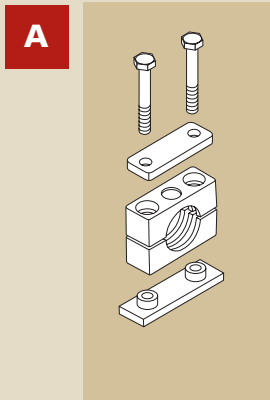
CLAMP SET MATERIAL	
Polypropylene (Green)	A
Aluminum	LH

GROUP SIZE
Refer to Chart on Page 83-84

CLAMP SET ID
Refer to Chart on Page 83-84

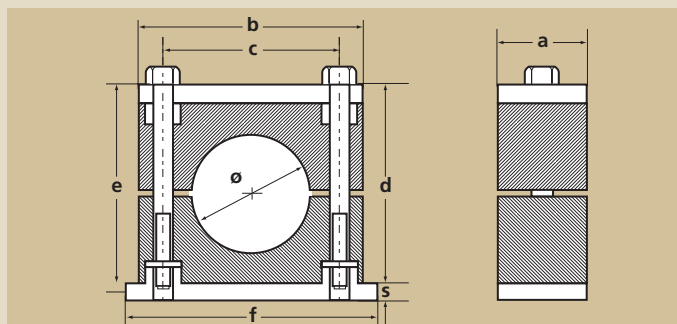
DESCRIPTION	
A	Clamp with Weld Plate, Cover Plate and Bolts
SK	Clamp with Stacking Kit
R	Clamp with Rail Nuts, Cover Plate and Bolts
D	Double Clamp with Weld Plate, Cover Plate and Bolts
	Clamp Set Only

CLAMP SET BORE
Pipe and tube clamp sizes have a profiled bore. For hose and special applications add "H" to the part number for a smooth bore.



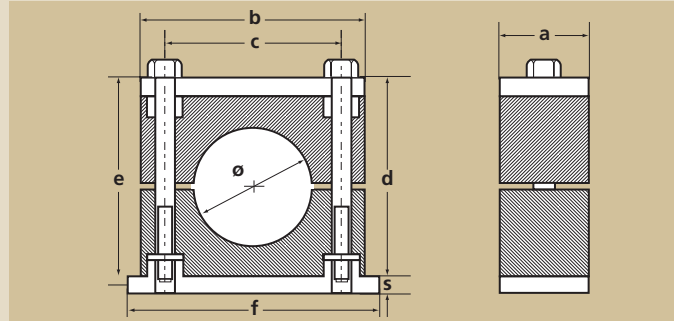
❶ Not available in all sizes. Contact PCI for availability.

Heavy Duty – Sizes and Dimensions – Group 1-4



PCI GROUP	DIN GROUP	DIAMETER		PIPE NOMINAL BORE	TUBE O.D.	COMPLETE ASSEMBLY PART #	DIMENSIONS							BAG QTY.
		Ø mm	Ø Inch				A	B	C	D	F	S	E	
1	1	6	0.24	1/8"	3/8"	AH1-06-A	30mm 1.18"	55mm 2.17"	33mm 1.30"	32mm 1.26"	73mm 2.87"	8mm 0.31"	48mm 1.89"	25
		6.4	0.25			AH1-6.4-A								
		8	0.31			AH1-08-A								
		9.5	0.37			AH1-9.5-A								
		10	0.39			AH1-10-A								
		12	0.47			AH1-12-A								
		12.7	0.50			AH1-12.7-A								
		13.5	0.53			AH1-13.5-A								
		14	0.55			AH1-14-A								
		15	0.59			AH1-15-A								
2	2	19	0.75	1/2"	7/8"	AH2-19-A	30mm 1.18"	70mm 2.76"	45mm 1.77"	48mm 1.89"	85mm 3.35"	8mm 0.31"	76mm 2.52"	25
		20	0.79			AH2-20-A								
		21.3	0.84			AH2-21.3-A								
		22	0.87			AH2-22-A								
		25	0.98			AH2-25-A								
		25.4	1.00			AH2-25.4-A								
		26.9	1.06			AH2-26.9-A								
		28	1.10			AH2-28-A								
30	1.18	AH2-30-A												
3	3	30	1.18	1"	1 1/4"	AH3-30-A	30mm 1.18"	85mm 3.35"	60mm 2.36"	60mm 2.36"	100mm 3.94"	8mm 0.31"	76mm 2.99"	25
		32	1.25			AH3-32-A								
		33.7	1.33			AH3-33.7-A								
		35	1.38			AH3-35-A								
		38	1.50			AH3-38-A								
		40	1.57			AH3-40-A								
		42	1.65			AH3-42-A								
42.4	1.67	AH3-42.4-A												
4	4	38	1.50	1 1/2"	2"	AH4-38-A	45mm 1.77"	120mm 4.72"	90mm 3.54"	90mm 3.54"	140mm 5.51"	10mm 0.39"	110mm 4.33"	—
		42	1.65			AH4-42-A								
		42.4	1.67			AH4-42.4-A								
		44.5	1.75			AH4-44.5-A								
		48.3	1.90			AH4-48.3-A								
		50	1.97			AH4-50-A								
		50.8	2.00			AH4-50.8-A								
		55	2.17			AH4-55-A								
		57	2.24			AH4-57-A								
		60.3	2.37			AH4-60.3-A								
		63.5	2.50			AH4-63.5-A								
65	2.56	AH4-65-A												
70	2.76	AH4-70-A												

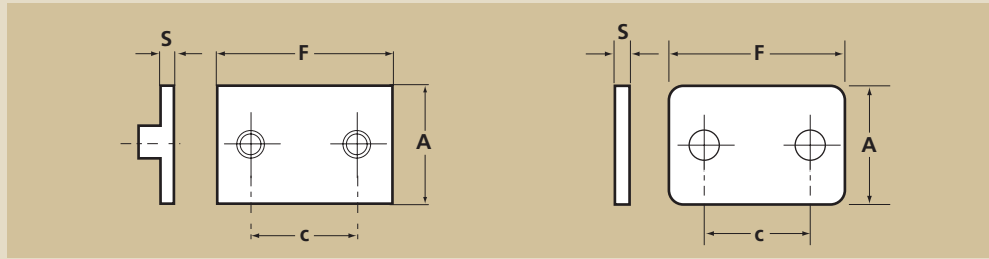
To order a set of inserts only, omit the "A" from the end of the part number.



PCI	DIN	DIAMETER					DIMENSIONS						
GROUP	GROUP	Ø mm	Ø Inch	NOMINAL BORE	PIPE TUBE O.D.	PART #	A	B	C	D	F	S	E
5	5	65	2.56			AH5-65-A	60mm 2.38"	152mm 5.98"	122mm 4.80"	120mm 4.72"	180mm 7.09"	10mm 0.39"	140mm 5.51"
		70	2.76		2 ³ / ₄ "	AH5-70-A							
		75	2.95			AH5-75-A							
		76.1	3.00	2 ¹ / ₂ "	3"	AH5-76.1-A							
		80	3.15			AH5-80-A							
		82.5	3.25		3 ¹ / ₄ "	AH5-82.5-A							
		88.9	3.50	3"	3 ¹ / ₂ "	AH5-88.9-A							
6	6	88.9	3.50	3"	3 ¹ / ₂ "	AH6-88.9-A	80mm 3.15"	205mm 8.07"	168mm 6.61"	170mm 6.69"	225mm 8.86"	15mm 0.59"	200mm 7.87"
		100	3.94			AH6-100-A							
		101.6	4.00	3 ¹ / ₂ "	4"	AH6-101.6-A							
		108	4.25		4 ¹ / ₄ "	AH6-108-A							
		114.3	4.50	4"	4 ¹ / ₂ "	AH6-114.3-A							
		127	5.00	4 ¹ / ₂ "	5"	AH6-127-A							
		133	5.25		5 ¹ / ₄ "	AH6-133-A							
7	7	133	5.25		5 ¹ / ₄ "	AH7-133-A	90mm 3.54"	250mm 9.84"	205mm 8.07"	200mm 7.87"	270mm 10.63"	15mm 0.59"	230mm 9.06"
		139.7	5.50	5"	5 ¹ / ₂ "	AH7-139.7-A							
		152.4	6.00	5 ¹ / ₂ "	6"	AH7-152.4-A							
		165	6.50			AH7-165-A							
		168.3	6.63	6"		AH7-168.3-A							
8	8	168.3	6.63	6"		AH8-168.3-A	120mm 4.72"	320mm 12.60"	265mm 10.43"	270mm 10.63"	340mm 13.39"	25mm 0.98"	320mm 12.60"
		177.8	7.00			AH8-177.8-A							
		193.7	7.63		7 ⁵ / ₈ "	AH8-193.7-A							
		203	8.00		8"	AH8-203-A							
		216	8.50			AH8-216-A							
		219.1	8.63	8"		AH8-219.1-A							

To order a set of inserts only, omit the "A" from the end of the part number.

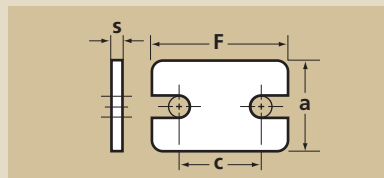
Heavy Duty – Components



WELD PLATE

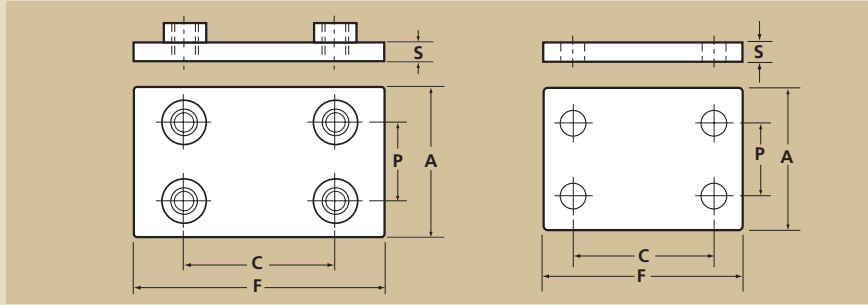
COVER PLATE

GROUP	PART NUMBER	DIMENSIONS				BAG QTY.	PART NUMBER	DIMENSIONS				BAG QTY.
		A	F	C	S			A	F	C	S	
1	WPH1	30mm 1.18"	75mm 2.95"	3mm 1.30"	8mm 0.31"	25	CPH1	30mm 1.18"	55mm 2.17"	33mm 1.30"	8mm 0.31"	25
2	WPH2	30mm 1.18"	87mm 3.43"	45mm 1.77"	8mm 0.31"	25	CPH2	30mm 1.18"	70mm 2.76"	45mm 1.77"	8mm 0.31"	25
3	WPH3	30mm 1.18"	102mm 4.02"	60mm 2.36"	8mm 0.31"	25	CPH3	30mm 1.18"	85mm 3.35"	60mm 2.36"	8mm 0.31"	25
4	WPH4	45mm 1.77"	140mm 5.51"	90mm 3.54"	10mm 0.39"	—	CPH4	45mm 1.77"	120mm 4.72"	90mm 3.54"	10mm 0.39"	—
5	WPH5	60mm 2.36"	180mm 7.09"	122mm 4.80"	10mm 0.39"	—	CPH5	60mm 2.36"	152mm 5.98"	122mm 4.80"	10mm 0.39"	—
6	WPH6	80mm 3.15"	225mm 8.86"	168mm 6.61"	15mm 0.59"	—	CPH6	80mm 3.15"	205mm 8.07"	168mm 6.61"	15mm 0.59"	—
7	WPH7	90mm 3.54"	270mm 10.63"	205mm 8.07"	15mm 0.59"	—	CPH7	90mm 3.54"	250mm 9.84"	205mm 8.07"	15mm 0.59"	—
8	WPH8	120mm 4.72"	340mm 13.39"	265mm 10.43"	25mm 0.98"	—	CPH8	20mm 4.72"	320mm 12.60"	265mm 10.43"	25mm 0.98"	—



SAFETY PLATE

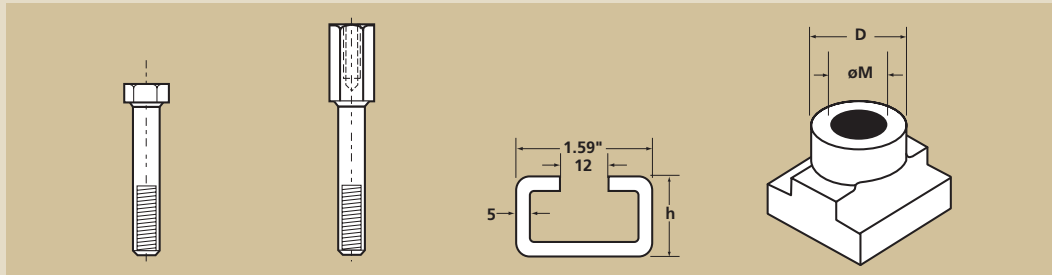
GROUP	PART NUMBER	DIMENSIONS			
		A	F	C	S
1	SPH1	30mm 1.18"	55mm 2.17"	33mm 1.30"	8mm 0.31"
2	SPH2	30mm 1.18"	70mm 2.76"	45mm 1.77"	8mm 0.31"
3	SPH3	30mm 1.18"	85mm 3.35"	60mm 2.36"	8mm 0.31"
4	SPH4	45mm 1.77"	120mm 4.72"	90mm 3.54"	10mm 0.39"
5	SPH5	60mm 2.36"	152mm 5.98"	122mm 4.80"	10mm 0.39"



DOUBLE WELD PLATE

DOUBLE COVER PLATE

GROUP	PART NUMBER	DIMENSIONS					PART NUMBER	DIMENSIONS				
		A	F	S	C	P		A	F	C	S	P
1	WPHD1	60mm 2.36"	74mm 2.91"	8mm 0.31"	33mm 1.30"	31mm 1.22"	CPHD1	60mm 2.36"	56mm 2.20"	8mm 0.31"	33mm 1.30"	31mm 1.22"
2	WPHD2	60mm 2.36"	85mm 3.39"	8mm 0.31"	45mm 1.77"	31mm 1.22"	CPHD2	60mm 2.36"	70mm 2.76"	8mm 0.31"	45mm 1.77"	31mm 1.22"
3	WPHD3	60mm 2.36"	100mm 3.94"	8mm 0.31"	60mm 2.36"	31mm 1.22"	CPHD3	60mm 2.36"	85mm 3.35"	8mm 0.31"	60mm 2.36"	31mm 1.22"
4	WPHD4	90mm 3.54"	140mm 5.51"	10mm 0.39"	90mm 3.54"	46mm 1.81"	CPHD4	90mm 3.54"	116mm 4.57"	10mm 0.39"	90mm 3.54"	46mm 1.81"
5	WPHD5	120mm 4.72"	160mm 7.09"	10mm 0.39"	122mm 4.80"	61mm 2.40"	CPHD5	120mm 4.72"	153mm 6.02"	10mm 0.39"	122mm 4.80"	61mm 2.40"



GROUP	HEX HEAD BOLT	STACKING BOLT	MOUNTING RAIL		RAIL NUT
	PART NUMBER SIZE	PART NUMBER SIZE	PART NUMBER	LENGTH L	PART NUMBER D
1	HBH1 3/8"-16 x 13/4"	SBH1 3/8"-16 x 1.02"	MRH-1	1m 3.28'	RNH1/3 3/8"-16 18 0.71
2	HBH2 3/8"-16 x 21/4"	SBH2 3/8"-16 x 1.61"	MRH-2	2m 6.56'	RNH1/3 3/8"-16 18 0.71
3	HBH3 3/8"-16 x 23/4"	SBH3 3/8"-16 x 2.05"			RNH1/3 3/8"-16 18 0.71
4	HBH4 7/16"-14 x 4"	SBH4 7/16"-14 x 3.27"			RNH4 7/16"-14 20 0.79
5	HBH5 5/8"-11 x 51/4"	SBH5 5/8"-11 x 4.33"			
6	HBH6 3/4"-10 x 71/2"				
7	HBH7 7/8"-9 x 81/2"				
8	HBH8 11/8"-7 x 12"				