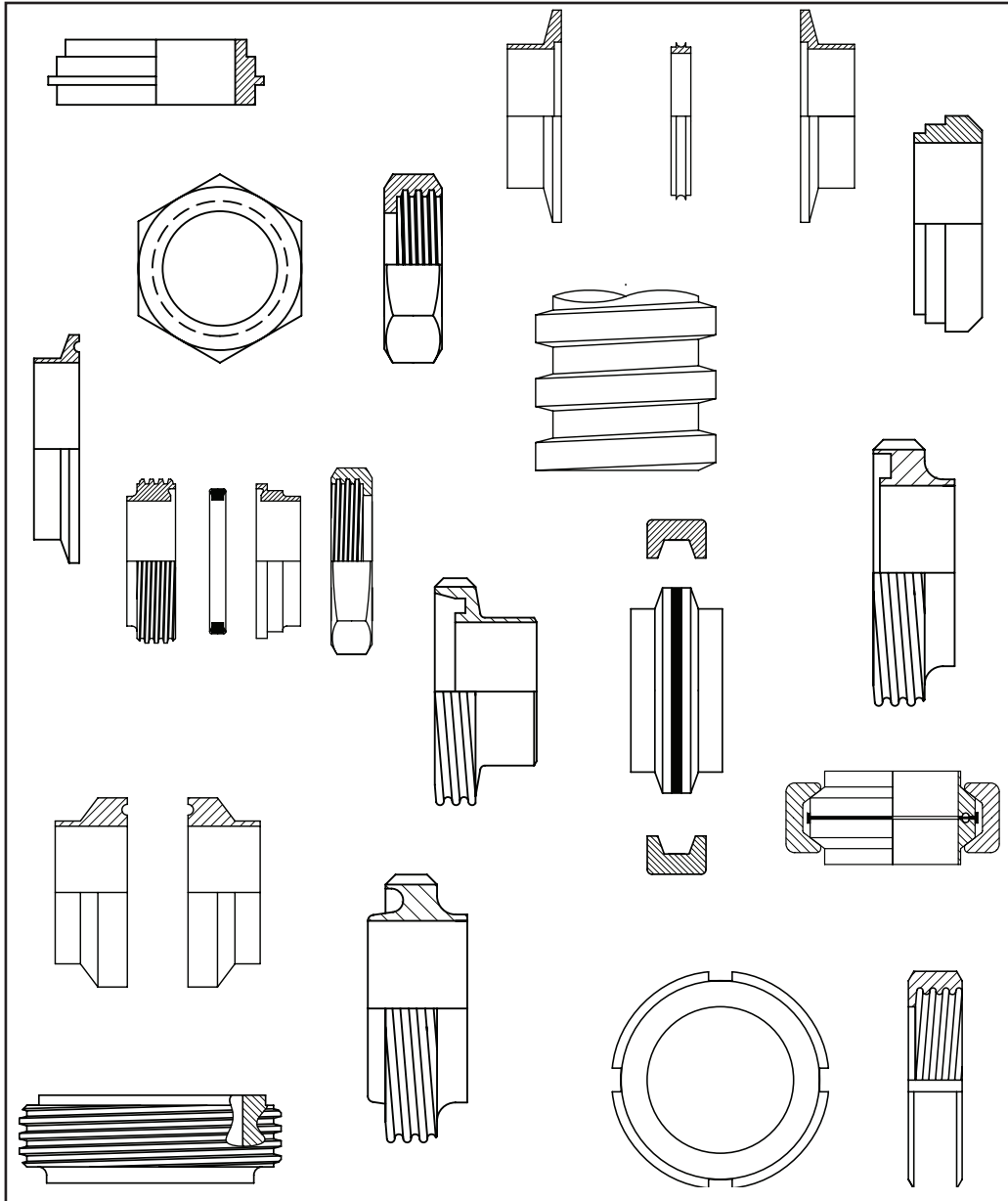




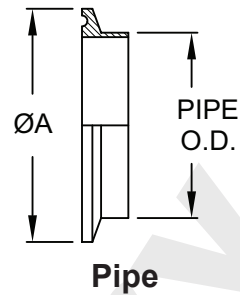
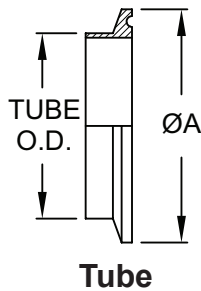
*The Right Connection™*



# **Dixon Sanitary**

## *Sanitary Fittings Identification*

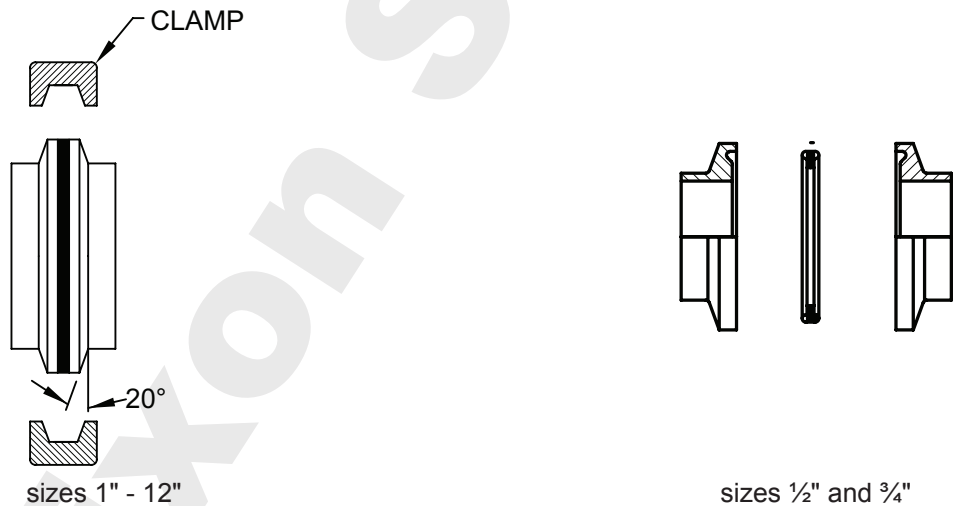
### Clamp Ferrules



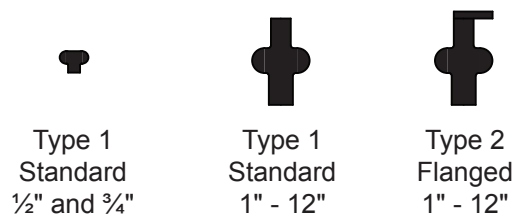
Note: flanges are symmetrical

Tube OD (inches)	ØA	Pipe Size (inches)	Pipe OD (inches)	ØA
1/2	.992	1	1.315	1.984
3/4	.992	1 1/4	1.660	2.516
1	1.984	1 1/2	1.900	2.516
1 1/2	1.984	2	2.375	3.047
2	2.516	2 1/2	2.875	3.579
2 1/2	3.047	3	3.500	4.125
3	3.579	4	4.500	5.125
4	4.682	6	6.625	7.195
5	5.687	8	8.625	9.200
6	6.570			
8	8.602			
10	10.570			
12	12.570			

### Clamp Connection

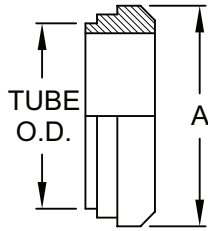


### Gaskets



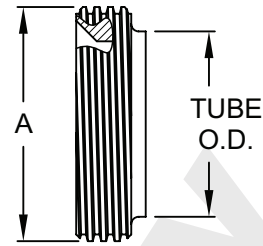
same as BS4B25 part 3

## Bevel Seat Ferrules



**Plain Bevel Seat**

Tube OD (inches)	ØA
1	1.312
1½	1.848
2	2.380
2½	2.912
3	3.444
4	4.508

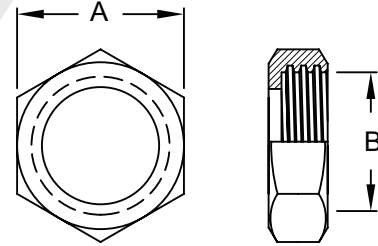


**Threaded Bevel Seat**

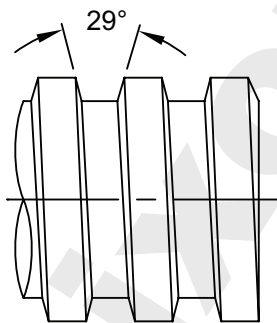
Tube OD (inches)	ØA
1	1.462
1½	1.994
2	2.526
2½	3.058
3	3.590
4	4.695

## 13H Hex Nuts

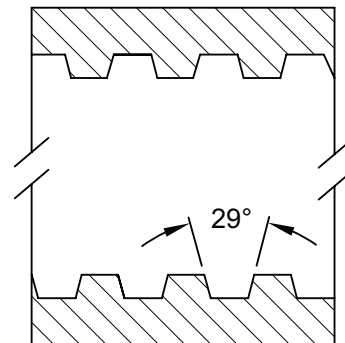
Tube OD (inches)	A Across Flats	B Thread ID	Threads Per Inch
1	1.812	1.362	8
1½	2.406	1.894	8
2	3.000	2.426	8
2½	3.594	2.958	8
3	4.188	3.490	8
4	5.438	4.554	6



## Acme Thread Form



male thread

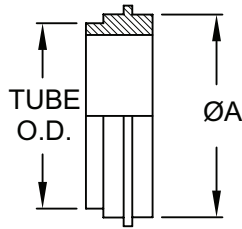


female thread

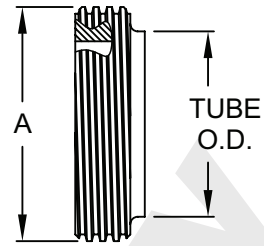
## Gasket



## John Perry Ferrules



**Plain Ferrules**

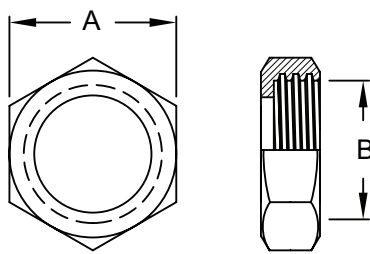


**Threaded Ferrules**

Tube OD (inches)	ØA
1	1.125
1½	1.656
2	2.187
2½	2.656
3	3.187
4	4.187

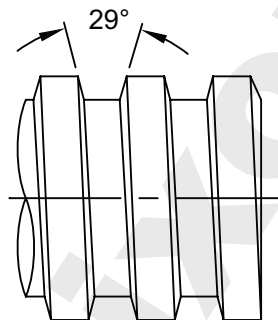
Tube OD (inches)	ØA
1	1.462
1½	1.994
2	2.526
2½	3.058
3	3.590
4	4.695

## 13H Hex Nuts

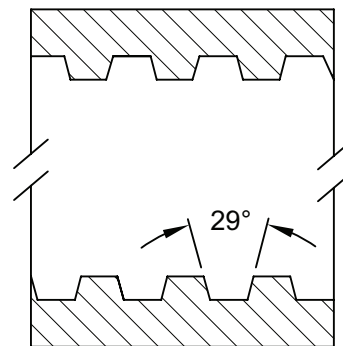


Tube OD (inches)	A Across Flats	B Thread ID	Threads Per Inch
1	1.812	1.362	8
1½	2.406	1.894	8
2	3.000	2.426	8
2½	3.594	2.958	8
3	4.188	3.490	8
4	5.438	4.554	6

## Acme Thread Form



male thread

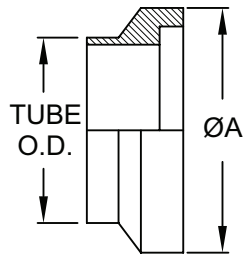


female thread

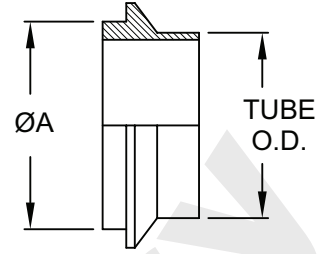
## Gasket



### I-Line Ferrules



**Female Ferrules**

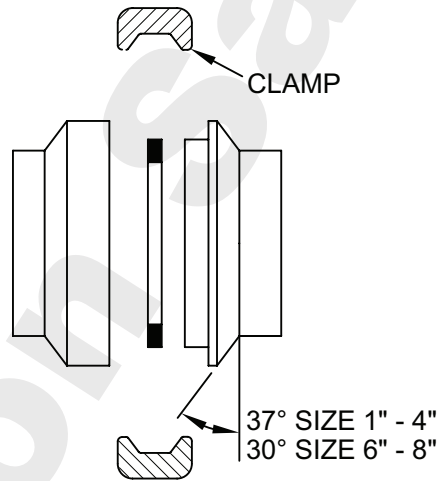


**Male Ferrules**

Tube OD (inches)	ØA
1	1.985
1½	1.985
2	2.640
2½	3.307
3	3.870
4	4.870
6	7.495
8	9.945

Tube OD (inches)	ØA
1	1.250
1½	1.740
2	2.240
2½	2.740
3	3.300
4	4.297
6	6.830
8	8.830

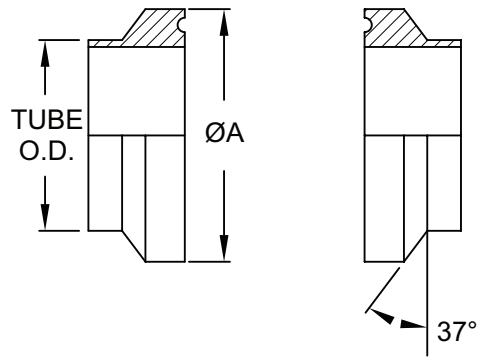
### Clamp Connection



### Gasket



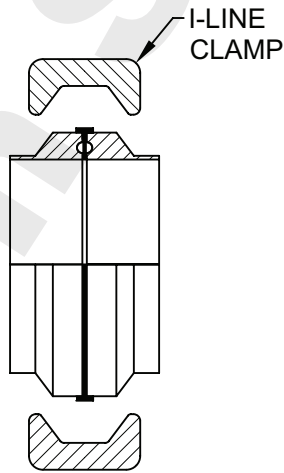
### Q-Line Ferrules



Note: flanges are symmetrical

Tube OD (inches)	ØA
1	1.985
1½	1.985
2	2.640
2½	3.307
3	3.870
4	4.870

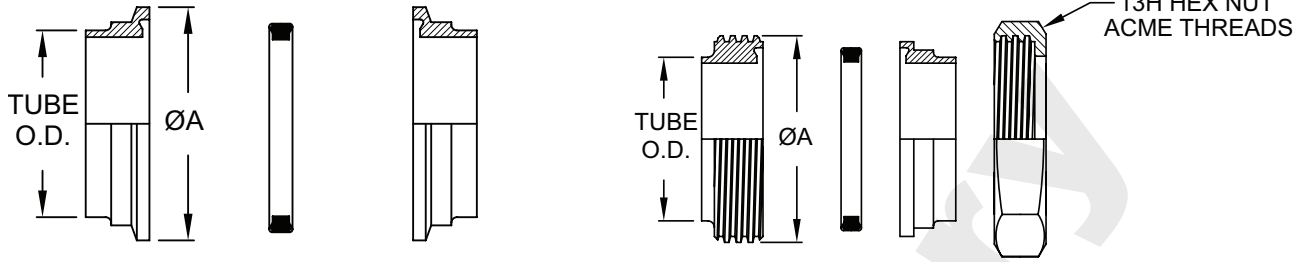
### Clamp Connection



### Gasket



## APC Ferrules



Note: flanges are symmetrical, use standard clamps

### Clamp Ferrules

Tube OD (inches)	ØA
1	1.98
1½	1.98
2	2.52
2½	3.05
3	3.58
4	4.68

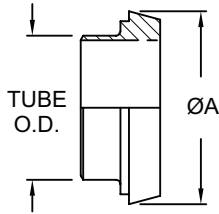
### Threaded Ferrules

Tube OD (inches)	ØA
1	1.462
1½	1.994
2	2.526
2½	3.058
3	3.590
4	4.695

### Gasket

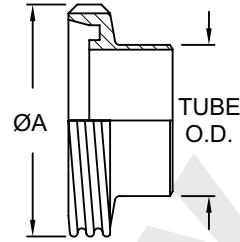


## DIN11851 Imperial Couplings



**Weld Males**

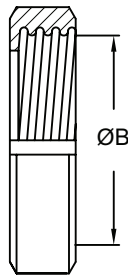
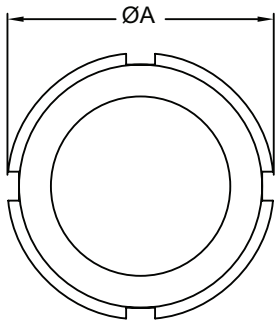
Tube OD (inches)	ØA
1	1.73
1½	2.20
2	2.68
2½	3.39
3	3.94
4	4.76



**Weld Liners**

Tube OD (inches)	ØA
1	2.04
1½	2.56
2	3.07
2½	3.74
3	4.31
4	5.10

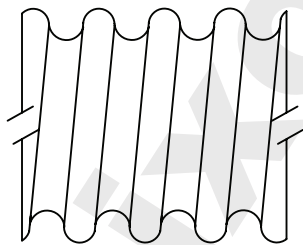
### Round Nut



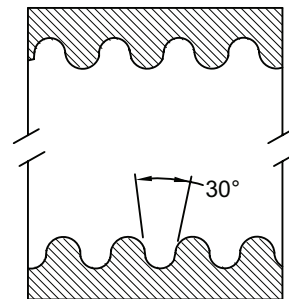
Tube OD (inches)	DN	ØA	B Thread ID	Threads Per Inch
1	25	2.48	1.88	6
1½	40	3.07	2.39	6
2	50	3.62	2.90	6
2½	65	4.41	3.49	6
3	80	5.00	4.14	4
4	100	5.83	4.94	4

Note: nuts 3" and larger will have 6 slots

### DIN Thread Form



male thread



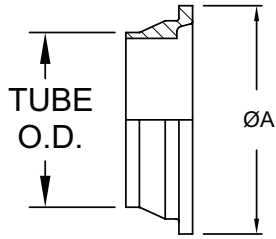
female thread

### Gasket

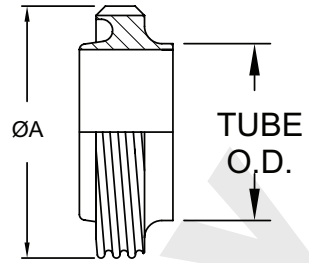




### RJT Couplings (ring joint type)



**Liners**



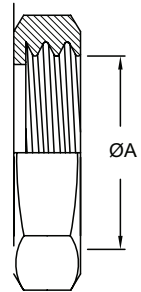
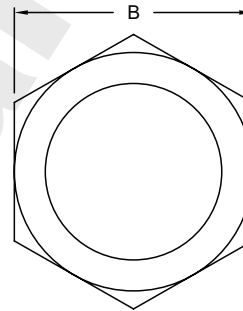
**Males**

Tube OD (inches)	ØA Thread OD
1	1.63
1½	2.13
2	2.63
2½	3.13
3	3.63
4	4.63

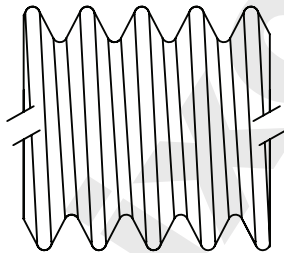
Tube OD (inches)	ØA
1	1.80
1½	2.30
2	2.86
2½	3.36
3	3.86
4	4.86

### Nut

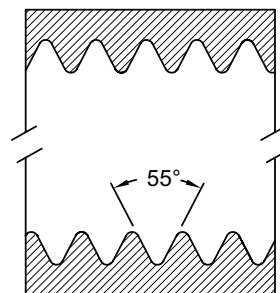
Tube OD (inches)	A Thread ID	B Dimension
1	1.68	2.00
1½	2.18	2.56
2	2.69	3.12
2½	3.19	3.62
3	3.69	4.12
4	4.69	5.12



### RJT Thread Form (British Standard Witworth)



male thread



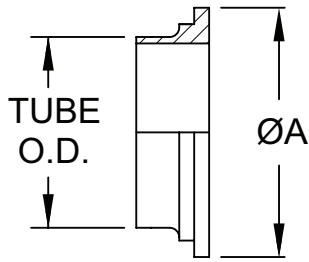
female thread

### Gasket

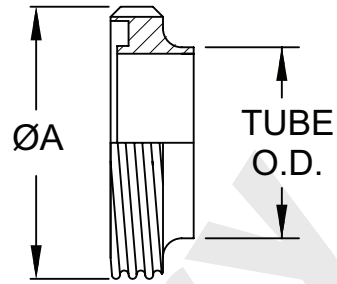


Also known as BSM (British Standard Milk) in Australia modified into Australian CIP Union

### SMS Couplings



**Weld Liners**

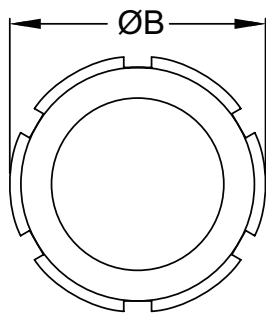


**Weld Males**

Tube OD (inches)	ØA
1	1.40
1½	2.17
2	2.56
2½	3.15
3	3.66
4	4.65

Tube OD (inches)	ØA
1	1.55
1½	2.34
2	2.74
2½	3.33
3	3.84
4	4.90

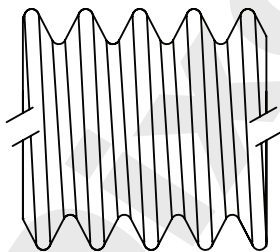
### Nut



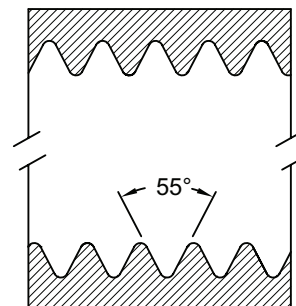
Tube OD (inches)	A Thread ID	B Dimension	Threads Per Inch
1	1.44	2.01	6
1½	2.22	2.91	6
2	2.62	3.31	6
2½	3.21	3.94	6
3	3.72	4.49	6
4	4.72	5.43	4

Note: all nuts have 6 slots

### SMS Thread Form



male thread

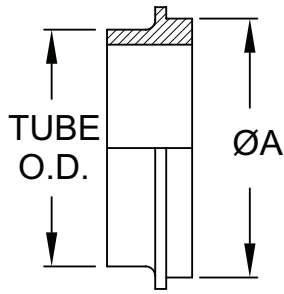


female thread

### Gasket

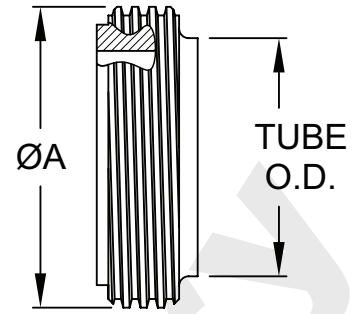


### IDF Couplings



**Weld Liners**

Tube OD (inches)	ØA
1	1.33
1½	1.85
2	2.38
2½	2.91
3	3.44
4	4.75

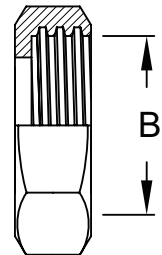
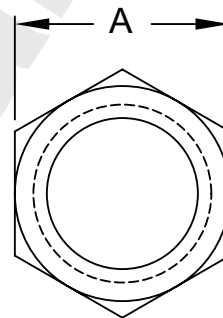


**Weld Males**

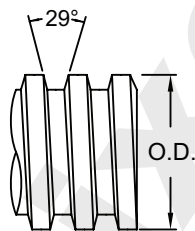
Tube OD (inches)	ØA
1	1.46
1½	1.99
2	2.53
2½	3.06
3	3.59
4	4.96

### Nut

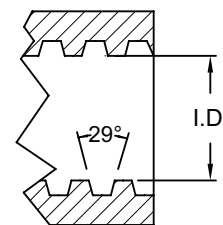
Tube OD (inches)	A Across Flats	B Thread ID	Threads Per Inch
1	1.81	1.35	8
1½	2.36	1.88	8
2	2.95	2.42	8
2½	3.54	2.95	8
3	4.13	3.48	8
4	5.24	4.81	6



### IDF Thread Form (same as Acme thread form)



male thread



female thread

### Gaskets

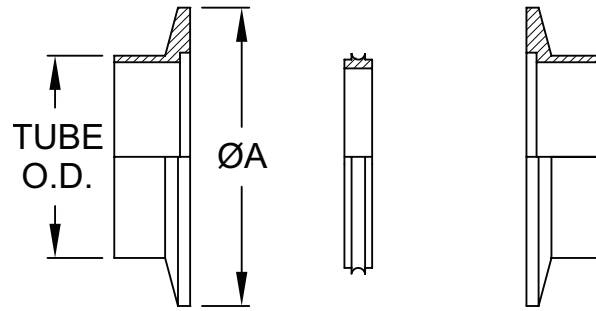


BS4825



ISO

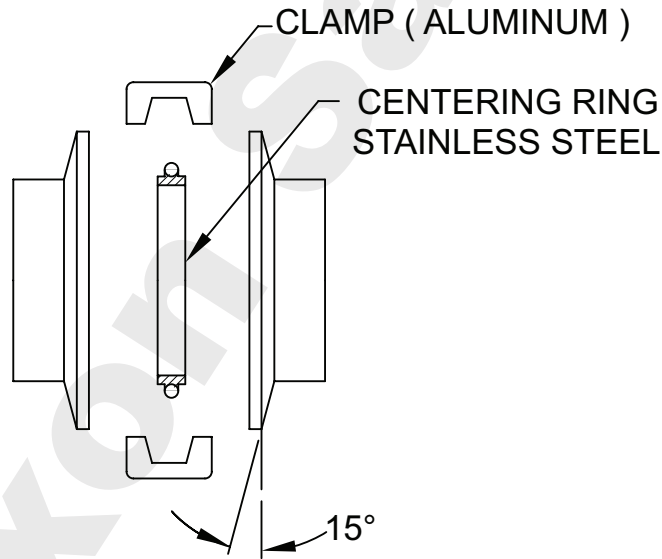
### Vacuum Flanges



Note: flanges are symmetrical

Tube OD (inches)	ØA
1/2	1.18
3/4	1.18
1	1.57
1 1/2	2.16
2	2.95

### Clamp Connection



### Gasket

