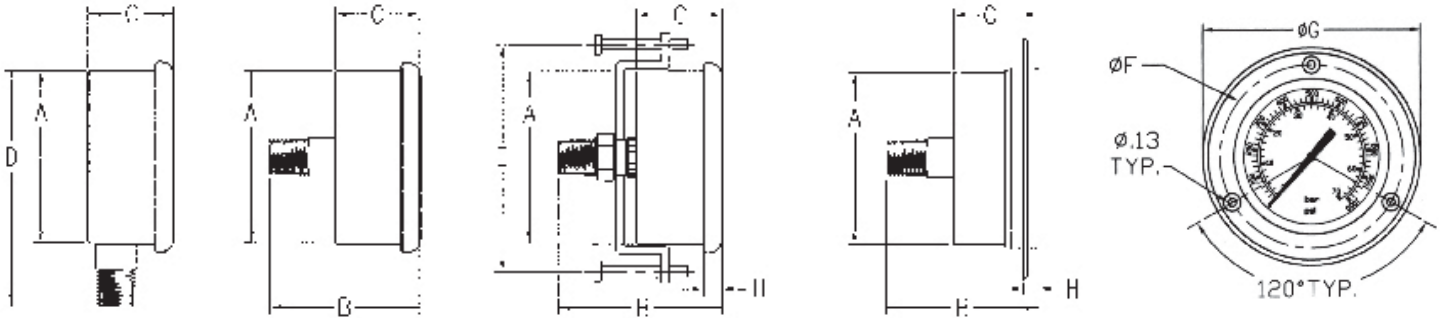


1-1/2" - 2 1/2" Stainless Steel Liquid Filled & Dry

- 304 SS Case
- 316 SS Connection
- 316 SS Bourdon Tube
- Vacuum to 15,000 psi
- Dual Scale PSI & BAR
- Accuracy ± 1.6%
- Ambient Temperature -13° F to 150° F
- Process Temperature max. + 750°F
- Liquid Filled & Dry



INSTALLATION DATA



Size	A	B	C	D	E	F	G	H
1 1/2	1.58	1.98	1.02	1.247 dia.	2.30	-	-	.20
2	1.98	2.21	1.19	1.534 dia.	2.28	2.40	2.76	.24
2 1/2	2.40	2.25	1.18	1.811 dia.	3.18	2.90	3.42	.25

Ordering Example: **PDSS - 1 P - 010 - A - 001**

Model	Size	Type	Range	Style	Options
Designation for all stainless steel gages	4 - 1-1/2" 5 - 2" 1 - 2-1/2"	C - compound V - vacuum P - pressure	002 - 30" Hg -30psi 000 - 30" Hg - 0psi 001 - 15 psi 002 - 30 psi 004 - 60 psi 007 - 100 psi 010 - 160 psi 015 - 200 psi 020 - 300 psi 040 - 600 psi	070 - 1000 psi 100 - 1500 psi 140 - 2000 psi 210 - 3000 psi 280 - 4000 psi 350 - 5000 psi 420 - 6000 psi 700 - 10,000 psi 800 - 15,000 psi	A - stem B - panel clamp D - ctr. back E - panel flange 001 - Glycerine filled 002 - Dry