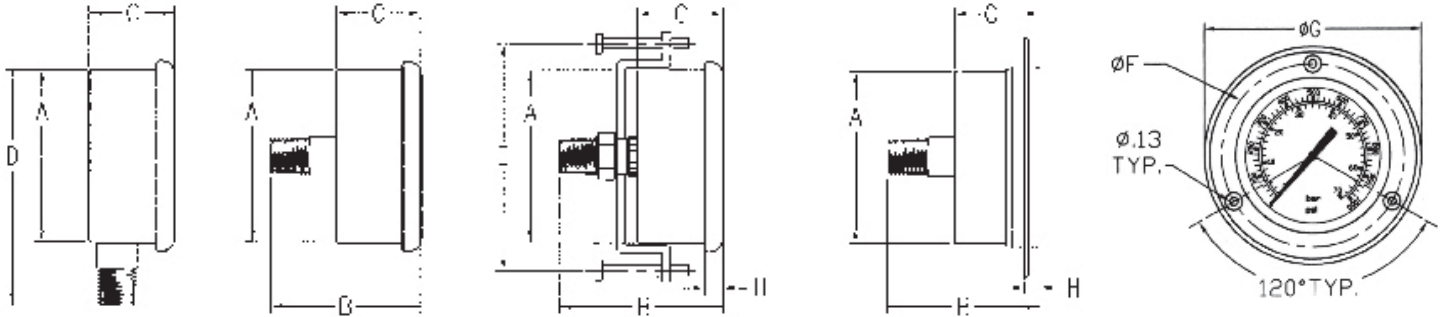


CF Series 1 1/2 - 2 and 2 1/2 Inch Glycerine Filled

- Stainless Steel Case & Bezel
- Phosphor Bronze Bourdon Tube
- Vacuum to 10,000 PSI Range
- Dual Scale PSI & BAR (KPA referenced)
- Accuracy ± 1.6% FSD
- Temperature Range -40° to 180° F
- Bronze Connection



INSTALLATION DATA



Size	A	B	C	D	E	F	G	H
1 1/2	1.58	1.98	1.02	2.47	2.30	-	-	.20
2	1.98	2.21	1.19	3.05	2.28	2.40	2.76	.24
2 1/2	2.40	2.25	1.18	3.45	3.18	2.90	3.42	.25

Ordering Example: **CF** - **1** **P** - **004** - **A**

Model	Size	Type	Range	Style
CF	1 - 2 1/2 dia.	C - compound	002 - 30" Hg -30psi	A - stem
Designation	5 - 2 dia.	V - vacuum	000 - 30" Hg - 0psi	B - panel clamp
for glycerine	*4 - 1 1/2 dia.	P - pressure	001 - 15 psi	D - ctr. back
filled gages			002 - 30 psi	E - panel flange
			004 - 60 psi	
			007 - 100 psi	
			010 - 160 psi	
			015 - 200 psi	
			020 - 300 psi	
			040 - 600 psi	
			070 - 1000 psi	
			100 - 1500 psi	
			140 - 2000 psi	
			210 - 3000 psi	
			280 - 4000 psi	
			350 - 5000 psi	
			420 - 6000 psi	
			700 - 10,000 psi	

*Note: 1 1/2 inch available only as a center back mount port size - 1/8 NPT. Limited to 5000 PSI.

Port Sizes for 2" and 2 1/2" are 1/4 NPT
Special sizes subject to minimum order qty.